

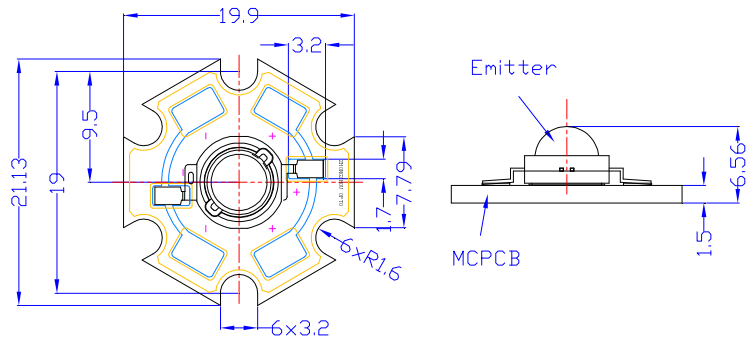
■Features

- Highest Luminous Flux
- Super Energy Efficiency
- Long Lifetime Operation
- Superior ESD protection
- Superior UV Resistance

■Applications

- Electronic Signs And Signals
- Small Area Illuminations
- Back Lighting
- Other Lighting
- Bollards / Security / Garden
- Traffic signaling / Beacons

■Outline Dimension



Unit:mm
Tolerances are for reference only

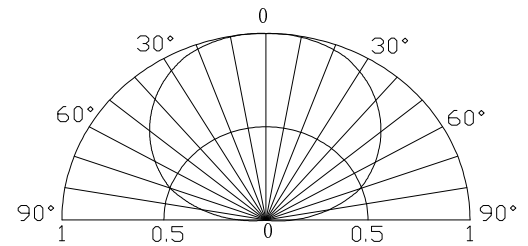
■Absolute Maximum Rating

(Ta=25°C)

Item	Symbol	Value		Unit
		W/M/B/G	R/Y	
DC Forward Current	I _F	800	800	mA
Pulse Forward Current*	I _{FP}	1000	1000	mA
Reverse Voltage	V _R	5	5	V
Power Dissipation	P _D	3200	2400	mW
Operating Temperature	T _{opr}	-40 ~ +85		°C
Storage Temperature	T _{stg}	-40~ +85		°C
Lead Soldering Temperature	T _{sol}	260°C/5sec		-

*Pulse width Max 0.1ms, Duty ratio max 1/10

■Directivity



■Electrical -Optical Characteristics

(Ta=25°C)

Part Number	Color		V _F (V)						I _R (μA)	Φ _v (lm)*			λ _D (nm)*			2θ1/2(deg)
			Min		Typ		Max			Max.	Min.	Typ.	Max.	Min.	Typ.	
			IF=350mA			IF=700mA			V _R =5V							IF=700mA
OSW4XNE3E1S	White	W	3.0	3.3	4.0	3.5	3.8	4.5		10	190	220	-	Typ:6500K		
OSM5XNE3E1S	Warm White	M	3.0	3.3	4.0	3.5	3.8	4.5	10	190	210	-	Typ:3000K			140
OSB4XNE3E1S	Blue	B	3.0	3.3	4.0	3.5	3.8	4.5	10	30	35	-	455	460	465	140
OSG5XNE3E1S	Pure Green	P	3.0	3.3	4.0	3.5	3.8	4.5	10	140	160	-	520	525	530	140
OSY5XNE3E1S	Yellow	Y	2.0	2.3	3.0	2.5	2.8	3.5	10	70	80	-	585	590	595	140
OSR5XNE3E1S	Red	R	2.0	2.3	3.0	2.5	2.8	3.5	10	70	80	-	620	625	630	140

Note: *1. Tolerance of chromaticity coordinates is ±10%

*2. Dominant wavelength tolerance: ±1nm

*3. Tolerance of luminous Flux is ±15%

* Don't drive at rated current more than 5s without heat sink for Xeon 3 emitter series**