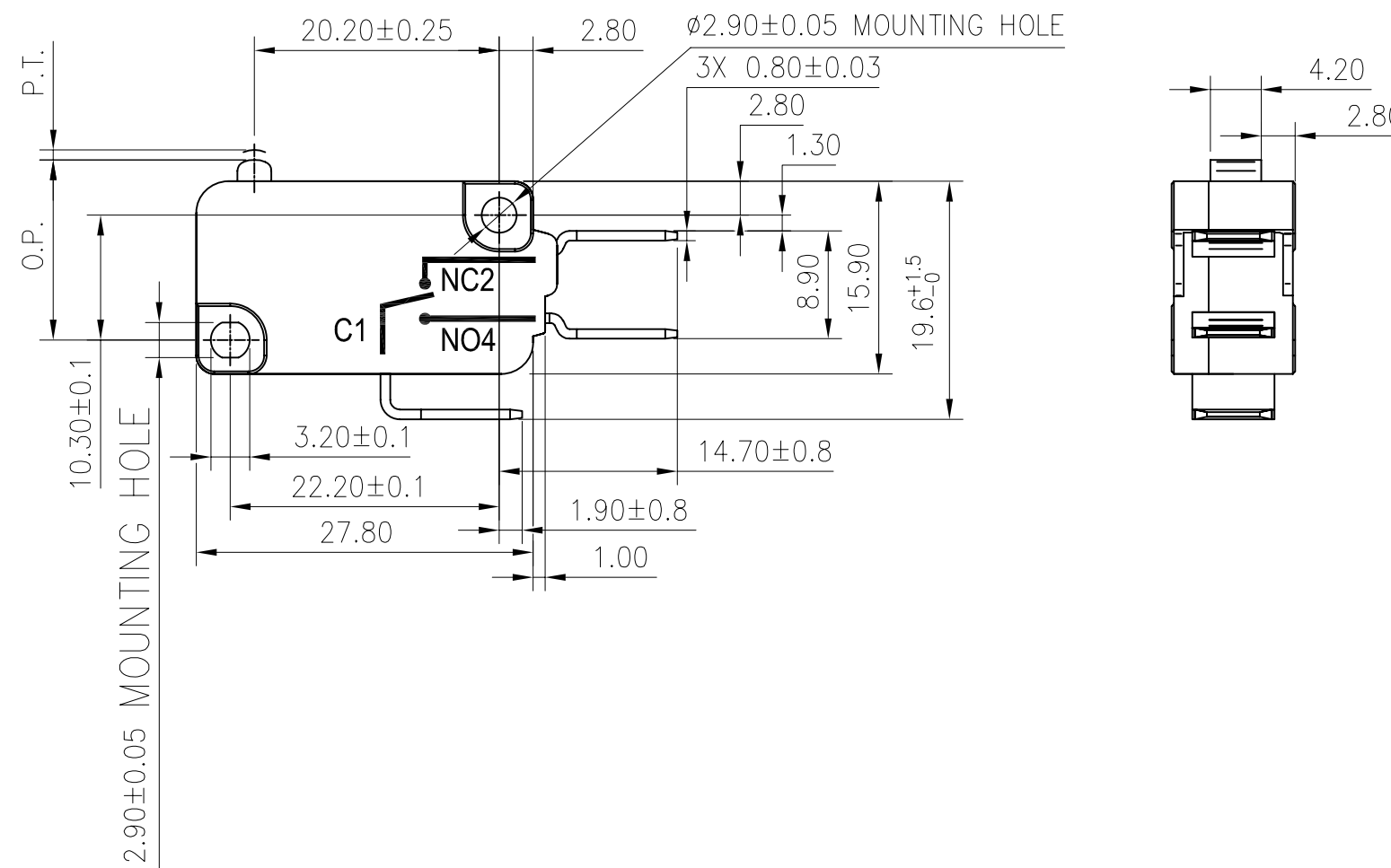
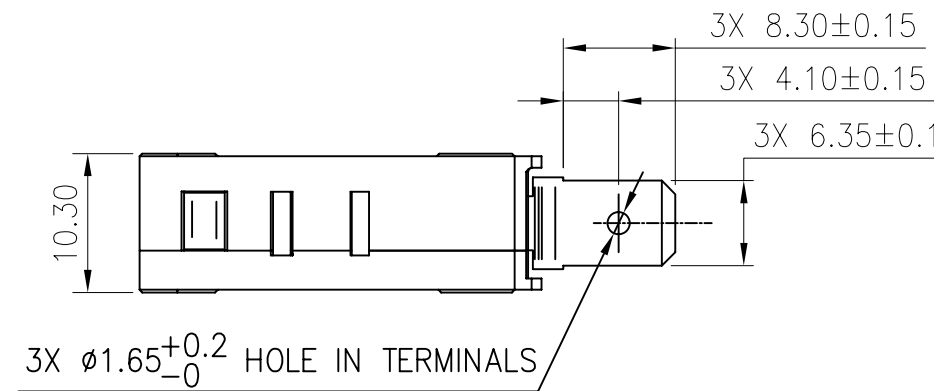




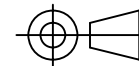
HONEYWELL PART NUMBER
V15H22-CZ100-K
PRODUCT CODE
CFW2050

REV	DOCUMENT	CHANGED BY	CHECK
A	0040063	SS 27MAY08	BLR



NOTES:

1. TERMINALS WILL ACCEPT 6.35mm WIDE QUICK CONNECT RECEPTACLES AND COMPLY WITH EN61058-1 REQUIREMENTS.

CHARACTERISTICS OPERATING FORCE: 100gf MAX. DIFFERENTIAL FORCE: RELEASE FORCE: 25gf MIN. FREE POSITION: OPERATING POSITION: 14.7±0.5MM. PRE-TRAVEL: 1.6MM MAX. DIFFERENTIAL TRAVEL: 0.4MM MAX. OVER-TRAVEL: 0.8MM MIN. FULL OVERTRAVEL FORCE:		ELECTRICAL DATA CONTACT ARRANGEMENT S.P.D.T  22(8)A 250V~ 25T150 µ  22A 1HP 125/250VAC		DESIGN UNITS: MM TOLERANCES UNLESS NOTED: NO PLACE X ± - ONE PLACE .X ± - TWO PLACE .XX ± 0.40 THREE PLACE .XXX ± - ANGLES X ± 2° THIRD ANGLE PROJECTION 		DRAWN KSR 26MAY08 CHECK RJ 26MAY08 THIS DRAWING COVERS A PROPRIETARY ITEM AND IS THE PROPERTY OF HONEYWELL. THIS DRAWING IS NOT TO BE COPIED OR USED WITHOUT THE PERMISSION OF HONEYWELL. INTERPRET PER ASME Y14.5M-1994 OTHER HONEYWELL ENGINEERING STANDARDS MAY APPLY AutoCAD		Honeywell TITLE SWITCH - BASIC				SIZE B TYPE I CAGE CODE DRAWING NAME V15H22-CZ100-K REV A	
						SCALE NTS		SHEET 1 OF 1					