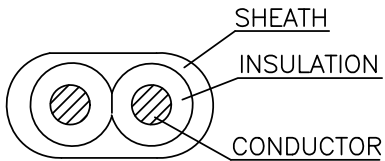


CORD SECTION:



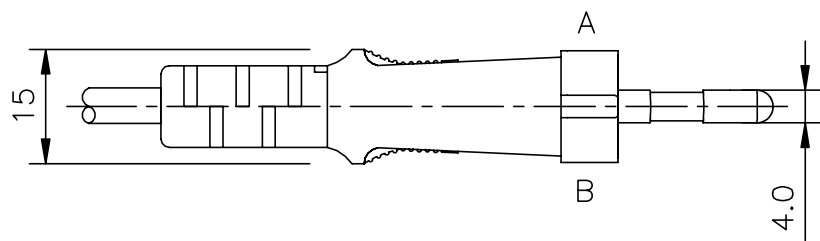
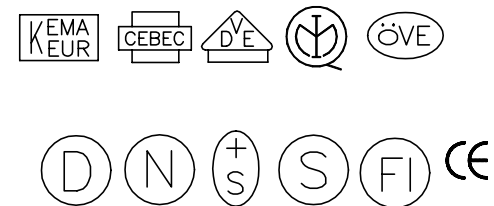
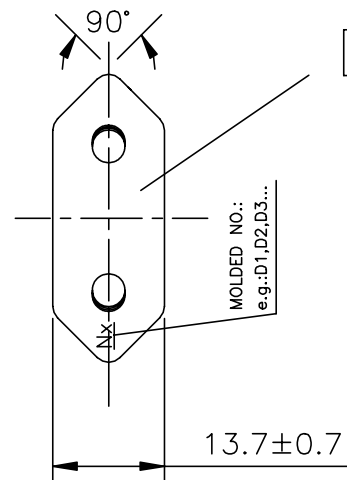
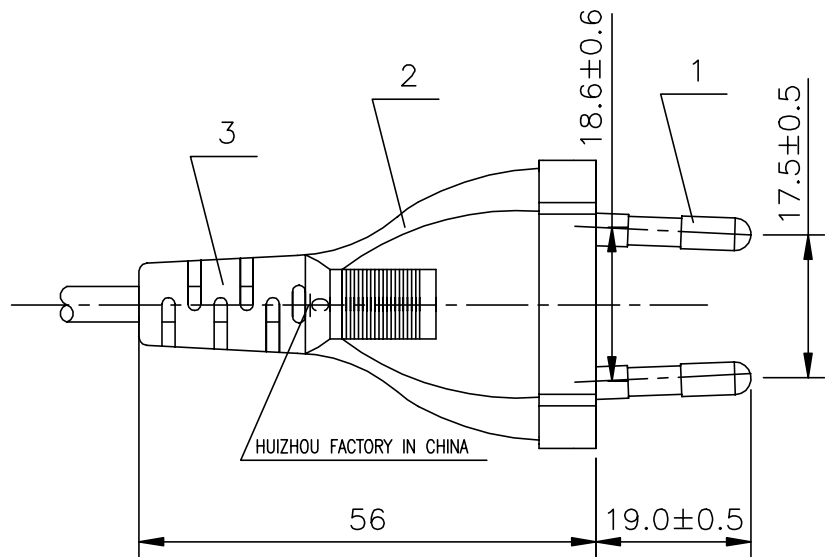
CORD MARKING:

PHINO Cabo H03VVH2-F 2X0.75mm² <VDE> KEMA-KEUR IEMMEQU +++++ <VDE>
 CEBC (S) (N) (D) (FI) SABS SANS 60227-5 60227 IEC 52 300/300V CE Cn -LF-
 ROLL NO: 1,2,3... CHINA FACTORY

1. PVC MOLDED PLUG: PHP-205 (BLACK)
2. PVC FLEXIBLE CORD: H03VVH2-F 2X0.75mm² (BLACK)
3. ELLIPTIC TIE (BLACK)
4. PVC MOLDED CONNECTOR: PHS-204 (BLACK)

NOTE: ALL MATERIALS ARE RoHS COMPLIANCE

P/N:	TINKL/LV	TITLE	POWER SUPPLY CORD		
			PHP-205 TO PHS-204		
		INTERNAL NO.	P205-XXXX-1		
DESIGNED	Wu Zewen 2014.11.27	UNIT	MM	SCALE	FREE
CHECKED		MATERIAL	PHINO		
APPROVED		PROJECTION			



SIDE A: PHINO

TOLERANCE:

SIDE B: PHP-205

>20:±2.0

2.5A 250V~

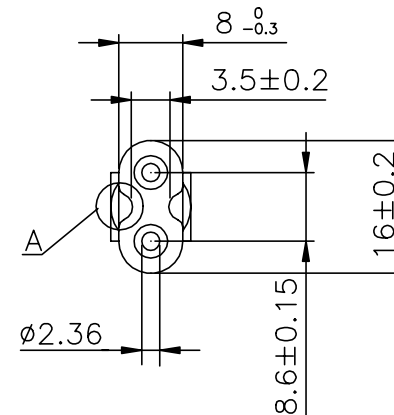
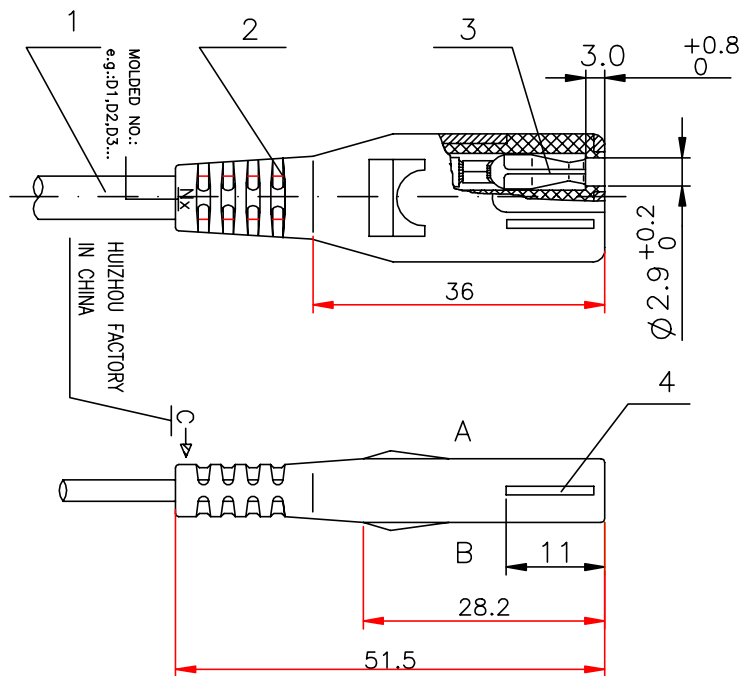
≤20:±1.0

≤10:±0.5

≤1.0:±0.3

- 1. PIN
- 2. PVC MOLDED PLUG:PHP-205
- 3. FLEXIBLE CORD

		TITLE	PHP-205		
		DRAWING NO.	VDE+CE		
DESIGNED	Chenguiquan	UNIT	MM	SCALE	1:1
CHECKED		MATERIAL		PHINO	
APPROVED		PROJECTION			



SIDE A:



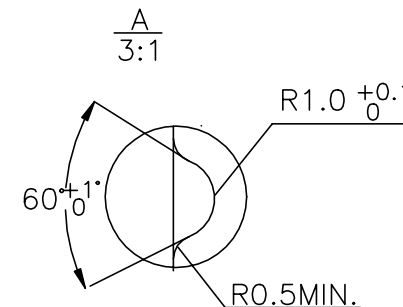
SIDE B:

PHINDO
PHS-204
2.5A 250V~



TOLERANCE:

- >20: ± 2.0
- ≤ 20 : ± 1.0
- ≤ 10 : ± 0.5
- ≤ 1.0 : ± 0.3



1. PVC FLEXIBLE CORD.
2. PVC CONNECTOR BODY .
3. TERMINAL: $\phi 2.36$ PHOSPHOR BRONZE TUBE .
4. INSERT OF CONNECTOR.

		TITLE	PHS-204		
		DRAWING NO.	FS0040079A		
DESIGNED	HE DA FENG	UNIT	MM	SCALE	1:1
CHECKED					
APPROVED		PROJECTION		PHINDO	