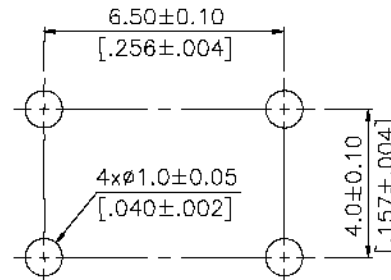
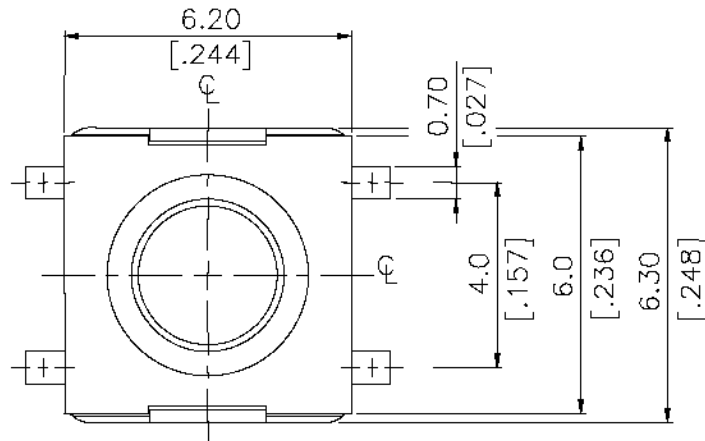
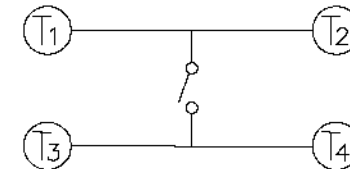


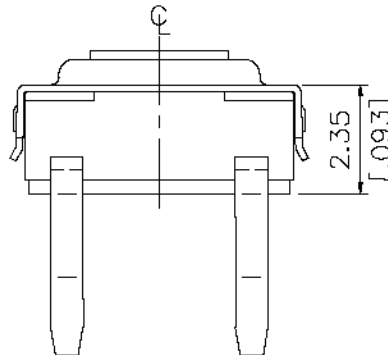
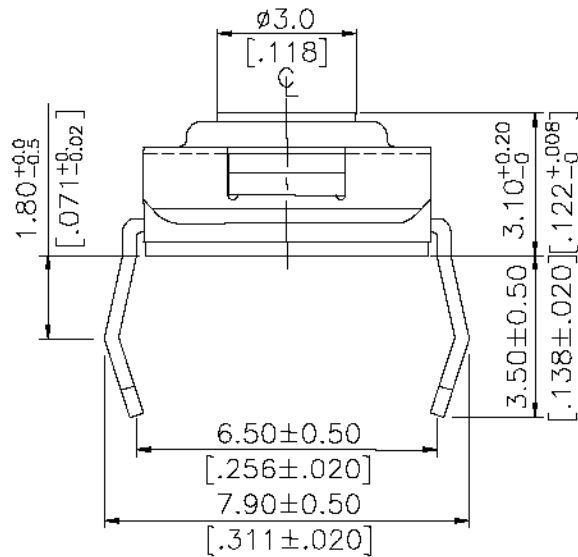
嘉尼企業股份有限公司 CANAL ELECTRONIC CO., LTD.



P.C.B. LAYOUT



CIRCUIT DIAGRAM



NOTE:

1. ALL DIMENSIONS ARE IN MILLIMETERS, BRACKETED DIMENSIONS ARE IN INCHES.
2. GENERAL TOLERANCES MAX.±0.20mm.
3. MATERIAL & □ : SEE PAGE 3 OF 3.

REVISION	DESCRIPTION	REVISED BY	TOLERANCES X XX		ANGLE 1/2°	UNIT	mm	PART NAME	DTSH SPEC DRAWING	DWG NO
▲			DRAWN BY	Alice	DESIGNED BY	Eric	SCALE			WS0402A
▲			CHECKED BY		APPROVED BY		DATE	2006.06.27	PART NO	
▲	2006.06.27 换新圖框,重新出圖	吳美玉							DTSHW-66[]	