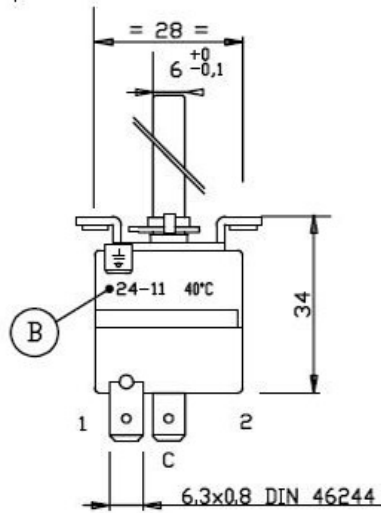
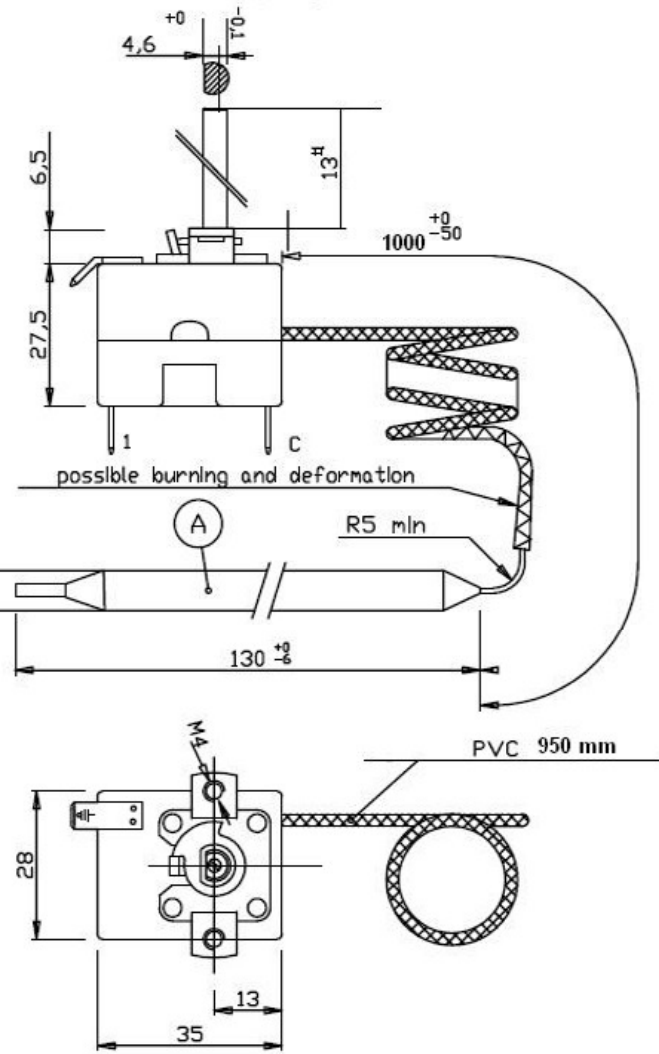
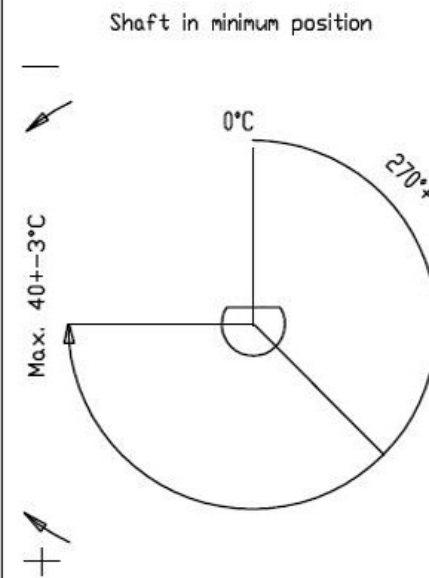


The adjusting operation is carried out at a room T. of 20°C  
 temperatures are measured by immersion of the bulb  
 and 100 mm max of the capillary.

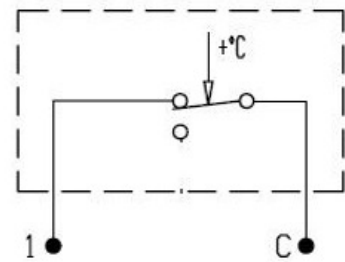


COPPIA MAX. ROTAZIONE PERNO 800cN\*cm



Thermal values of contacts opening

Rotating Angle



Wiring Diagram

(A) Copper probe

(B) Week-Year Temperature Code

Setting temperature : 40°C ±3K a 270° ✕  
 Maximum temperature of the bulb : 80 °C  
 Differential 1.5°C ± 1.5 K  
 Temperature detection : IN WATER

Approvals: Approved VDE DIN EN 60730 C-1 100.000 cycles 16(3)A 250Vac T150.  
 C-2 100.000 cycles 6(1)A 250Vac T150.

Other approvals: refer to approval list available upon request.

The component is guaranteed until the end of its electric life, for the number of cycles reached  
 or the approvals obtained.