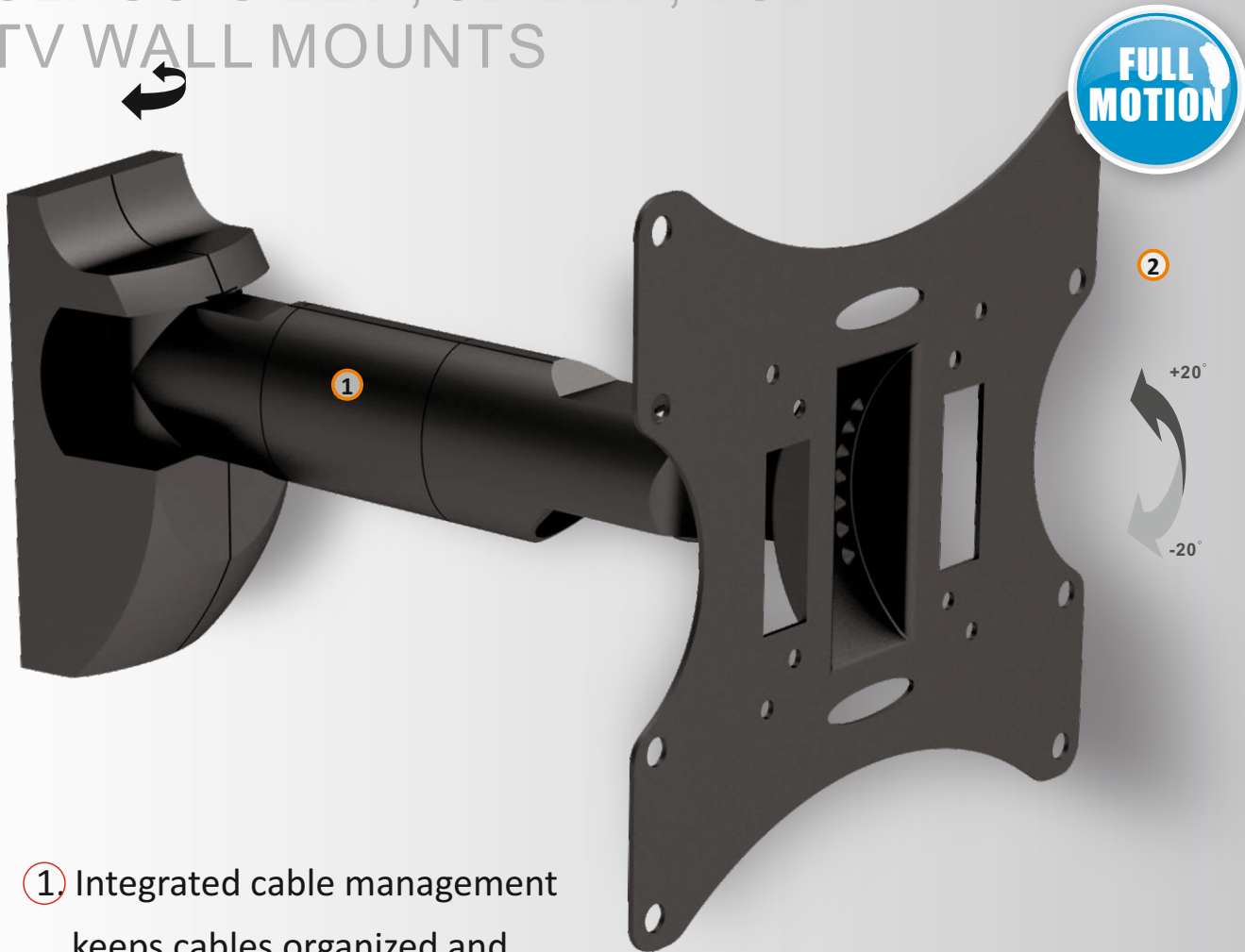


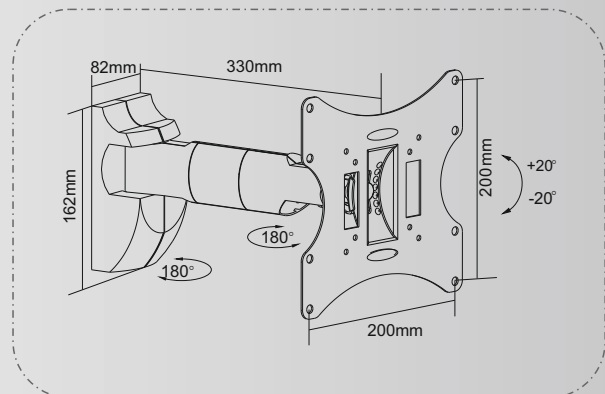


# Standard Series

## CLASSIC LED, 3D LED, LCD TV WALL MOUNTS

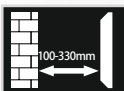


- ① Integrated cable management keeps cables organized and protected
- ② Flexible VESA plate enables tilting 20° up and down



most  
17"-37"

30kg  
(66lbs)  
MAX



5pcs  
Carton

Dimensions: 38.5x38.5x26.5cm  
G.W/N.W: 10/9KG

● UCH0042A

○ UCH0042S



75x75, 100x100, 200x100, 200x200