

# RF LED TOUCH CONTROLLER



Before installing this product, Please read this manual carefully. Ensure full understanding of this specification to avoid unnecessary damage and additional costs.

## Product Description

RF touch LED controller adopts the advanced micro control unit, it is used for controlling a variety of lamp whose source of light is LED. For instance, point source of light, flexible light strip, wall washer lamp, glass curtain wall light and so on; it has many advantages such as touch remote control, easy connection and simplicity to use. Meanwhile, you can adjust brightness, static color choices and various dynamic changes in lighting effects through wireless touch remote control. And according to the actual need of customers, it can carry out jumpy changing, gradual changing, stroboflash and other effects of change.

## Technical Parameters

Working temperature	-20-60°C
Supply voltage	12V~24V
Output	3 channels
Connecting mode	common anode
External dimension	L127*W42*H33 (mm)
Packing size	L142*W135*H35 (mm)
Net weight	270g
Gross weight	310g
Output gray	256 levels (RGB each)
Output current	<6A(each channel)
Output power	12V:<216W, 24V:<432W
Frequency of RF remote control	433.9MHz

## External Dimension

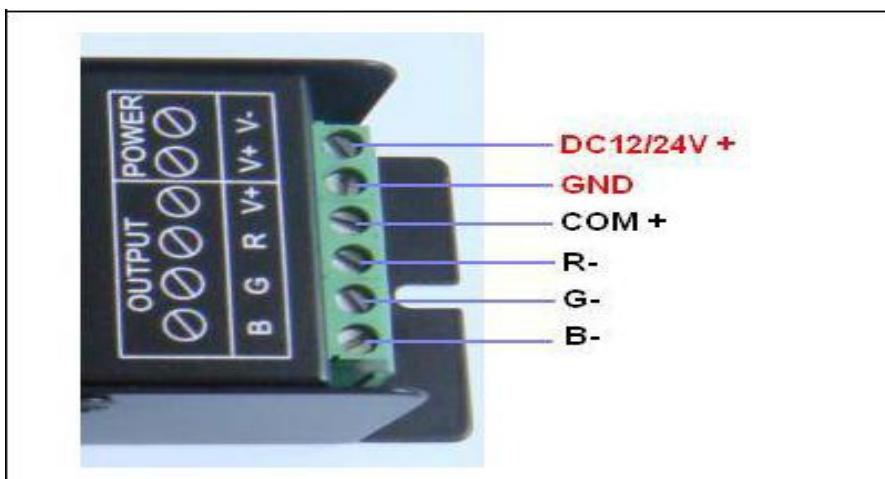
### Controller:



### Remote control:

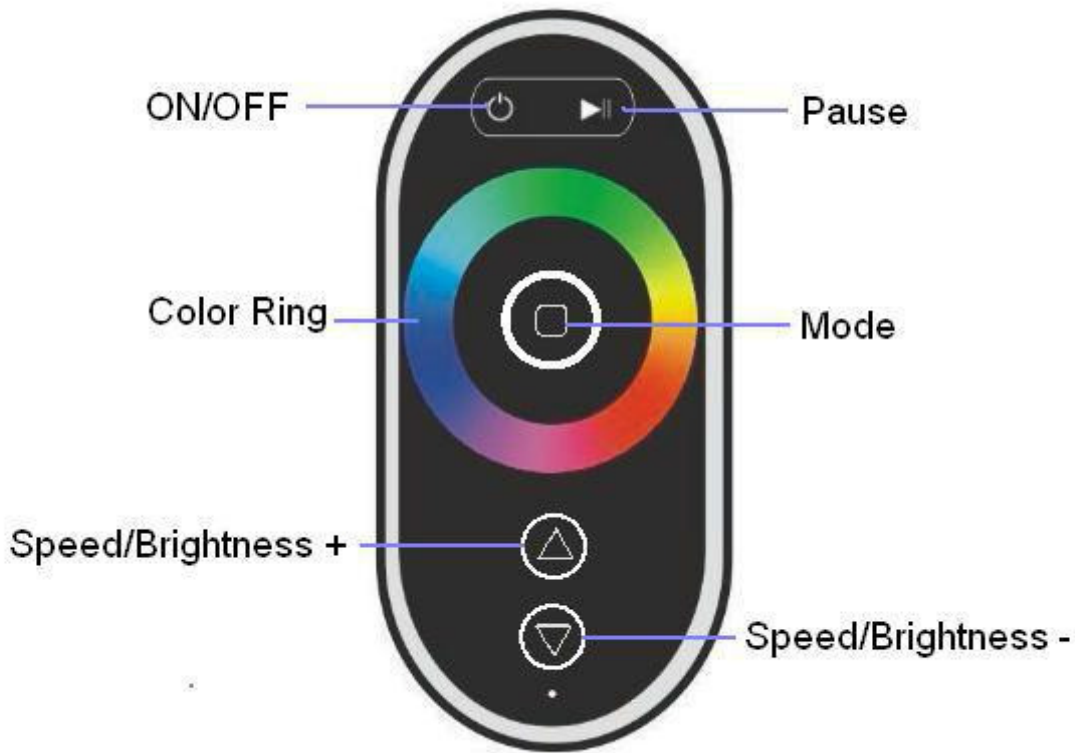


## Interface Specifications



## Direction for use

This product use RF touch control, with one color ring and 5 function buttons.



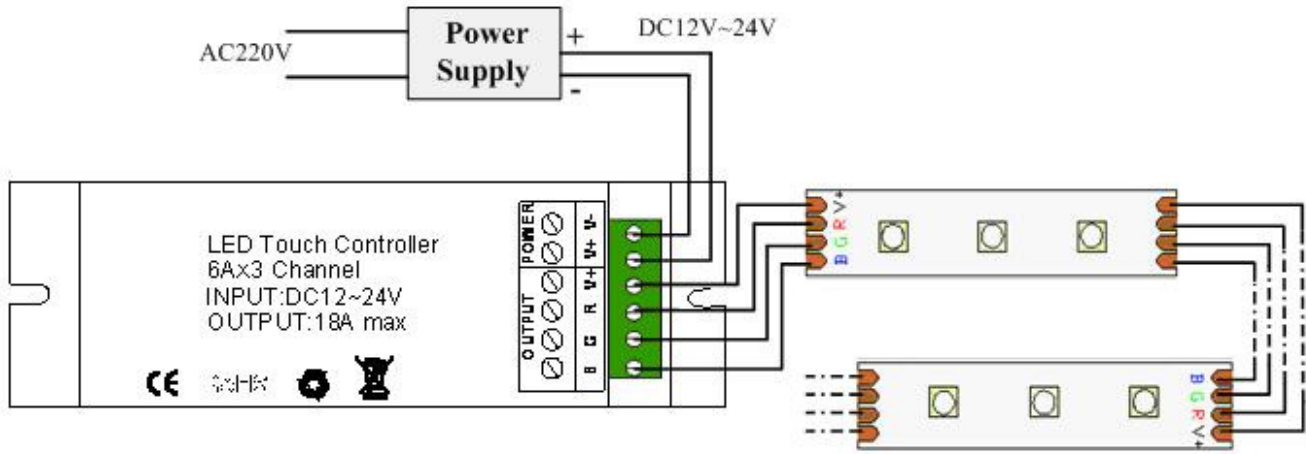
The function of each button as below:

Name of key	Instruction	Remarks
ON/OFF	ON or OFF in any time	
Pause	Pause or Continue	
Mode	The mode will go to next, when you touch the key each time	9 modes in total.
Speed/Brightness +	The Speed/Brightness will add, when you touch the key each time	Speed for dynamic modes, Brightness for static modes.
Speed/Brightness -	The Speed/Brightness will subtract, when you touch the key each time	Speed for dynamic modes, Brightness for static modes.
Color Ring	Touch any color which you want	

### 9modes in total as below:

No	Patterns	Remarks
1	Static worm white	Brightness is adjustable, speed is unadjustable
2	Static cool white	
3	White breath	Speed is adjustable, brightness is unadjustable
4	Seven-color jumpy changing	
5	Seven-color smooth	
6	Seven-color fade	
7	R/B crossfade	
8	B/G crossfade	
9	G/R cross fade	

## Typical Applications



### Notes

1. Supply voltage of this product is DC12V~24V, never connect to others or AC220V.
2. Lead wire should be connected correctly according to grade that connecting diagram offers.
3. This product is not to overload;
4. Warranty of this product is three year, but exclude the artificial situation of damaged or overload working.