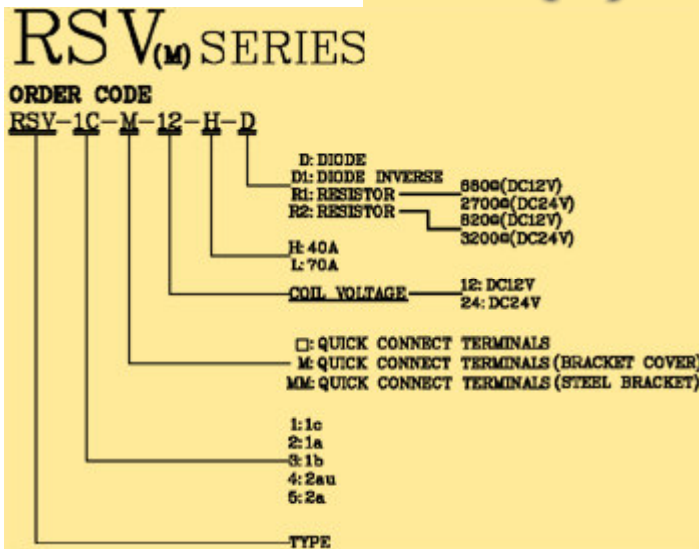


RSV_(M) SERIES



Main Features:

- Optional mounting bracket with plastic & steel.
- Contact rating 40amps, 70amps.
- Standard type contact form SPDT and DPST are all available.
- Standardized design for plug-in quick connects terminals.

COIL RATING (at 20°C)

| RATED VOLTAGE (V) | COIL RESISTANCE (Ω) (+/- 10%) | RATED POWER (W) | NOMINAL CURRENT (mA) (+/- 10%) | PULL IN VOLTAGE (V) | DROP OUT VOLTAGE (V) |
|-------------------|-------------------------------|-----------------|--------------------------------|---------------------|----------------------|
| DC 12V | 90 Ω | 1.6W | 133.3 mA | 7.8V | 1.2V |
| DC 24V | 360 Ω | 1.6W | 66.7 mA | 17.0V | 2.4V |

PERFORMANCE (at initial value)

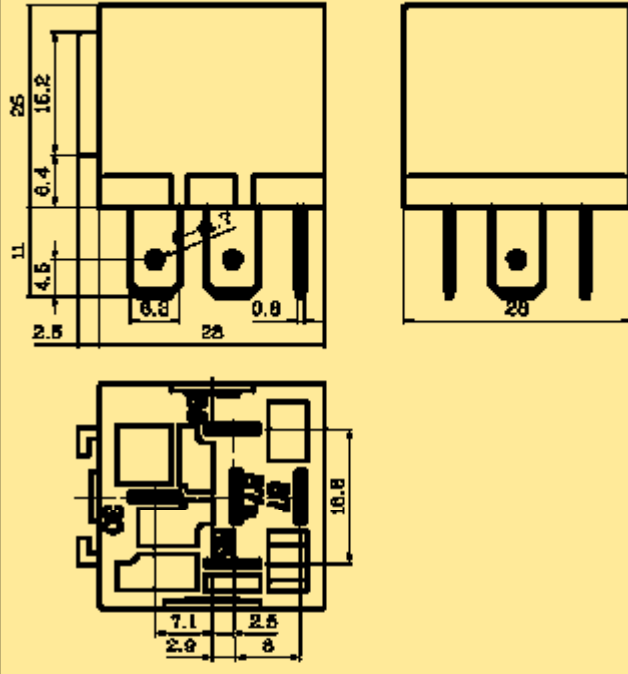
| Item | Type | 40A | 70A |
|--|------|--|-----|
| Contact Resistance | | 50m Ω Max. (initial value) | |
| Operate Time | | 10msec Max. | |
| Release Time | | 10msec Max. | |
| Dielectric Strength | | AC 500V (1min) | |
| Insulation Resistance | | 50M Ω Min.(DC 500V) | |
| Operating Ambient Temperature | | -30°C ~ +70°C | |
| Humidity | | 35 to 85% RH | |
| Vibration Resistance | | 10~55Hz, amplitude 2mm | |
| Voltage Drop Between Contact Terminals | | 300mV (AT 10 AMPS) | |
| Life Expectancy | | 10,000,000 ops. Min. (18000 ops./h) 100,000 ops. Min. (1200 ops./h) | |
| Mechanically Electrically | | | |
| Weight | | 40g (about) | |

CONTACT RATING

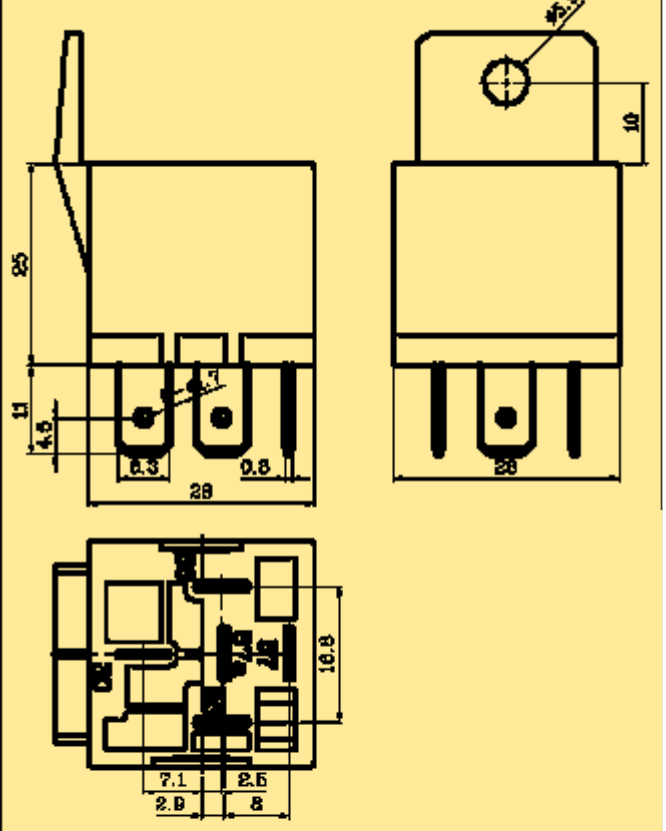
| Item | Type | 40A | 70A |
|--------------------------|------|------------|------------|
| Rated Carrying Current | | DC 14V 40A | DC 14V 70A |
| Max. Allowable Current | | 50A | 80A |
| Max. Allowable Voltage | | 32V | 32V |
| Max. Current (continual) | | 40A | 70A |
| Contact Material | | Ag alloy | |

DIMENSIONS (Unit : mm)

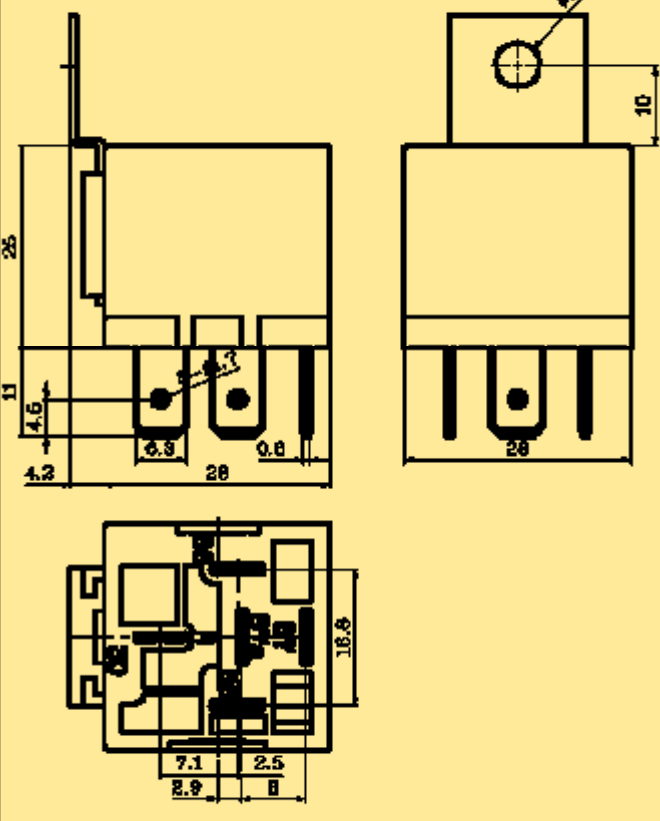
QUICK CONNECT TERMINALS



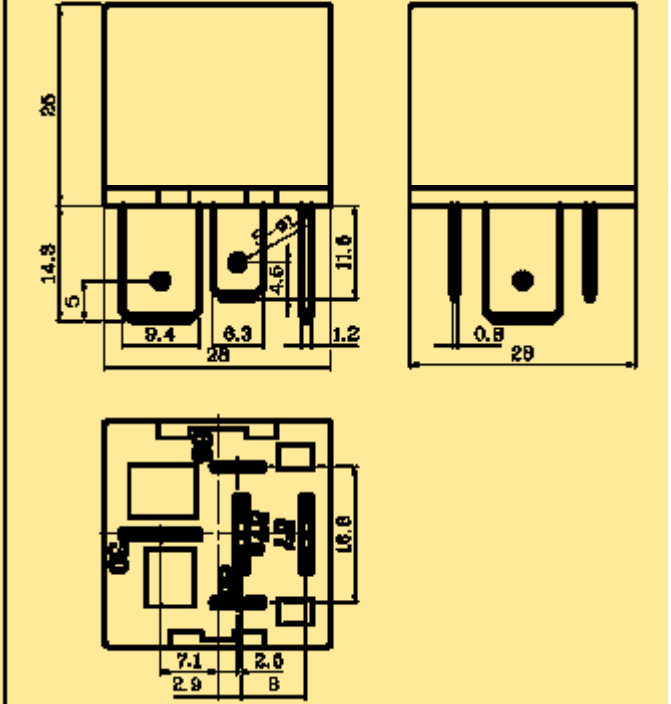
(BRACKET COVER)



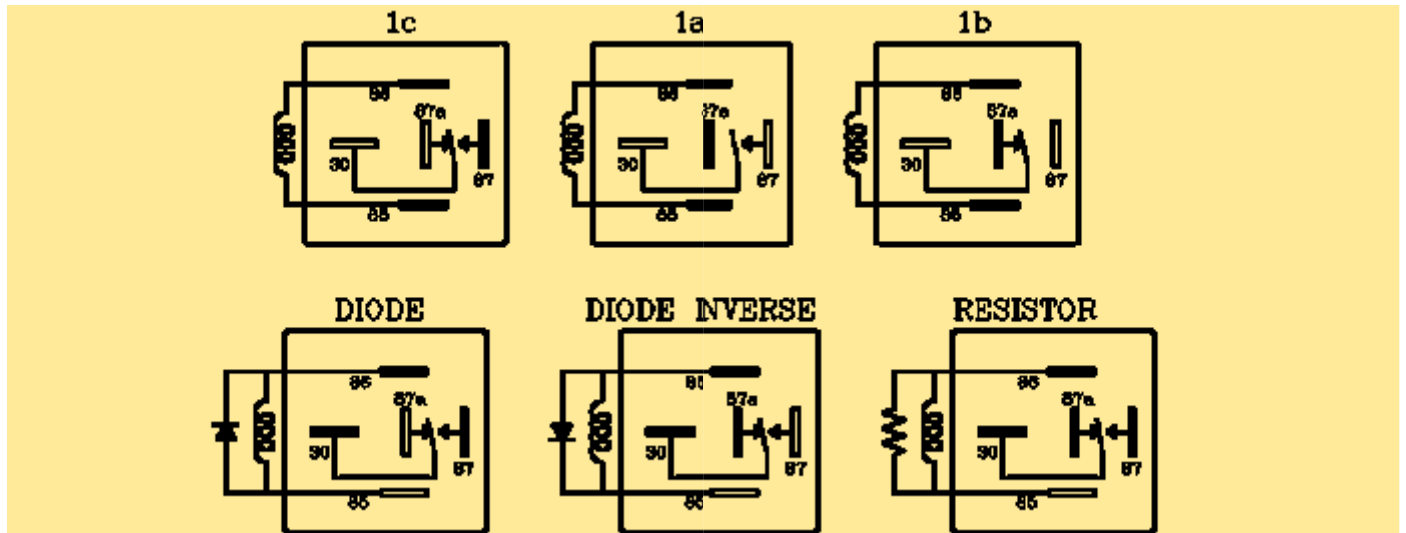
(STEEL BRACKET)



70A TERMINALS



WIRING DIAGRAMS (Bottom View)



KAUNAS
Savanorių pr. 271,
Tel. (8-37) 337711
Faks. (8-37) 311013
Mob. 8-616 19777
lemona@lemona.lt
Interneto adresas: www.lemona.lt

ŠIAULIAI
Tilžės g. 36,
Tel. (8-41) 500360
Faks. (8-41) 500361
Mob. 8-616 19000
siauliai@lemona.lt

KLAIPEDA
Birutės g. 9,
Tel.: (8-46) 422400
Faks.: (8-46) 422403
Mob.: 8-616 19666
klaipeda@lemona.lt

VILNIUS
Kauno g. 28,
Tel. (8-5) 2105400
Faks. (8-5) 2105401
Mob. 8-616 19999
vilnius@lemona.lt

VILNIUS
J. Kubiliaus g. 23,
Tel. (8-5) 2747060
Faks. (8-5) 2747061
Mob. 8-616 19222
zirmunai@lemona.lt