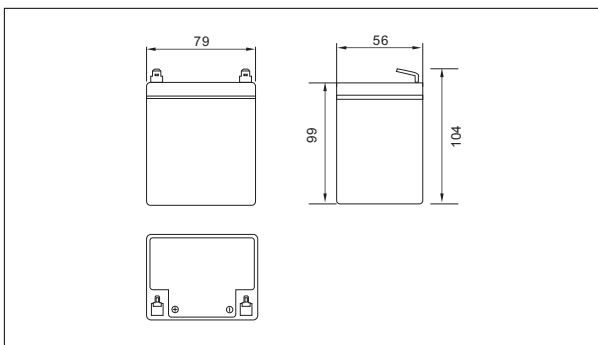


NP12-2.9Ah 12V2.9Ah

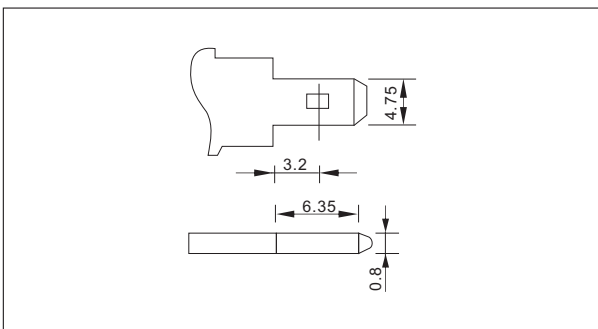
Specifications

Nominal Voltage		12V
Rated capacity (20 hour rate)		2.9Ah
Dimensions	Length	79±2mm(3.11inch)
	Width	56±1mm(2.21inch)
	Height	99±1mm(3.94inch)
	Total Height	104±1mm(4.17inch)
Approx. Weight		1.05kg(2.31lbs)±5%

Outer dimensions (mm)



Terminal Type (mm)



Construction

Component	Positive plate	Negative plate	Container	Cover	Separator	Electrolyte	Safety valve	Terminal
Raw material	Lead dioxide	Lead	ABS	ABS	AGM	Sulfuric acid	Rubber	Copper

Constant Current Discharge Characteristics Unit:A(25°C,77°F)

F.V/Time	5min	10min	15min	30min	60min	2h	3h	4h	5h	10h	20h
9.60V	11.1	7.02	5.48	3.09	1.90	1.04	0.72	0.59	0.51	0.27	0.15
9.90V	10.7	6.81	5.35	3.03	1.87	1.03	0.71	0.59	0.50	0.27	0.15
10.2V	10.3	6.53	5.15	2.93	1.82	1.02	0.71	0.59	0.50	0.27	0.15
10.5V	9.86	6.25	4.98	2.86	1.79	1.10	0.70	0.58	0.50	0.27	0.15
10.8V	9.31	5.90	4.71	2.76	1.73	0.98	0.68	0.57	0.48	0.27	0.14

Constant Power Discharge Characteristics Unit:W(25°C,77°F)

F.V/Time	5min	10min	15min	30min	60min	2h	3h	4h	5h	10h	20h
9.60V	124	79.2	62.5	35.4	22.0	12.2	8.54	7.08	6.04	3.30	1.77
9.90V	120	76.8	61.0	34.7	21.7	12.1	8.49	7.04	6.00	3.28	1.76
10.2V	115	73.6	58.7	33.6	21.1	12.0	8.43	6.99	5.96	3.27	1.75
10.5V	110	70.5	56.7	32.8	20.7	11.8	8.37	6.94	5.92	3.25	1.74
10.8V	104	66.5	53.7	31.6	20.1	11.5	8.12	6.73	5.74	3.18	1.71

Note: The above characteristics data can be obtained within three charge or discharge cycles.

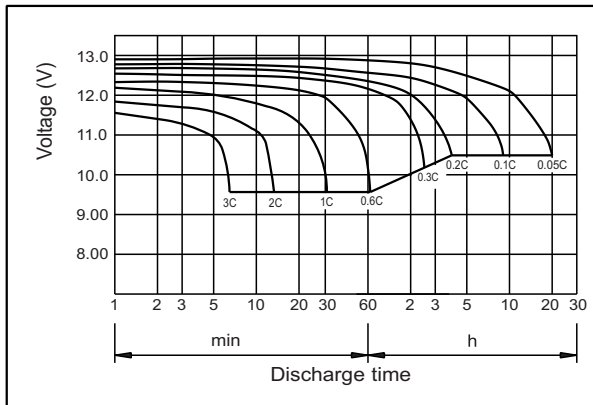


Characteristics

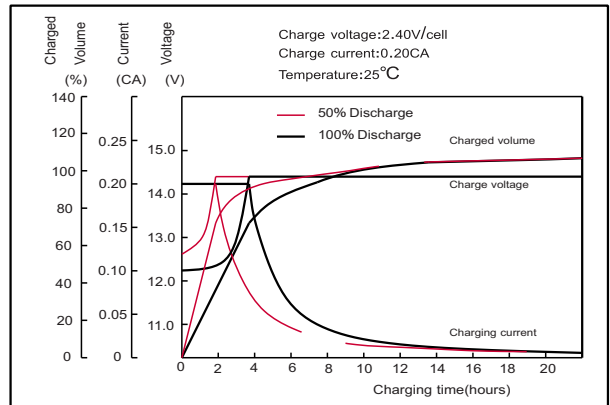
Capacity (25°C)	20HR(10.5V)	2.9Ah
	10HR(10.5V)	2.7Ah
	1HR(9.60V)	1.8Ah
Terminal type		T1
Internal resistance (Fully charged,25°C)		Approx.45m Ω
Capacity affected by temperature (20HR)	40°C	102%
	25°C	100%
	0°C	85%
	-15°C	65%
Self-discharge (25°C)	3month	Remaining Capacity:91%
	6month	Remaining Capacity:82%
	12month	Remaining Capacity:65%
Nominal operating temperature		25°C ±3°C(77°F ±5°F)
Operating temperature range	Discharge	-15°C~50°C(5°F~122°F)
	Charge	-10°C~50°C(14°F~122°F)
	Storage	-20°C~50°C(-4°F~122°F)
Float charging voltage(25°C)		13.50 to 13.80V Temperature compensation: -18mV/°C
Cyclic charging voltage(25°C)		14.50 to 15.00V Temperature compensation: -30mV/°C
Maximum charging current		0.87A
Maximum discharge current		43.5A(5 sec.)
Designed floating life(20°C)		5 years

NP12-2.9Ah 12V2.9Ah

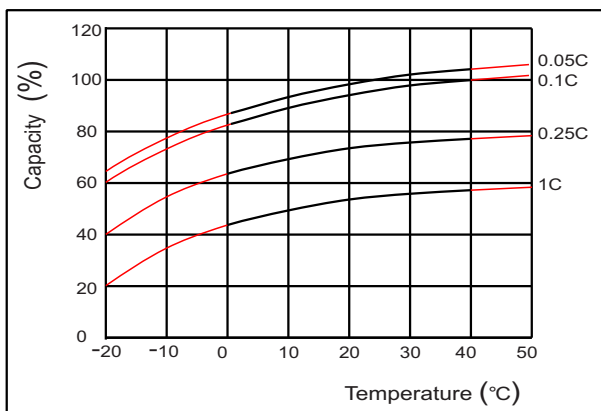
Discharge characteristics(25°C)



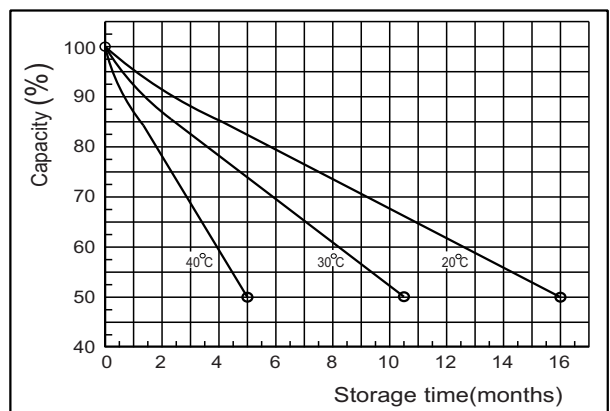
Charging characteristics (25°C)



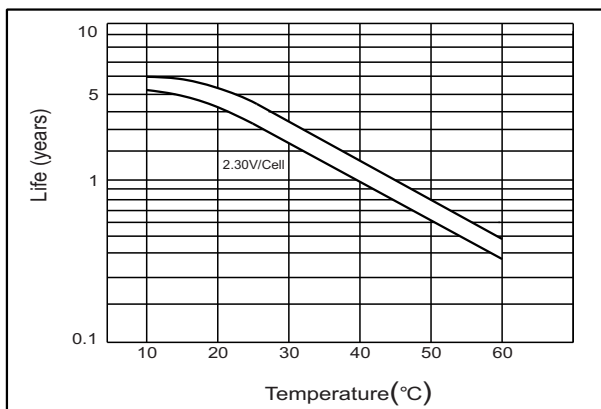
Effect of temperature on capacity



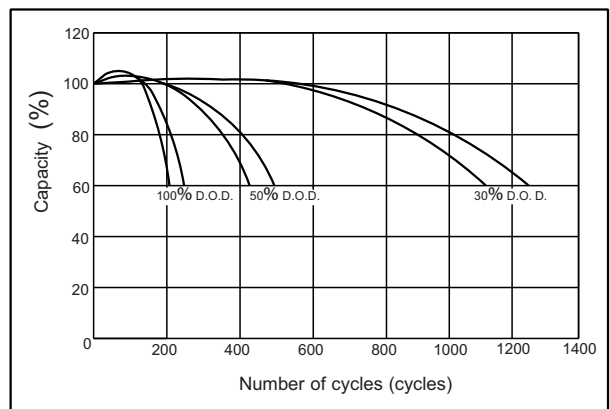
Self-discharge characteristics



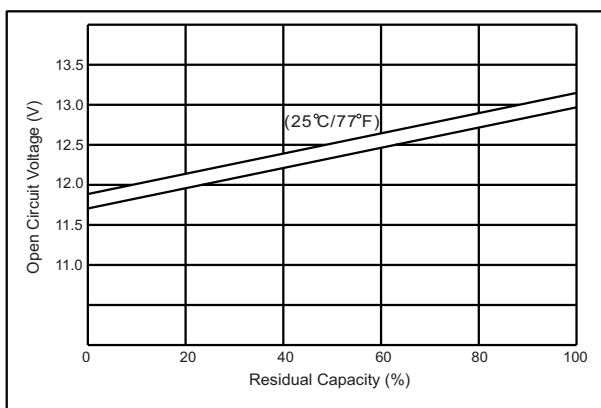
Floating life on temperature



Cycle life on D.O.D(25°C)



The relationship for OCV and Capacity (25°C)



The relationship for Charging voltage and Temperature

