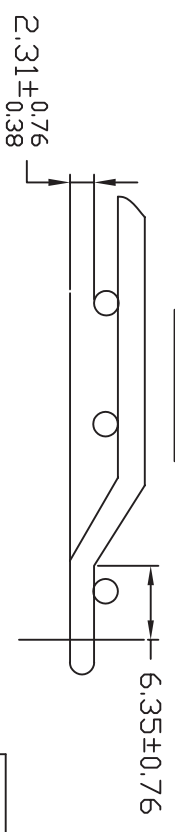
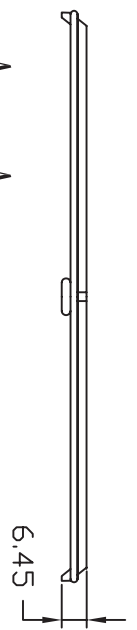
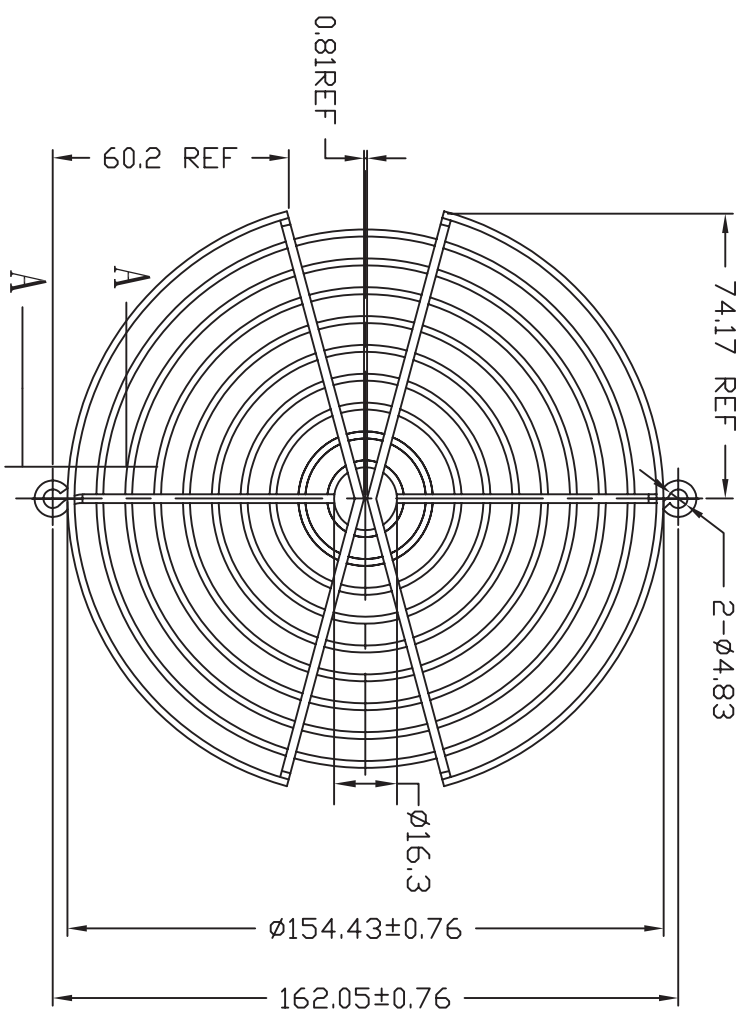


EDITION	DATE	REVISION RECORD	REVISION NO.	APPROVED



- NOTES:
- 1.MATERIAL:C1008 BRIGHT BASIC WIRE.
 - 2.FINISH:BRIGHT NICKEL CHROME.Cr3
 - 3.(1)RINGS ARE ϕ 1.8mm.
 - (2)RIBS ARE ϕ 2.3mm.
 - 4.WELD JOINTS TO WITHSTAND 88 LBS PULL FORCE.
 - 5.SPACING BETWEEN RINGS TO BE EQUIDISTANT 5.67mm.
 - 6.GENERAL TOLERANCE UNLESS NOTED:±0.5mm.
 - 7.PART MEETS ϕ 6.35mmPLUG GAUGE TEST.
 - 8.UNIT:mm.

APPROVED	CHECKED	DESIGNED	DRAWN	MATERIAL	SEE NOTES	TITLE	FAN GUARD

SCALE	1	2	FINISH	SEE NOTES	PART NO.	REV
						0