



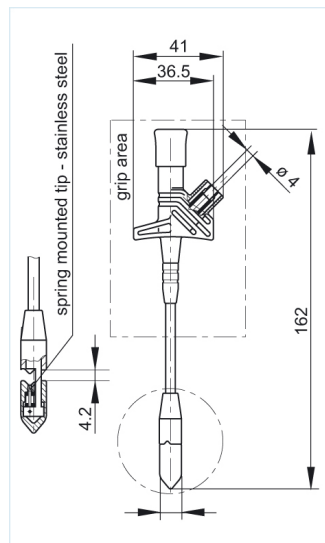
## KLEPS 2700 schwarz/black

Measuring and Testing Equipment: Clamp-type test probes: 4 mm safety system

### Product description

Description	Safety clamp-type test probe with split test clamp. The sprung stainless steel tip can contact insulated leads with cross-sections between 0.25 mm <sup>2</sup> and 1.5 mm <sup>2</sup> (3,5 mm diameter) without the need to strip them. 4 mm diameter brass socket connection.
Type	KLEPS 2700 schwarz/black
Order No.	972 307-100
System	4 mm safety system
Clamping range	1,5 mm <sup>2</sup>
Clamp type	stainless steel tip
Housing Color	black
Other standard types	red color, Order-No. 972 307-101

### Drawing



### Technical data

Type of contact	socket
Type of termination	4 mm socket
Standard	IEC 61010
Rated voltage	AC/DC 1000 V
Measurement Category	CAT III
Rated current	10 A
Contact resistance	100 mOhm

### Material

Contact material	needle (stainless steel)
Contact surface material	nickel-plated

Housing material	PBT
<b>Environmental conditions</b>	
Temperature range	-25 °C to +80 °C
<b>Inflammability class</b>	
Housing	94 HB