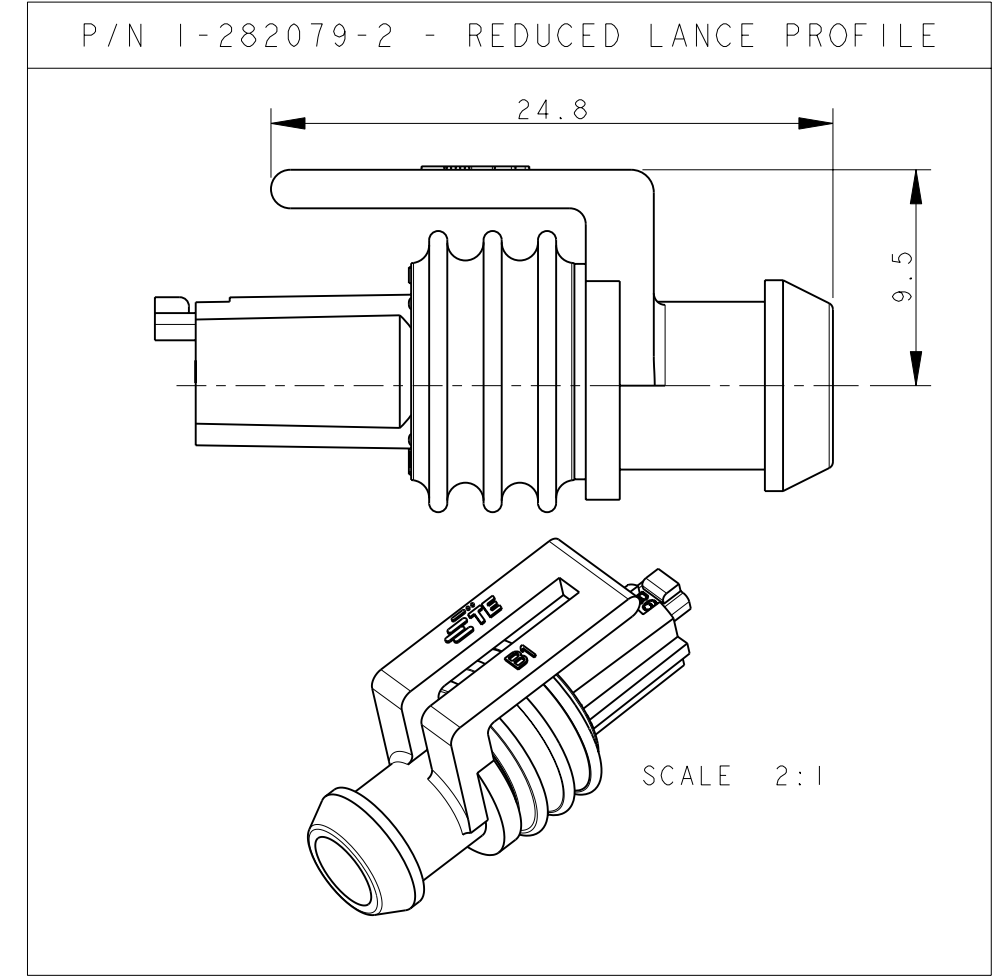
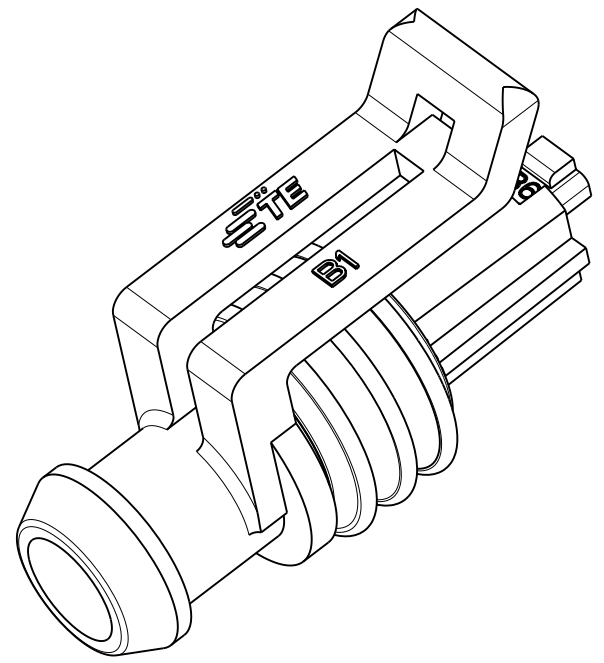
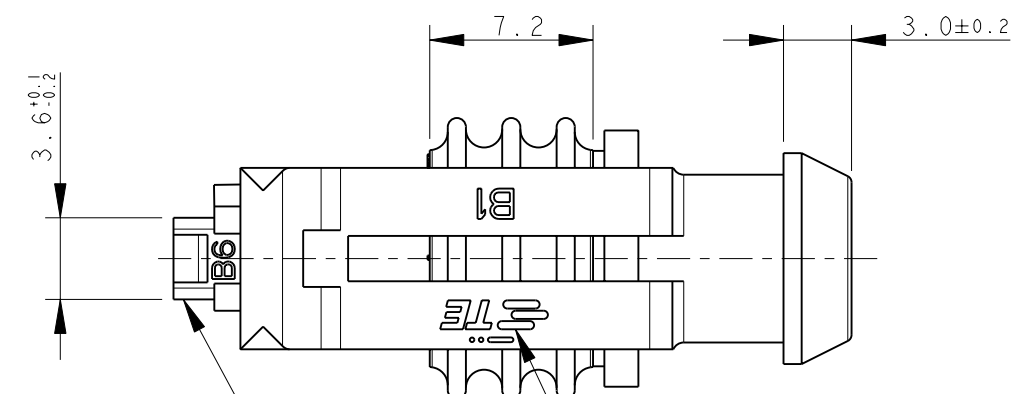
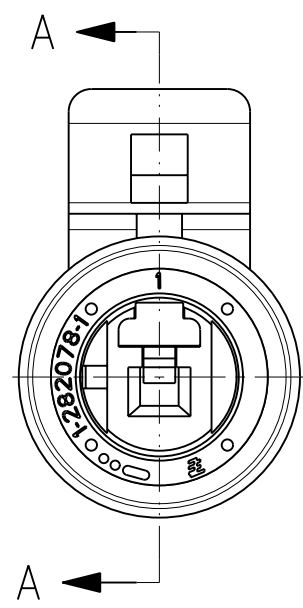
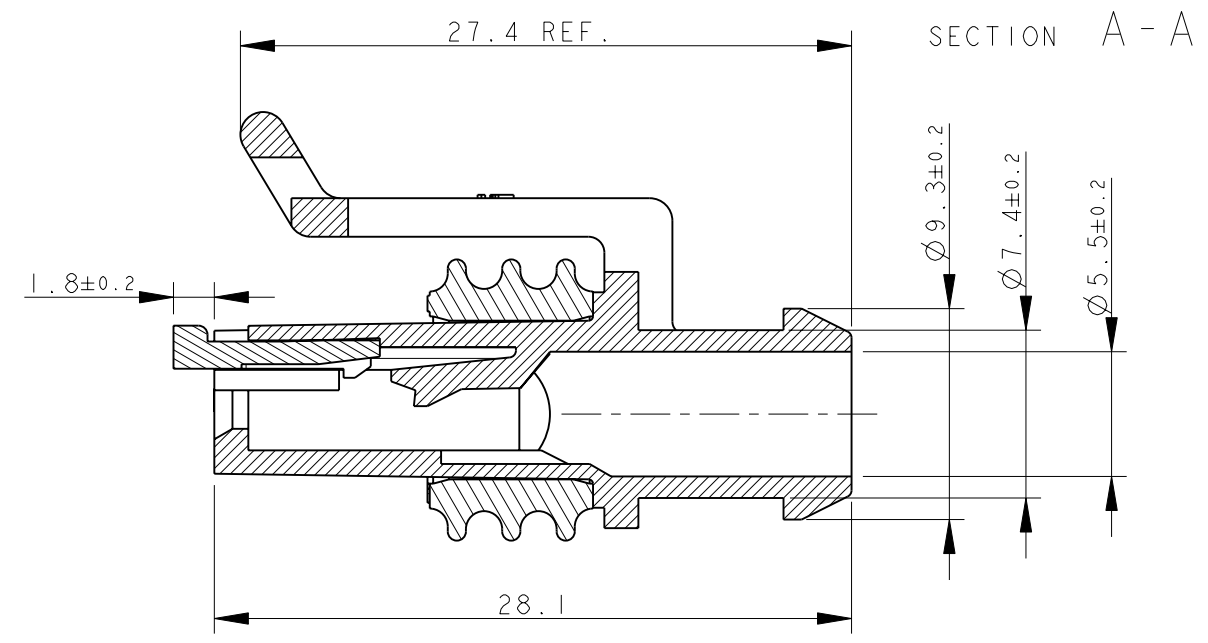


THIS DRAWING IS UNPUBLISHED. RELEASED FOR PUBLICATION 2011
 © COPYRIGHT 2011 ALL RIGHTS RESERVED.

LOC	DIST	REVISIONS			
P	LTR	DESCRIPTION	DATE	DWN	APVD
1	-	CI	REVISED FOR ET00-0008-04	20JAN2004	P.Z. R.M.
		F	REVISED BY ECR-11-024280	13DEC2011	M.F. M.G.



FINISH/COLOR	MATERIAL	PART NUMBER
BLACK	PA66-GF	1-282079-2
GRAY	PA66-GF	282079-3
BLACK	PA66-GF	282079-2

TE CONNECTIVITY TRADE MARK, (IN ALTERNATIVE: "AMP" LOGO, OR Tyco Electronics " LOGO)

SEALING (SILICONE RUBBER)

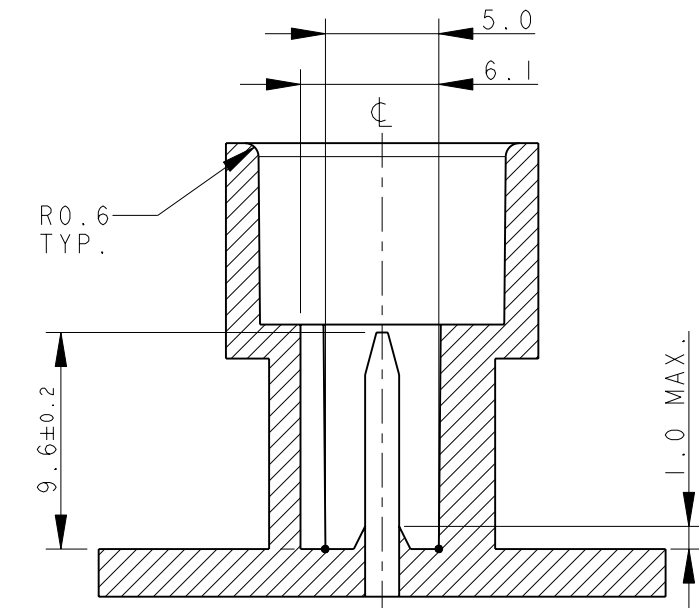
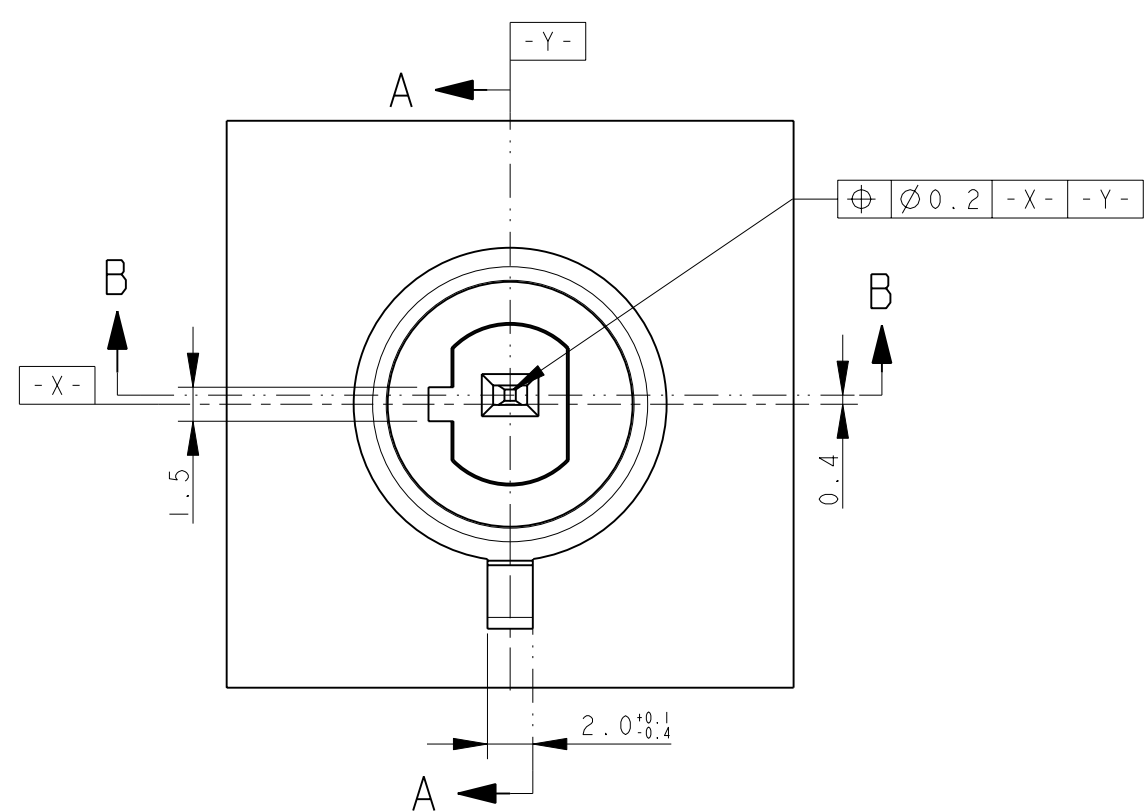
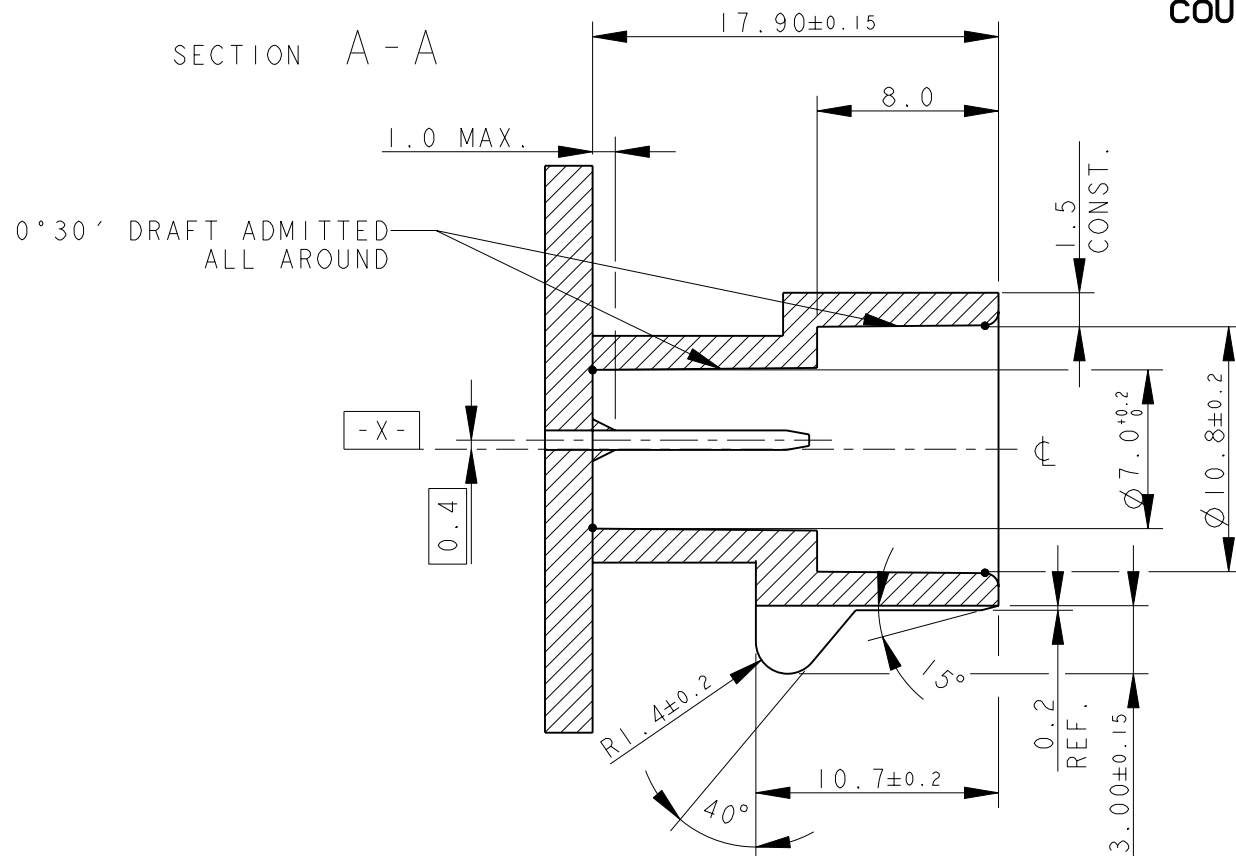
PRE-ASSEMBLED SECONDARY LOCK (RED COLOR)

1) FOR COUNTERPART DETAILS, SEE SHEET 2 OF 2

THIS DRAWING IS A CONTROLLED DOCUMENT.		DWN C. BERTINI 05-1992	STE TE Connectivity	
DIMENSIONS: mm		CHK A. BRUNI 05-1992		
TOLERANCES UNLESS OTHERWISE SPECIFIED:		APVD -	NAME	
0 PLC ±-		PRODUCT SPEC 108-20090	AMP SUPERSEAL 1.5 SRS. 1 POSITION PLUG ASS'Y	
1 PLC ±0.3		APPLICATION SPEC 412-20000	SIZE A3	CAGE CODE 00779
2 PLC ±-		WEIGHT 1.55gr	DRAWING NO C-282079	RESTRICTED TO -
3 PLC ±-		CUSTOMER DRAWING		
4 PLC ±-		SCALE 3:1 SHEET 1 OF 2 REV F		
ANGLES ±2°				
FINISH -				

LOC	DIST	REVISIONS			
P	LTR	DESCRIPTION	DATE	DWN	APVD
-	-	SEE SHEET 1	-	-	-

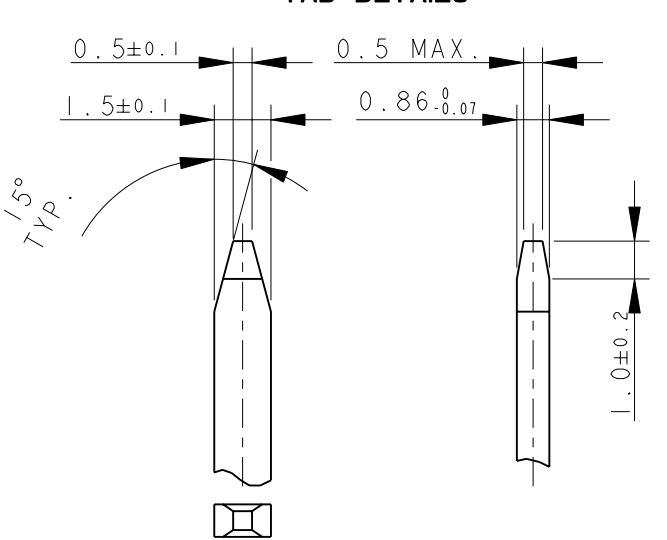
COUNTERPART DETAILS



SECTION B-B

△ MATERIALS: PA66-GF FOR HOUSING
TIN PLATED BRASS FOR TABS

TAB DETAILS



THIS DRAWING IS A CONTROLLED DOCUMENT.		DWN C. BERTINI 05-1992	TE Connectivity		
DIMENSIONS: mm		CHK A. BRUNI 05-1992			
TOLERANCES UNLESS OTHERWISE SPECIFIED:		APVD -	NAME		
0 PLC ±0.3 1 PLC ±0.1 2 PLC ±0.05 3 PLC ± 4 PLC ± ANGLES ±2°		PRODUCT SPEC 108-20090	AMP SUPERSEAL 1.5 SRS. 1 POSITION PLUG ASS'Y		
MATERIAL		APPLICATION SPEC 412-20000	SIZE A3	CAGE CODE 00779	DRAWING NO C-282079
FINISH		WEIGHT 1.55gr	RESTRICTED TO		
		CUSTOMER DRAWING	SCALE	SHEET 2 OF 2	REV F