

AKZ120/..DS-5.08-V-GREY



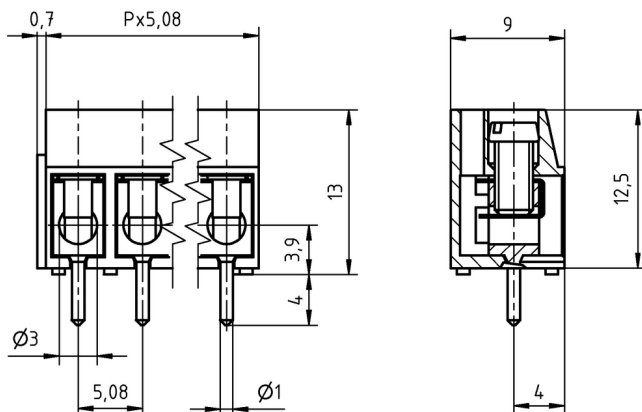
Technical Data

Wire Sizes		Insulating Material	
Solid min	0.2 mm ²	Material	PA 6.6
solid max	4.0 mm ²	Flammability Class	UL 94 V-0
Stranded (flexible) min	0.2 mm ²	Temperatures	
Stranded (flexible) max	2.5 mm ²	Operating Temperature	-30 °C - 105 °C
Stranded with Ferrule min	0.2 mm ²	Wave Soldering Process	
Stranded with Ferrule max	2.5 mm ²	Soldering Temperature, recommended	265 °C
Dimensions		Peak Soldering Time, recommended	3-4 s
Stripped Length	7.0 mm	Reflow Process	
PCB Hole Diameter	1.3 mm	Soldering Temperature, recommended	-
Materials		Peak Soldering Time, recommended	-
Clamp	Brass		
Wire Guard	Stainless Steel		
Screw	Steel		

Colours

	GREY, RAL7016
	BLACK, RAL9011
	BLUE, RAL5015

Colours according to RAL, there may be variations on colour due to production conditions.
Special colours on request.



Order Data (Spacing mm)

Poles	Width (mm)	Article Designation	Article Number	PU
2	10.86	AKZ120/2DS-5.08-V-GREY	50120020110G	250
3	15.94	AKZ120/3DS-5.08-V-GREY	50120030110G	250
4	21.02	AKZ120/4DS-5.08-V-GREY	50120040110G	250
5	26.10	AKZ120/5DS-5.08-V-GREY	50120050110G	250
6	31.18	AKZ120/6DS-5.08-V-GREY	50120060110F	200
7	36.26	AKZ120/7DS-5.08-V-GREY	50120070110F	200
8	41.34	AKZ120/8DS-5.08-V-GREY	50120080110E	100
9	46.42	AKZ120/9DS-5.08-V-GREY	50120090110E	100
10	51.50	AKZ120/10DS-5.08-V-GREY	50120100110E	100
11	56.58	AKZ120/11DS-5.08-V-GREY	50120110110E	100
12	61.66	AKZ120/12DS-5.08-V-GREY	50120120110E	100

Accessories

Figure	Designation	Article Number
	Bridge, 2-pole, insulated, BRI/2-5.0/5.08-LIGHT GREY	50000000006
	Bridge, 3-pole, insulated, BRI/3-5.0/5.08-LIGHT GREY	50000000007
	Bridge, 2-pole, BR/2-5.0/5.08-L7.0	50000000008

Ratings



Usegroup	B	C	D		
Rated Voltage	300 V	150 V	300 V	250 V	
Rated Current	20 A	20 A	10 A	24 A	
Rated Wire Size				min	max
	solid	AWG 22-12	AWG 22-12	AWG 22-12	0.5 mm ² / 2.5 mm ²
	stranded	AWG 22-12	AWG 22-12	AWG 22-12	0.5 mm ² / 2.5 mm ²
Torque	0.45 Nm	0.45 Nm	0.45 Nm	0.50 Nm	
Screw Size	M3	M3	M3	M3	
Test Voltage	1.6 kV	1.6 kV	1.6 kV	2.0 kV	