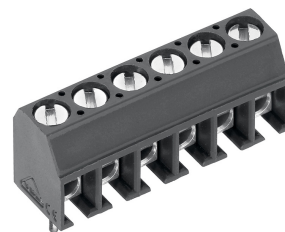


AK550/..DS-3.5-V-GREY



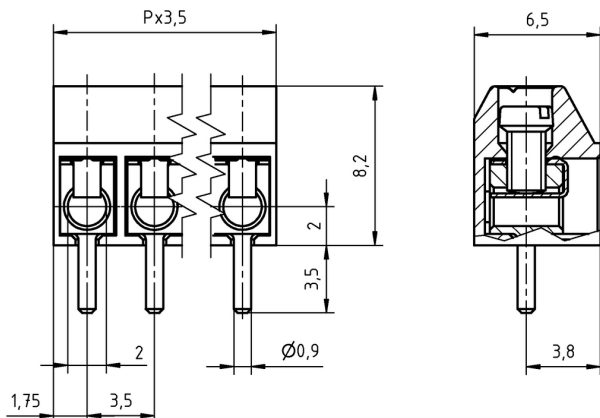
Technical Data

Wire Sizes		Insulating Material	
Solid min	0.08 mm ²	Material	PA 6.6
solid max	1.5 mm ²	Flammability Class	UL 94 V-0
Stranded (flexible) min	0.08 mm ²	Temperatures	
Stranded (flexible) max	1.0 mm ²	Operating Temperature	-30 °C - 105 °C
Stranded with Ferrule min	0.14 mm ²	Wave Soldering Process	
Stranded with Ferrule max	0.5 mm ²	Soldering Temperature, recommended	265 °C
Dimensions		Peak Soldering Time, recommended	3-4 s
Stripped Length	5.5 mm	Reflow Process	
PCB Hole Diameter	1.2 mm	Soldering Temperature, recommended	-
Materials		Peak Soldering Time, recommended	-
Clamp	Brass		
Wire Guard	Stainless Steel		
Screw	Steel		

Colours

	GREY, RAL7016
	PEBBLE GREY, RAL7032
	GREEN, RAL6018
	LIGHT GREEN, similar RAL 6018

Colours according to RAL, there may be variations on colour due to production conditions. Special colours on request.



Order Data (Spacing 3.5 mm)

Poles	Width (mm)	Article Designation	Article Number	PU
2	7.00	AK550/2DS-3.5-V-GREY	50550020121G	250
3	10.50	AK550/3DS-3.5-V-GREY	50550030121G	250
4	14.00	AK550/4DS-3.5-V-GREY	50550040121G	250
5	17.50	AK550/5DS-3.5-V-GREY	50550050121G	250
6	21.00	AK550/6DS-3.5-V-GREY	50550060121G	250
7	24.50	AK550/7DS-3.5-V-GREY	50550070121G	250
8	28.00	AK550/8DS-3.5-V-GREY	50550080121E	100
9	31.50	AK550/9DS-3.5-V-GREY	50550090121E	100
10	35.00	AK550/10DS-3.5-V-GREY	50550100121D	50
11	38.50	AK550/11DS-3.5-V-GREY	50550110121D	50
12	42.00	AK550/12DS-3.5-V-GREY	50550120121D	50
13	45.50	AK550/13DS-3.5-V-GREY	50550130121D	50
14	49.00	AK550/14DS-3.5-V-GREY	50550140121D	50
15	52.50	AK550/15DS-3.5-V-GREY	50550150121D	50
16	56.00	AK550/16DS-3.5-V-GREY	50550160121D	50

Accessories

Figure	Designation	Article Number
	Bridge, 2-pole, insulated, BRI/2-7.0/7.62-L7.5-LIGHT GREY	50000000018
	Bridge, 2-pole, BR/2-5.0/5.08-L7.5	50000000015
	Bridge, 3-pole, BR/3-3.5/3.81-L7.5	50000000016

Ratings



Usegroup	B	C	D		
Rated Voltage	125 V	-	-	130 V	
Rated Current	6 A	-	-	13.5 A	
Rated Wire Size				min	max
	solid	AWG 28-16	-	0.5 mm ²	1.0 mm ²
	stranded	AWG 28-16	-	0.5 mm ²	1.0 mm ²
Torque	0.25 Nm			0.20 Nm	
Screw Size	M2			M2	
Test Voltage	1.25 kV			1.25 kV	