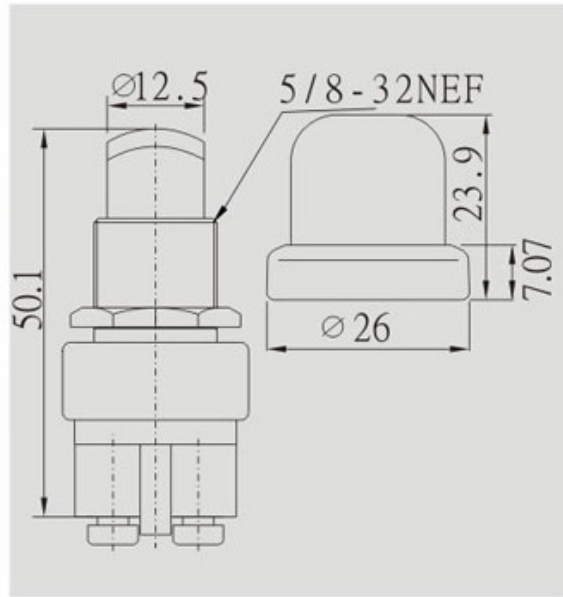


A2-19 Metal body

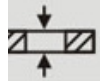


SC M4

60A max 12V DC



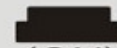
16



4 mm max



OFF



(ON)