

PUSH WIRE® connectors for junction boxes for solid conductors up to 4 mm²; 6-conductor terminal block; brown-transparent housing; brown cover

Item No.: 773-606



PUSH WIRE® connectors for junction boxes for solid conductors up to 4 mm²; 6-conductor terminal block; brown-transparent housing; brown cover

Marking

RoHS ✓
Compliant

Business data

Supplier	WAGO
Item no.	773-606
GTIN / EAN	4055143088671
Content	1
Order amount	50
Customer item number	

Notes

Technical data

Miscellaneous

Total number of connection points	4
Total number of potentials	1
Pollution degree (1)	2
Rated voltage EN (1) [V]	400 [V]
Rated surge voltage (1) [kV]	4 [kV]
Nominal current [A]	32 [A]
Connection technology (1)	PUSH WIRE®
Solid sizes 1	1.5 ... 4 mm ²

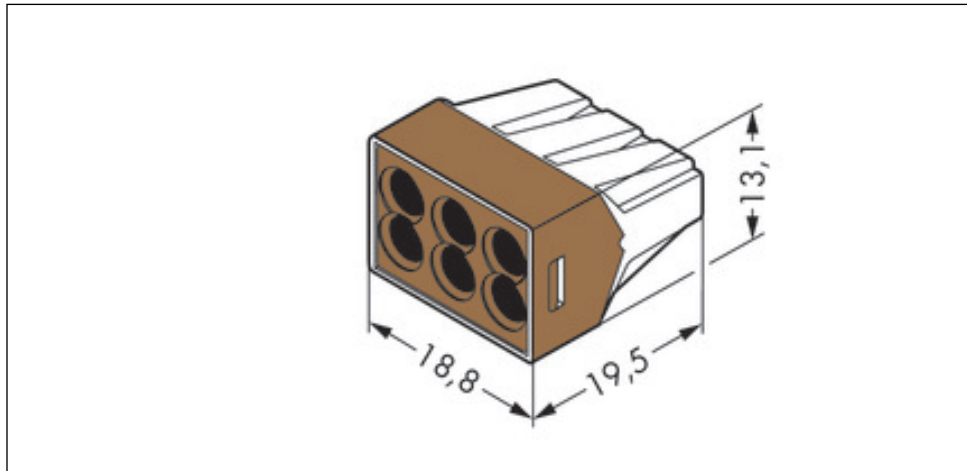
Printview: PUSH WIRE® connectors for junction boxes for solid conductors up to 4 mm²; 6-conductor terminal block; brown-transparent housing; brown cover - Item No.: 773-606

Technical data	
<i>Strip length 1</i>	<i>12 mm / 0.47 in</i>
<i>Type of wiring</i>	<i>Side-entry wiring</i>
<i>Weight [g]</i>	<i>3.53 [g]</i>
<i>Width</i>	<i>9.2 mm / 0.362 in</i>
<i>Width [in]</i>	<i>0.362 [in]</i>
<i>Height</i>	<i>13.1 mm / 0.516 in</i>
<i>Length</i>	<i>19.5 mm / 0.768 in</i>
<i>Length [in]</i>	<i>0.768 [in]</i>

Approbation					
Item No.	Registration	Registration no.	Voltage [V]	Current [A]	Cross section [mm ² , AWG]
<i>773-606</i>	<i>UL</i>	<i>D-03479</i>	<i>400</i>	<i>32</i>	<i>1.50-4.00</i>

Images & drawings





Address

WAGO Kontakttechnik GmbH & Co. KG

Hansastr. 27

32423 Minden

Telefon: 0571/887-0

Fax: 0571/887-169

<http://www.wago.com>

© WAGO Kontakttechnik GmbH & Co. KG

Technische Änderungen und Irrtümer vorbehalten.