

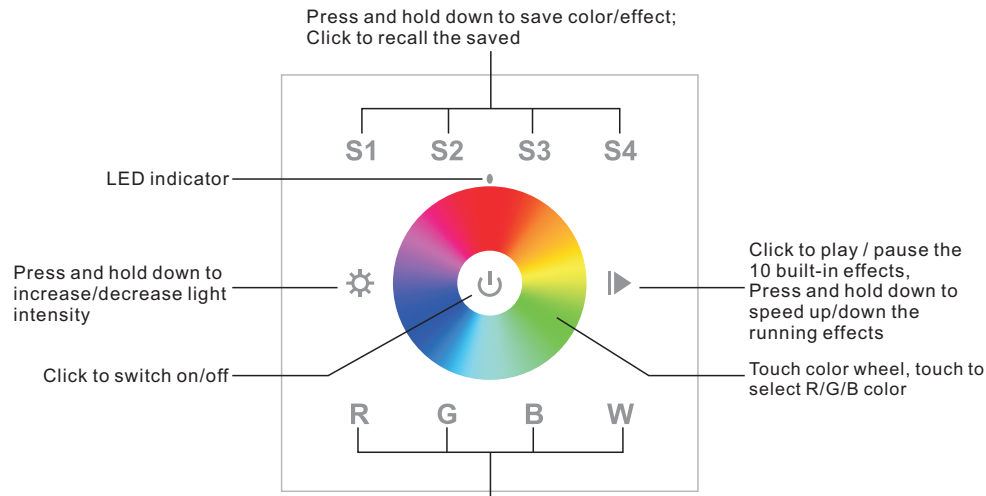
RF RGBW Wall Mounted Controller

09.2820B.04173

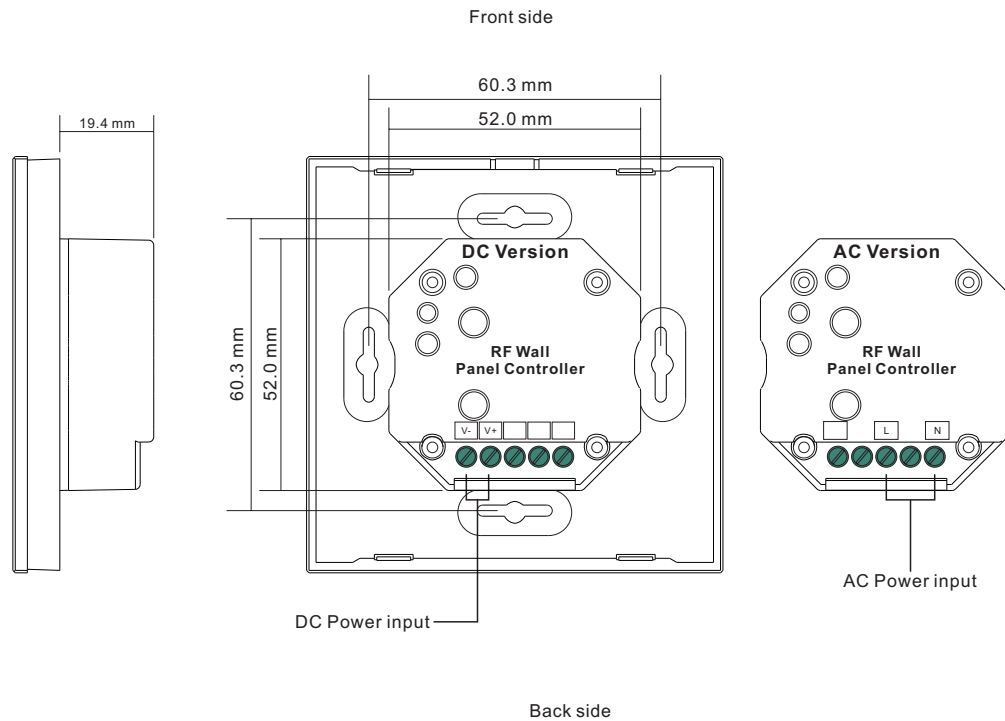


Important: Read All Instructions Prior to Installation

Function introduction



R/G/B/W 4channels: Click to turn off/on the channel
Press and hold down to increase/decrease light intensity of each channel



Product Data

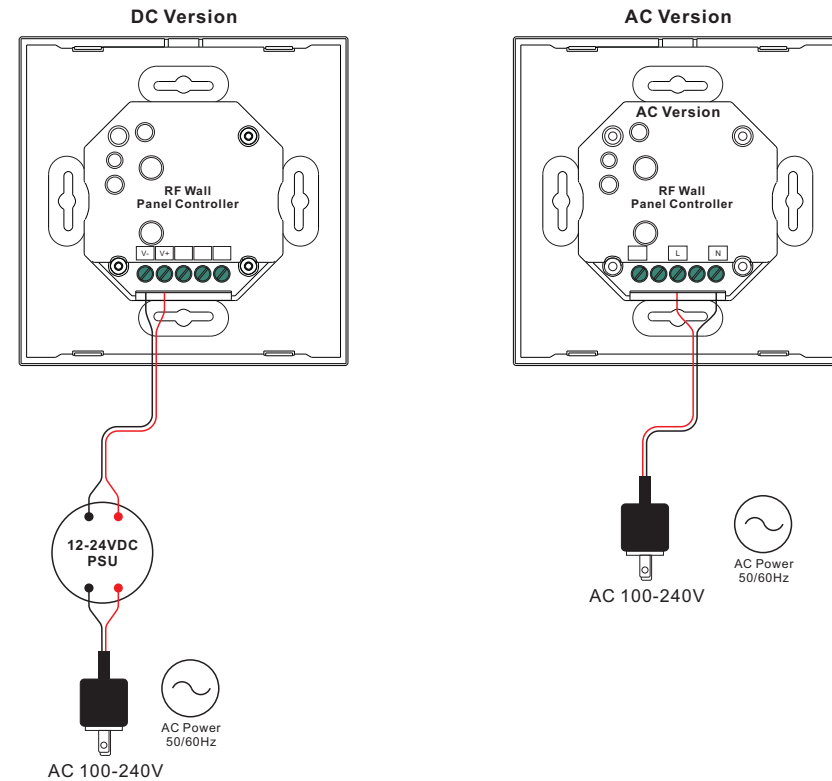
	DC Version	AC Version
Output Signal	RF signal	RF signal
Power Supply	12-24VDC	100-240VAC
Power consumption	200 mA	15 mA
Operating temperature	0-40°C	0-40°C
Relative humidity	8% to 80%	8% to 80%
Dimensions	86x86x29.1mm	86x86x29.1mm

- Touch sensitive
- Glass interface(white & black)
- Compatible with all universal series RF receivers
- Control RGBW color
- Control 1 zone/area
- Waterproof grade: IP20

Safety & Warnings



- DO NOT install with power applied to device.
- DO NOT expose the device to moisture.

Wiring diagram



Operation

Pair with RF receivers:

Click  button of the wall panel controller → Click "Learning Key" on RF receiver → Touch the color wheel  of the wall controller → LED lights connected with the receiver will flicker once means the receiver is paired with the wall remote controller

How to delete the pairing:

Press and hold down "Learning Key" on the receiver for over 3 seconds until connected LED lights flicker twice, which means the pairing is deleted successfully.

Installation

