

# Wall-mounted DALI dimmer

09.240TG.04292

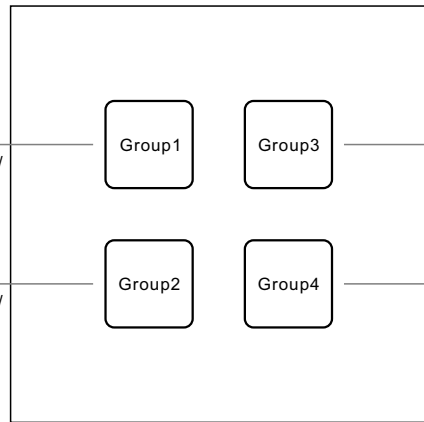


**Important:** Read All Instructions Prior to Installation

## Function introduction

**Group 1:**  
Click to recall the first group,  
Press and hold down to increase/  
decrease light intensity Dimming  
range from 0.1% to 100%

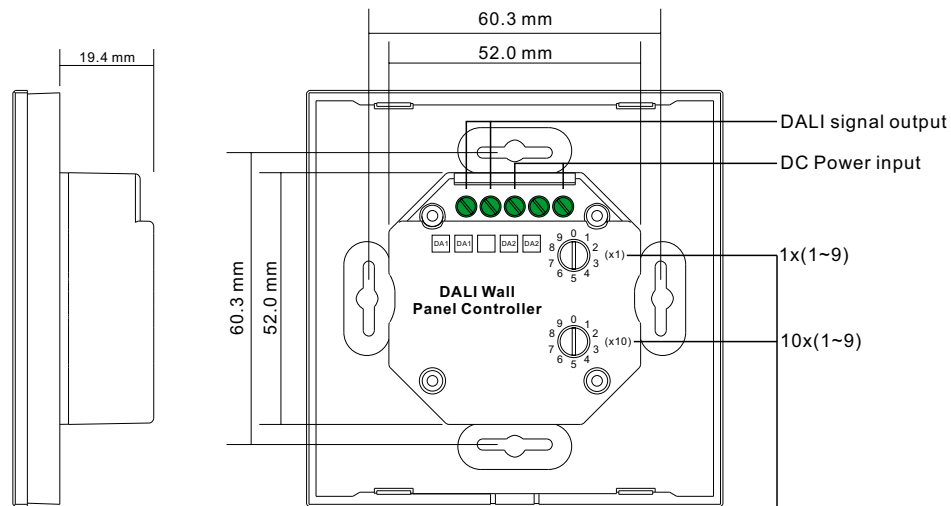
**Group 2:**  
Click to recall the second group,  
Press and hold down to increase/  
decrease light intensity Dimming  
range from 0.1% to 100%



Front side

**Group 3:**  
Click to recall the third group  
Press and hold down to increase/  
decrease light intensity Dimming  
range from 0.1% to 100%

**Group 4:**  
Click to recall the fourth group  
Press and hold down to increase/  
decrease light intensity Dimming  
range from 0.1% to 100%



Set the The starting Group Number

Back side

## Product Data

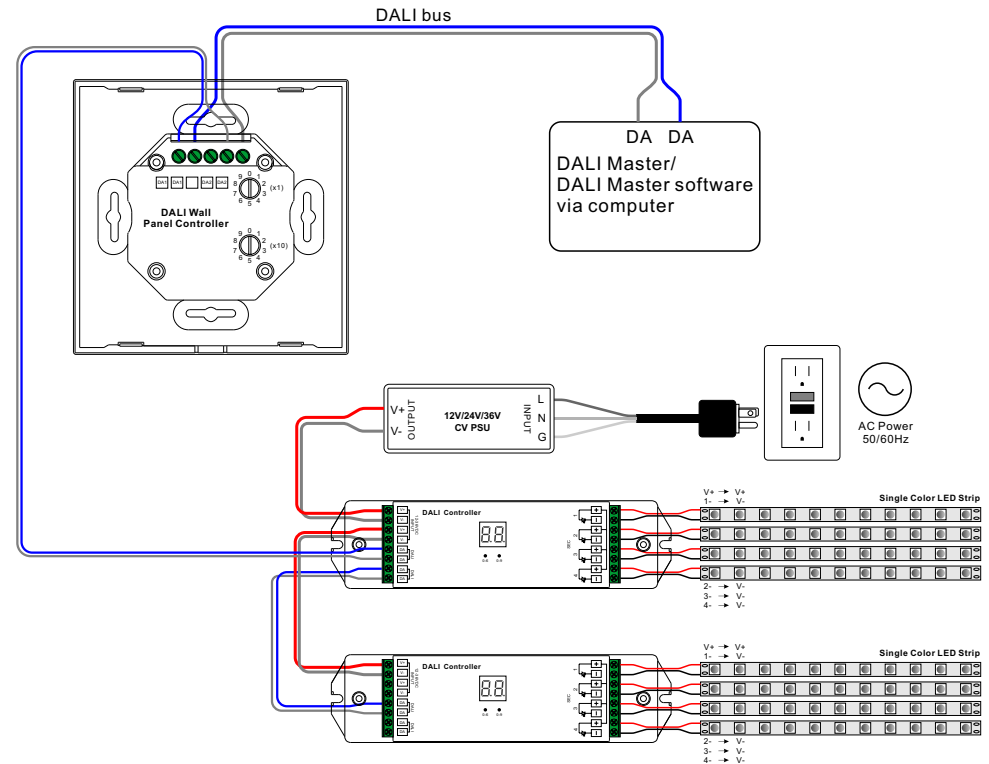
Output Signal	DALI signal
Power Supply	Provided by DALI bus
Power consumption	4 mA
Operating temperature	0-40°C
Relative humidity	8% to 80%
Dimensions	86x86x29.1mm

- Touch sensitive
- Glass interface(white & black)
- Comply to DALI standard protocol IEC 62386-102,IEC 62386-207 and in compliance with DALI products from other international incorporation.
- With bus detective function, one channel DALI bus can install multiple dimmer switches.
- Enable to select 4 different group addresses for controlling by encoding switch.
- Waterproof grade: IP20

## Safety & Warnings

- DO NOT install with power applied to device.
- DO NOT expose the device to moisture.

## Wiring diagram



## Operation

### Set starting group number for DALI masters

1. Set the starting number "X" on the DALI controller (with 16 groups)
2. **Group 1** control X group, **Group 2** control X+1 group,  
**Group 3** control X+2 group, **Group 4** control X+3 group

Installation

