

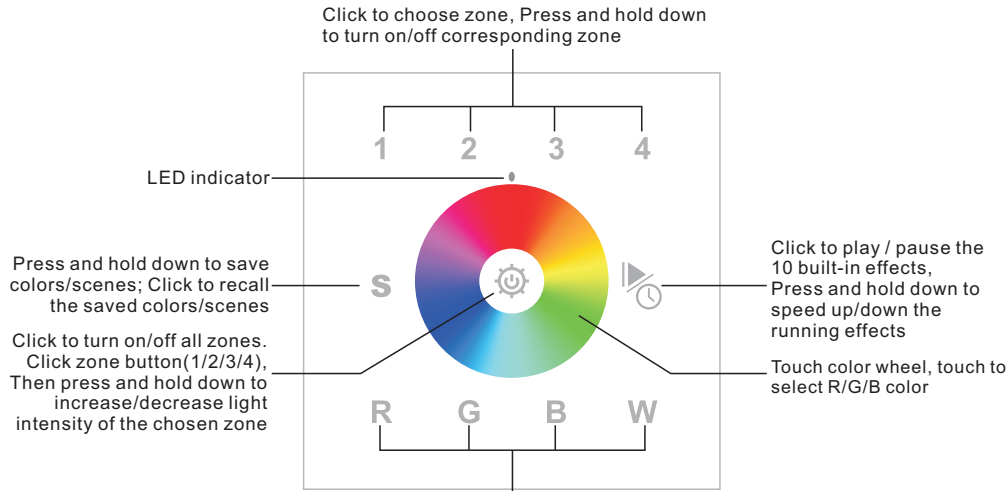
DALI RGBW Touch Controller

09.230TC6.04066



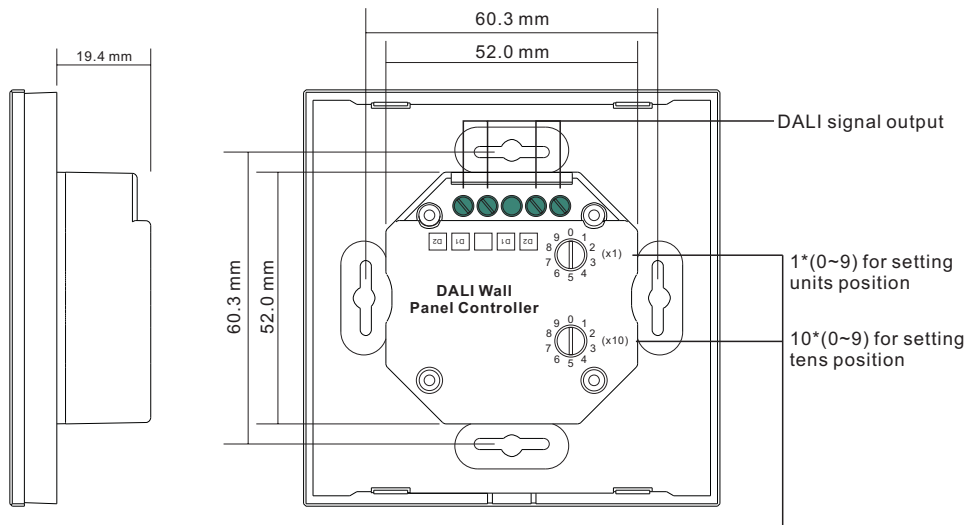
Important: Read All Instructions Prior to Installation

Function introduction



R/G/B/W 4channels: Click to turn off/on the channel
Press and hold down to increase/decrease light intensity of each channel

Front side



Rotary switches for setting start DALI address number (0-63), the number equals to tens position plus units position

Back side

Product Data

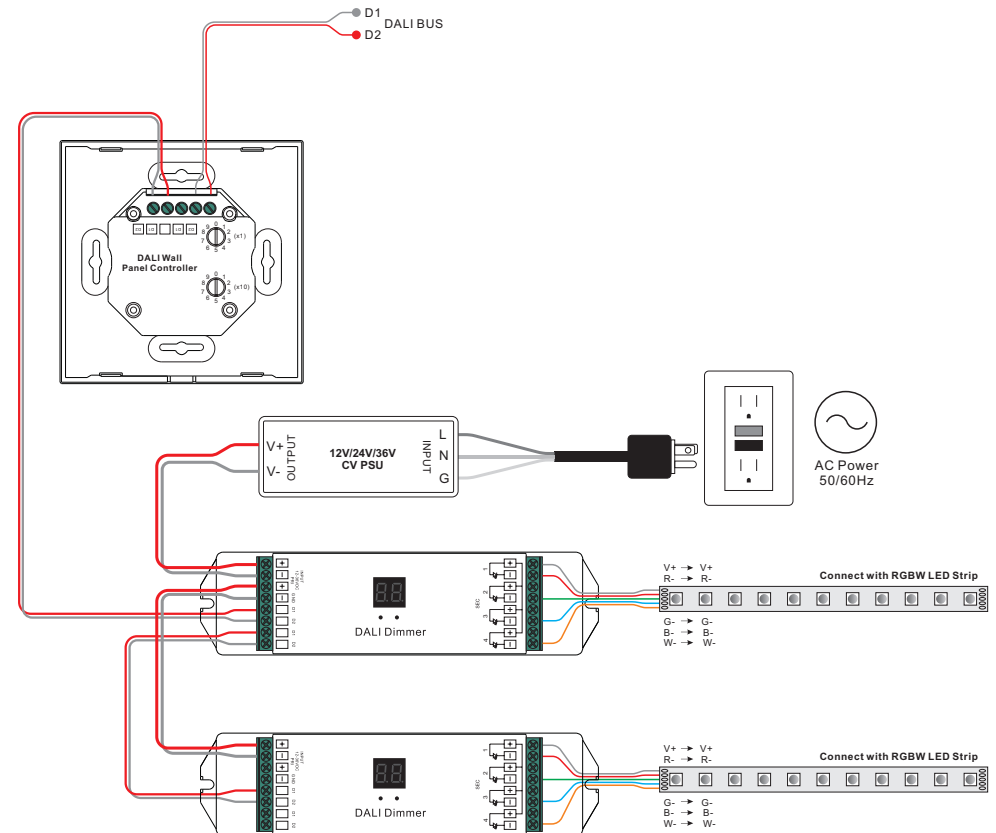
Output	DALI signal
Power Supply	Supply By DALI Bus
Operation Current	4mA
Operating temperature	0-40°C
Relative humidity	8% to 80%
Dimensions	86x86x29.1mm
Waterproof grade	Ip20

- Touch sensitive.
- Glass interface(white & black).
- Comply to DALI standard protocol IEC 62386-102, IEC 62386-207 and in compliance with DALI products from other international incorporation.
- 4 light zones are available for switch, dimming and RGB color control, each zone can control 4 DALI addresses.
- Enable to set start DALI address number (0-63) for the 4 zones by rotary switches on the back.
- Built-in 8 Color Sequences

Safety & Warnings

- DO NOT install with power applied to device.
- DO NOT expose the device to moisture.

Wiring diagram



Operation

1. Set start DALI address number for the zones by rotary switches on the back:

Set the number as X (0-63):

Zone number 1 will control DALI addresses X, X+1, X+2 and X+3,

Zone number 2 will control DALI addresses X+4, X+5, X+6 and X+7,

Zone number 3 will control DALI addresses X+8, X+9, X+10 and X+11,

Zone number 4 will control DALI addresses X+12, X+13, X+14 and X+15,

Note: if X is set as 63, zone 1 will control DALI address 63, 00, 01 and 02, zone 2 will control address 03, 04, 05 and 06, zone 3 will control address 07, 08, 09 and 10, zone 4 will control address 11, 12, 13 and 14.

Installation

