

## WH16BK-1

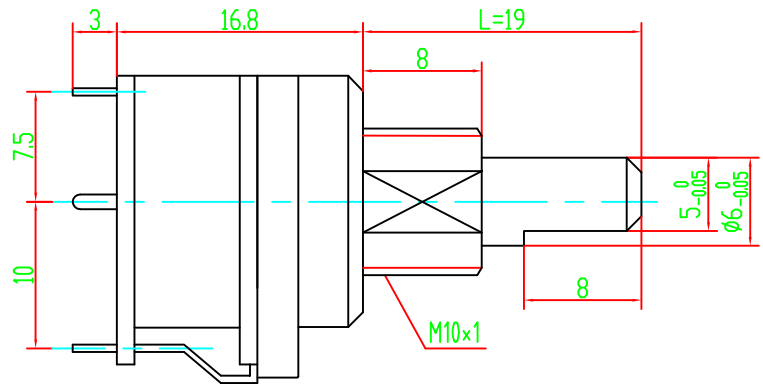
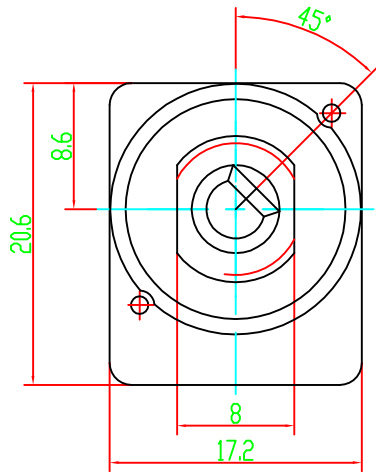
## 1 电器特性(Electrical Characteristic)

1.1 全阻抗值及容许偏差(Resistanc and tolerance)	±20%
1.2 负载功率(Rated Power)	0.2 W
1.3 动杂音(Rotational Noise)	<100mV
1.4 绝缘阻抗特性(Insulation Resistance)	>100M Ω At 250V DC
1.5 耐电压特性(Withstand Voltage)	1 Minute At 500V DC
1.6 最大工作电压(Max. Working Voltage)	250V AC
1.7 开关接触电阻(Switch Comtact Resistance)	<100m Ω
1.8 零位阻值 (Residual Resistance)	R ≥ 250K Ω 0.1%max.of total resistance 250K Ω >R>10K Ω 20 Ω 10K Ω ≥R 10 Ω max
1.9 开关额定功率(Switch Rated Power)	AC 250V 10A

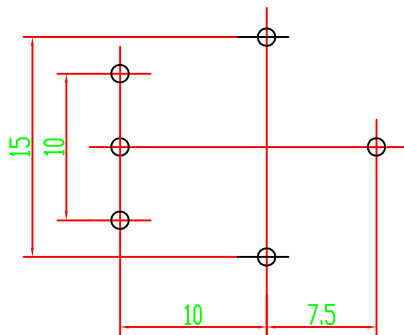
## 2 机械特性(Mechanical Characteristicw)

2.1 外形尺寸图 / 曲线图 ( Shape size drawing/Curve characteristic drawing)	见附页 (See attachment)
2.2 全回转角度(Rotation Angle)	270±5°
2.3 旋转力矩(Rotation Torque)	30~200gf.cm
2.4 旋转止挡力矩 (Rotational Stop-End Torque)	5kg.cm
2.5 轴的推拉强度 (Pull-push Strength)	6kg.cm
2.6 开关力矩(Switch Action)	80~250gf.cm
2.7 焊接耐热性 (Resistance To Soldering Heat)	260° C/2.5±0.5S
2.8 操作温度(Operating Temperature)	-10° ~70° C
2.9 旋转寿命(Rotation Life)	10,000 次

Shaft shown in full  
C.C.W. position



Mounting Hole



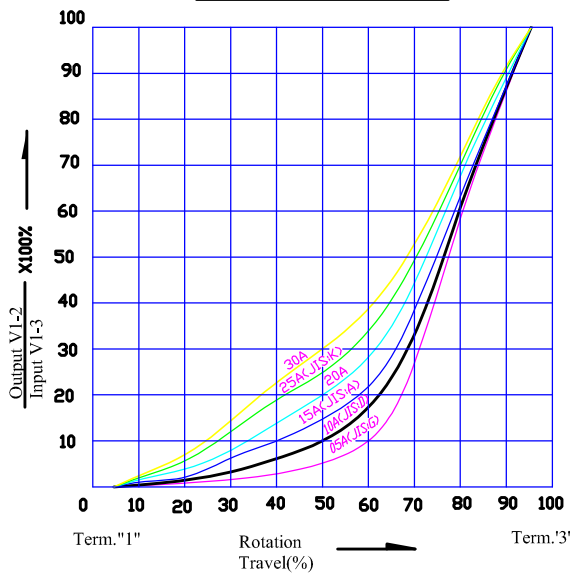
2				5	
1				4	
	DATE	REVISION	APPROVED	3	
			MODER:	WH16BK-1 L19F	
				DRAWING NO:	
DWN	DHKD	APPD	电子有限公司		

# Resistance taper

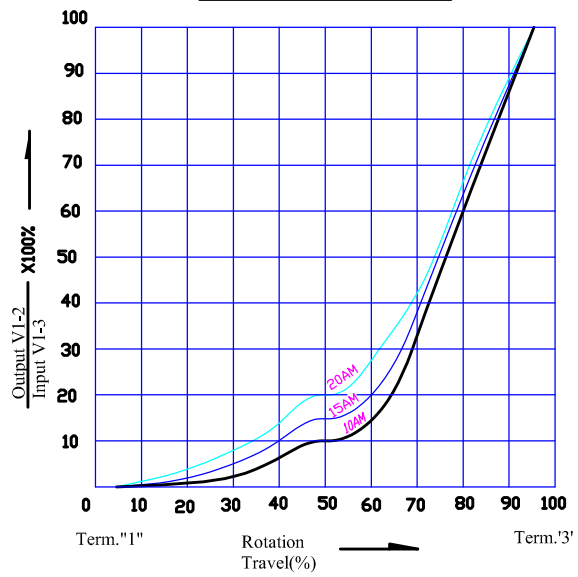


Pattern of resistance curve

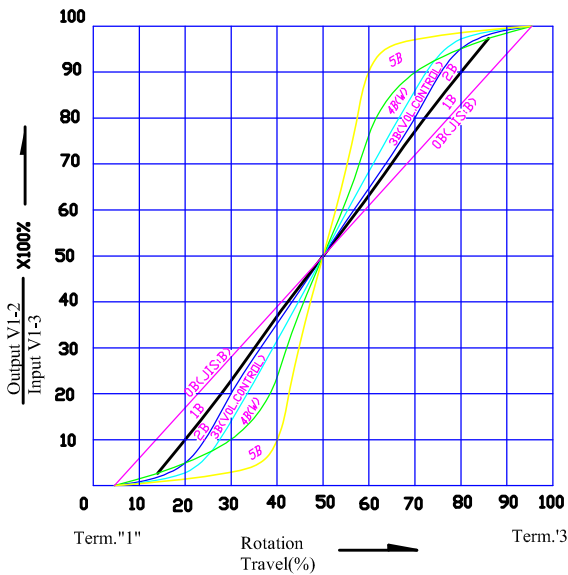
TAPERS (A) SERIES



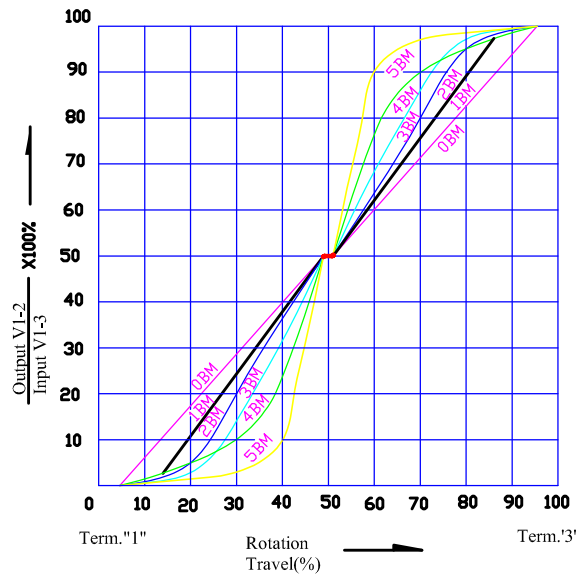
TAPERS (A) WITH 50% TAP



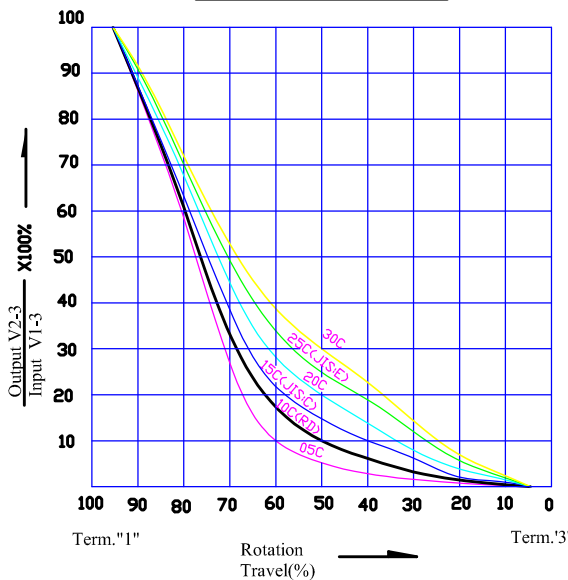
TAPERS (B) SERIES



TAPERS (B) WITH 50% TAP



TAPERS (C) SERIES



TAPERS (M) & (N)

