

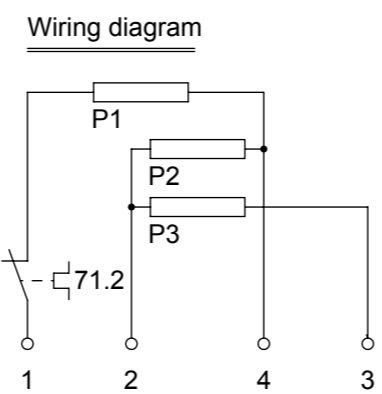
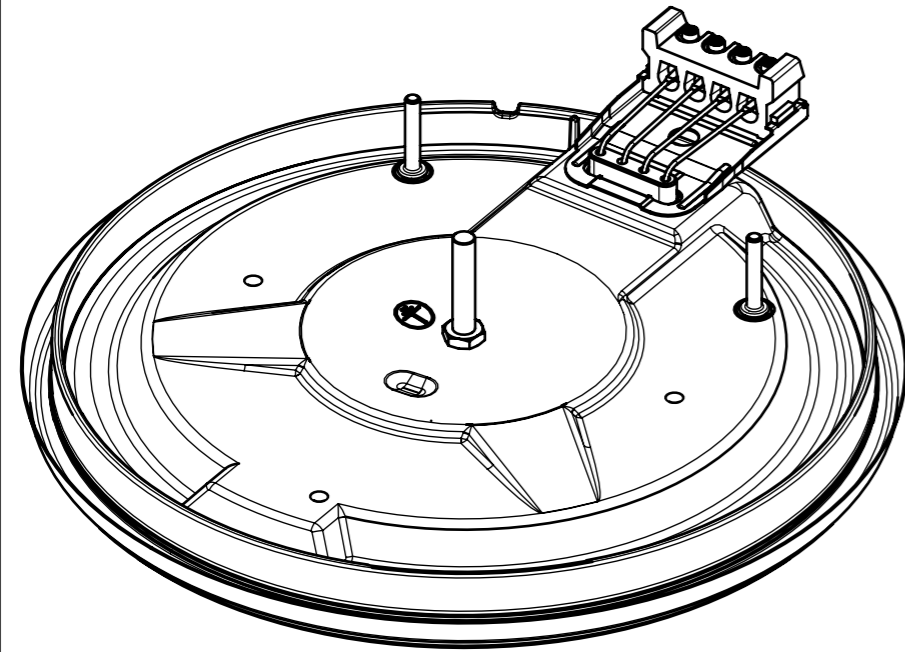
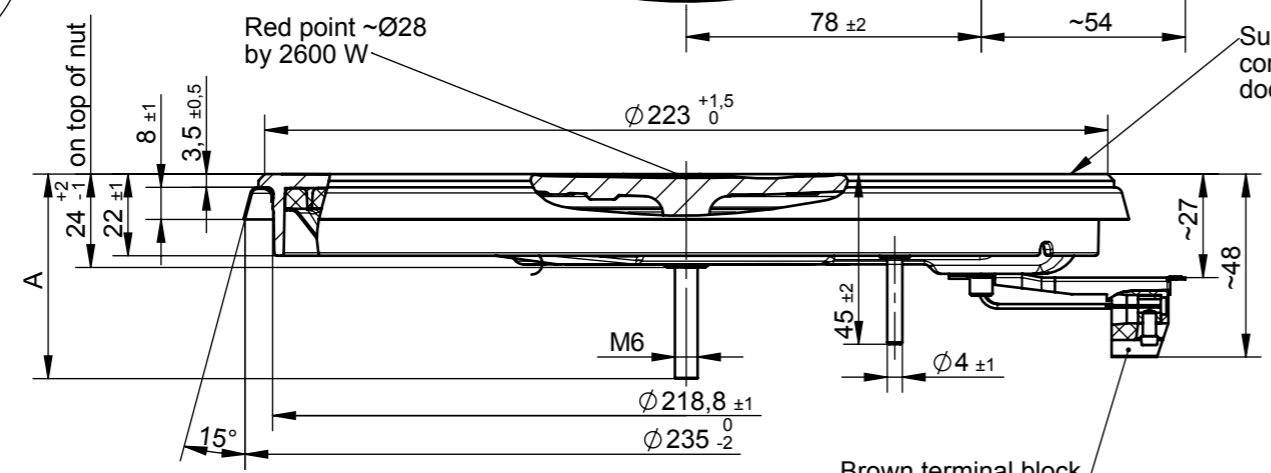
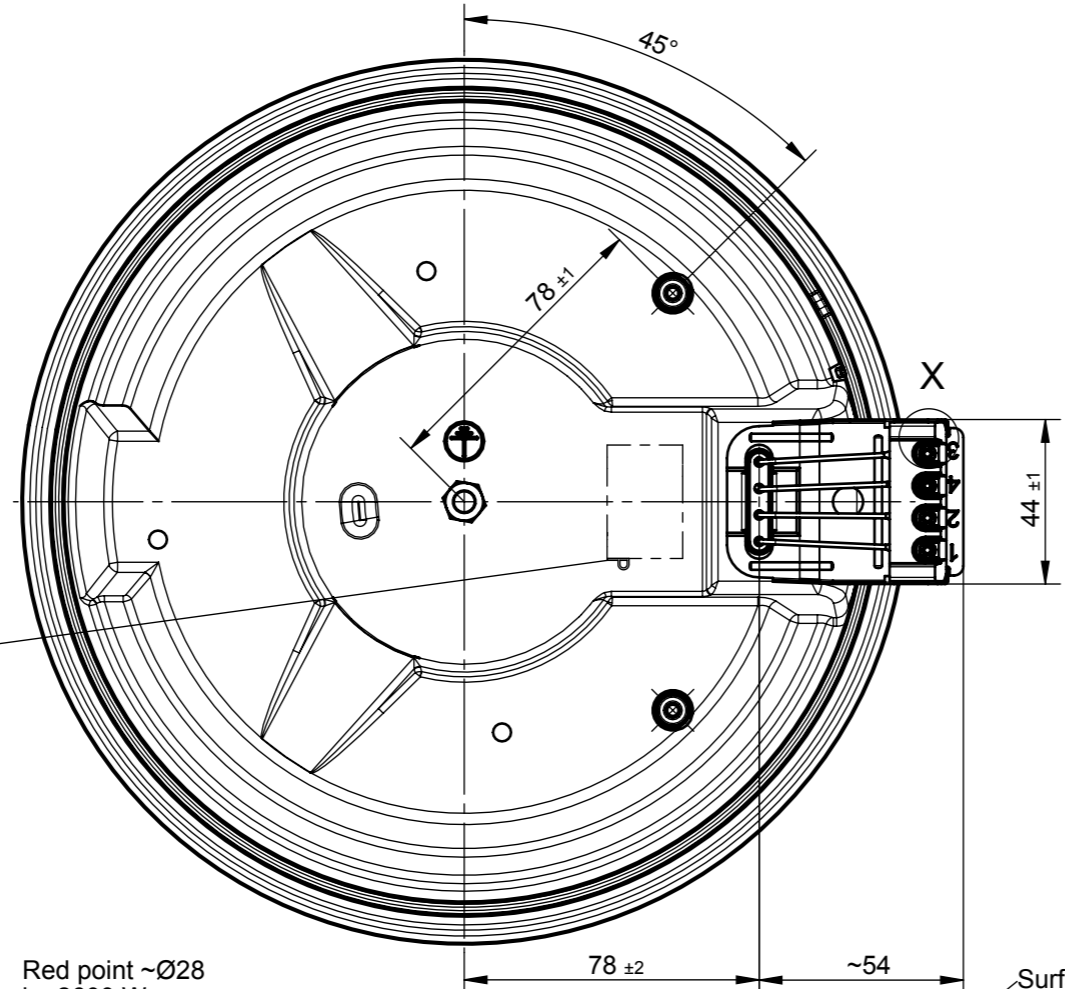
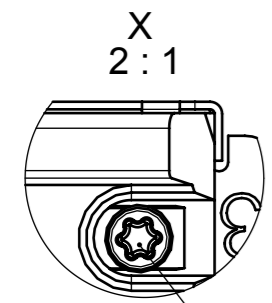
Doc.ID C00004975-006-00-A Doc. status 230 | released
 View date 2017-03-14 Viewed by DECONSOD
 Art.ID 18.22463.018-00/00A SAP Status 2F

18.22463.002
 2000W 230V~
 11 111 15 44

Voltage marking
 230 V without
 240 V blue
 400 V red
 other green

General usage and safety information for hotplates see document 90.60027.135

Marking for protector 2000 W



4	18.22463.019	2600	400	850	450	1300	2600	1750	1300	450	340	240	X	X		53±3
3	18.22463.018	2600	230	850	450	1300	2600	1750	1300	450	340	240	X	X		53±3
2	18.22463.014	2600	440	850	450	1300	2600	1750	1300	450	340	240	X			53±3
1	18.22463.002	2000	230	685	365	950	2000	1320	950	380	270	200	X	X		53±3

		W	V	P1	P2	P3	6	5	4	3	2	1	ECO	ECO	MAKUCJ	"A" in mm
Pos	Type	Power	Voltage	Rated power			Switch positions							Appro.		

This document is exclusively committed to you for the agreed purpose. Any kind of duplication, utilization or communication of its content is prohibited, if not expressly conceded otherwise. Violators are committed to pay compensations. Any claims of existing or future property rights remain unaffected.				Blank No.		EN Mat.No.		Scale Unit	
				Material				mm	
				Surface Texture ISO 1302				Scale	
				General Tolerances ISO 2768-cK				1:2	
				CAD	Date	Name		Designation	
				2016-05-19	MAKUCJ		EGO Hotplate 220		
Cha.	Information No.	Date	Proc.	2016-08-01	MAKUCJ				
F.Rel.	A01766	2016-08-22	Rel.	2016-08-19	LAPANJAA				

Origin		Repl.for		Repl.by		Ref.	
5		6		7		8	

Drawing No. C00004975

Sh.No.	Ver.	Stat.	Sheets	Doc.	Ex.Doc.
006	00	F			