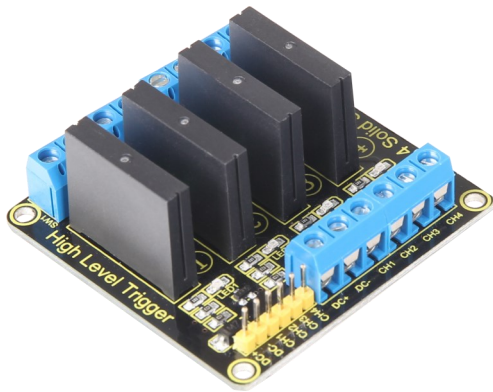


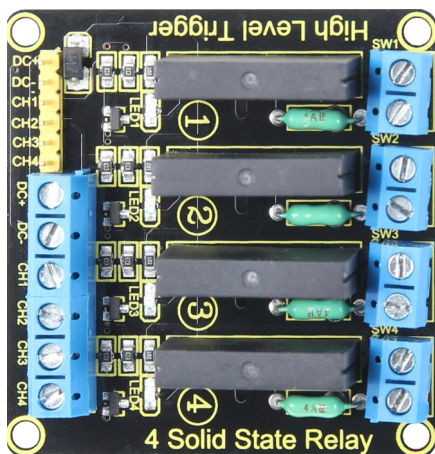
SBC-SSR01

4 Channel Solid State Relais for alternating current



This 4-channel semiconductor relay is suitable for switching alternating current. It has a galvanic isolation by integrated optocouplers and the switching of the load is done with transistors, which is why it has a much longer lifetime than mechanical relays.

CAUTION! Installation only by trained electricians! Hazard of electric shocks, burns and fires due to strong heat generation!



MAIN FEATURES

Type	OMRON SSR
Application areas	Robotic, Microcontroller projects
Compatible with	Raspberry Pi, Arduino, etc.
Special features	Galvanic isolation, transistor switched, with resistive fuse (240V, 2A)
Dimensions	57 x 55 x 23 mm
Items delivered	SBS-SSR01

FURTHER SPECIFICATIONS

Supply voltage	5 V DC
Max. voltage load	240 V AC
Max. current load	2 A per relay
Logic level	0 - 2.5 Volt: Relay OFF 3.3 - 5 Volt: Relay ON
Quiescent current	0 mA
Operating current	12,5 mA
Trigger current	2 mA

FURTHER DETAILS

Article No.	SBC-SSR01
EAN:	4250236820033
Customs Tariff No.	8473302000