

Features:

- 2 ~ 24 circuits available
- 600V volts rating (R.M.S.)
- Current rating up to 9 amperes per circuits
- Positive housing locks
- Max. panel thickness: 2.54mm

Specification:

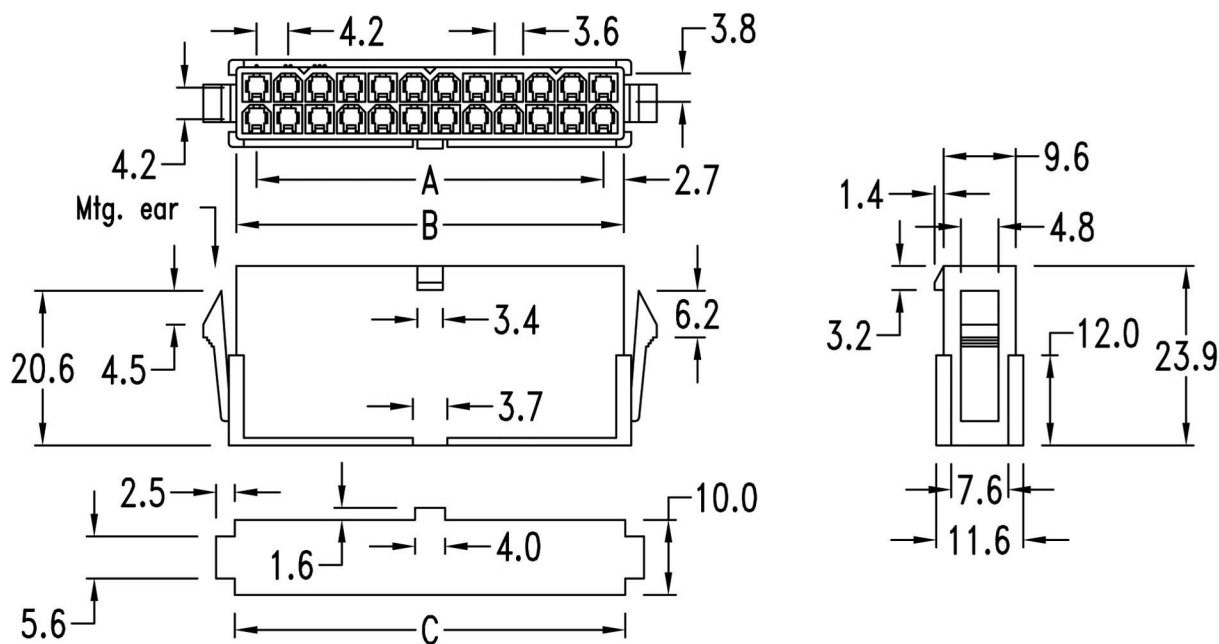
- Current rating and wire size:

Wire Size AWG	Circuits			
	2	4, 6	8, 10	12~24
# 18	9 A	8 A	7 A	6 A
# 20	7 A	6 A	5 A	5 A
# 22	5 A	4 A	4 A	4 A
# 24	4 A	3 A	3 A	3 A

- Voltage rating: 600V AC, DC
- Insulation resistance: DC 500V 1000MΩ min.
- Dielectric withstanding voltage: 1500V AC/minute
- Ambient temperature range: -25°C ~ 85°C
(including temperature rise)

H
5050
—
12
P
D
W
0
0
0
R

- | | | |
|---|---|---|
| <p>1. PRODUCTS:
H:Housing</p> <p>2. SERIES NO.:
5050(Female Housing)</p> <p>3. CONTACT NO.:
02(1x2)-12(1x12)
02(2x1)-24(2x12)</p> | <p>4. CONTACT TYPE:
P:Non Distribution</p> <p>5. ROW TYPE:
S:Single Row
D:Dual Row</p> <p>6. INSULATOR COLOR:
W:White</p> | <p>7. BODY OPTION:
0:W/ Ear
A:W/O Ear</p> <p>8. FILL IT WITH"0"</p> <p>9. MATERIAL:
0:Nylon 66 UL94V-2
1:Nylon 66 UL94V-0</p> <p>10. R:ROHS</p> |
|---|---|---|



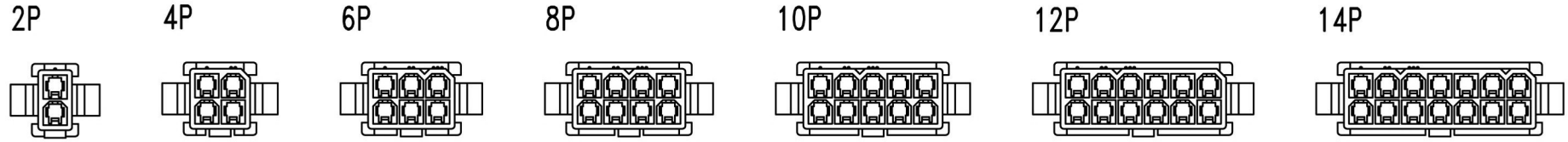
Dimensional Information (mm)

Circuits	Dim. A	Dim. B	Dim. C	Circuits	Dim. A	Dim. B	Dim. C
2		5.6	5.8	14	25.2	30.8	31.0
4	4.2	9.8	10.0	16	29.4	35.0	35.2
6	8.4	14.0	14.2	18	33.6	39.2	39.4
8	12.6	18.2	18.4	20	37.8	43.4	43.6
10	16.8	22.4	22.6	22	42.0	47.6	47.8
12	21.0	26.6	26.8	24	46.2	51.8	52.0

RoHS Compliant	HSM 玄茂科技股份有限公司 HSUAN MAO TECHNOLOGY CO., LTD.	
	APPD. 核准 DWG. 製圖 DATE 制表日 2020/07/31	TOLERANCE 容許公差 .000 ± 0.08 (mm) .00 ± 0.25 (mm) .0 ± 0.4 (mm) SCALE 比例 參考 UNIT 單位 M M PAGE 張數 1 / 1 REV. 版次 B
PART NAME 品名 MINI FIT 4.2mm FEMALE HOUSING 2XXXP WHITE COLOR ROHS		PART NO. 料號 H5050-XXPDW00XR

1 2 3 4 5 6 7 8

A

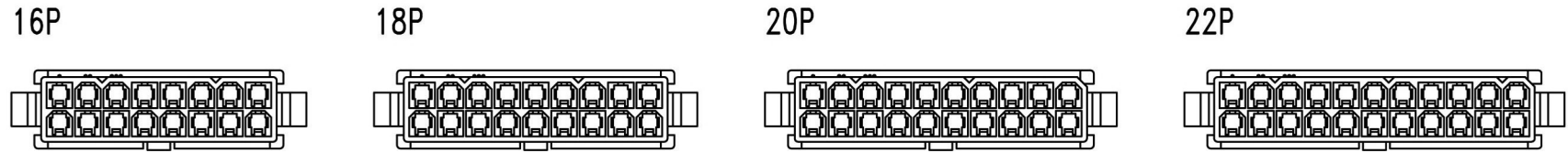


B

A

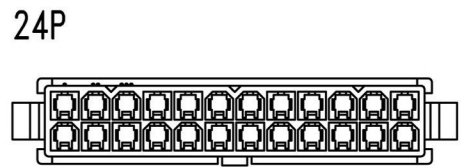
B

C



C

D



D

E

Ordering Information

Part No.	Material	Feature
H5050-XXPDWA00R	UL 94V-2	Without Mtg. ears
H5050-XXPDW000R		With Mtg. ears
H5050-XXPDWA01R	UL 94V-0	Without Mtg. ears
H5050-XXPDW001R		With Mtg. ears

&& xx = 02 ~ 24

E

F

F

G

G

RoHS Compliant		HSM 玄茂科技股份有限公司	
		HSUAN MAO TECHNOLOGY CO., LTD.	
APPD. 核准	 TOLERANCE 容許公差 .000 ± 0.08 (mm) .00 ± 0.25 (mm) .0 ± 0.4 (mm)	PART NAME 品名	
DWG. 製圖		SCALE 比例 參考	MINI FIT 4.2mm FEMALE HOUSING 2XXXP WHITE COLOR ROHS
DATE 制表日	UNIT 單位 M M	SIZE. 紙張尺寸 A 4	PART NO. 料號 H5050-XXPDW00XR
2020/08/03	PAGE 張數 1 / 1	REV. 版次 B	

H

1 2 3 4 5 6 7 8

H