

Mini LED Module 1 LED 0.36W

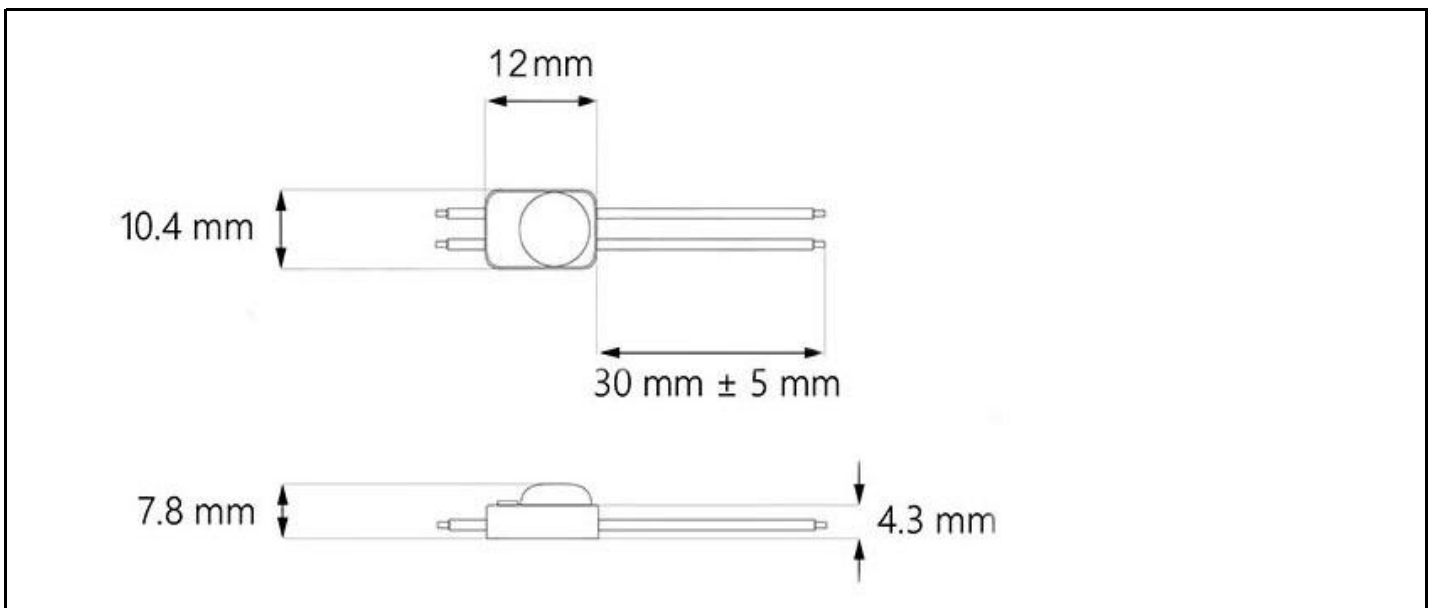
Ideal solution for ultra thin size channel letters & light box from 25mm to 60mm (1 to 2.4 inch)

P/N: MU-1W28S

This module is of very small size, 12*10*7.8mm, equipped with own design optical lens that provide an extremely wide 160° beam angle for uniform illumination



Dimensions(mm):



Features & benefits

- MINI size designed for small letters
- High Efficiency 2835 LED, Up to 95lm/W
- Optical lens design, 160° degree Beam Angle
- High Color consistency (MacAdam 3), Each family one bin
- LM80 international certificate for LEDs
- Light decay < 30% after 50,000 hrs
- 5 years Warranty

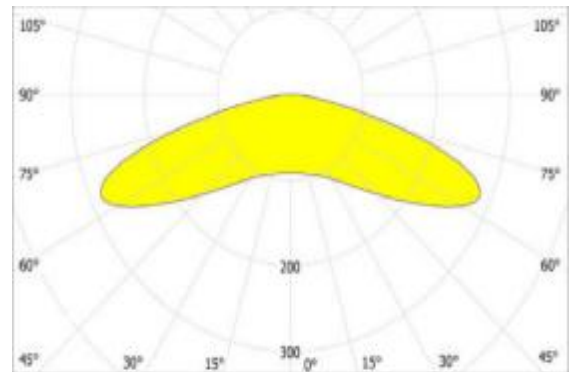
Application

- Ultra thin size channel letters & light box
- Recommended depth 25-60 mm

Technical information

Colors available:	  
Light output:	34lm
Voltage:	12VDC
Power:	0.36W/pc
Color temperature:	2700-11000k
CRI:	>80
LED type:	9V 2835 SMD
LED QTY:	1 LED/pc
Chip Brand:	Epistar
Beam Angle:	160°degree
IP Rate:	IP67
Operating temperature	-25°C~50°C
Demension:	12*10.4*7.8 mm
Driving Method:	Contant Voltage Drive
Certification:	CE and RoHS compliant
Life time:	50,000hrs
Warranty:	5 Years

Light distribution graph



Packing information

Chain: 50 pcs (net weight: 0.075 kg)

Bag: 200 pcs (net weight: 0.3 kg)

Box: 8000 pcs (net weight 12 kg)

Carton Size: 52*37*26 cm

DongSenLED Co., Limited

+86 150 9994 6431 / info@dongsenled.com

www.DongSenLED.com

