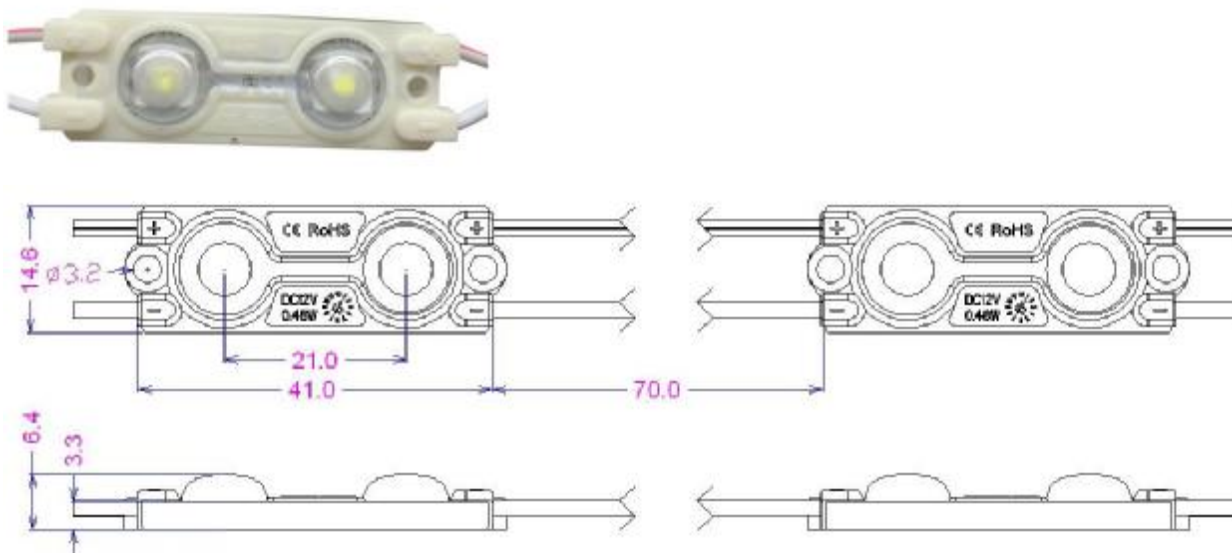


2 LED Injection 2835 led module with lense 12VDC

Picture:



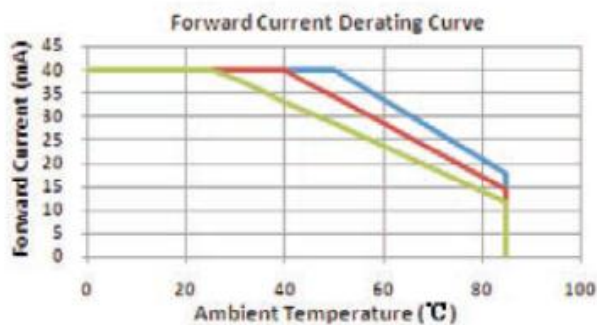
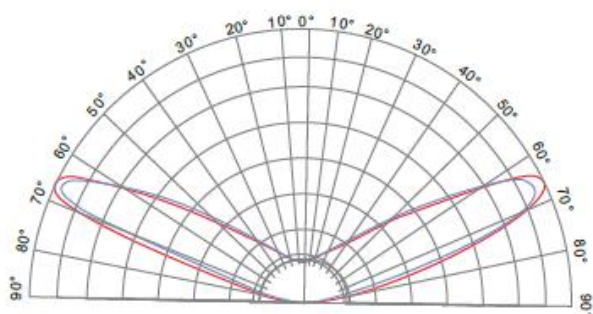
Specification:

Dimension	44x15x6.8 mm				
LED No	2 pcs 2835 SMD LED				
Voltage	Input 12VDC				
View angle	160 degree				
Current	40mA	40mA	40mA	40mA	40mA
Watts	0.48	0.48	0.48	0.48	0.48
Lumen	44-48	10	25	12	14
Color	White	Blue	Green	Yellow	Red
Drive method	Constant Voltage Drive				
Max connection	20 pcs per a Chain				
Working temp	-20~+60°C				
IP rate	IP67				
Cover	Milky white ABS				
Warranty	36 months				
Certificate	CE/ROHS				
Part No	MS-2W28	MS-2B28	MS-2G28	MS-2Y28	MS-2R28

Feature:

- 2 Bigger Size Chip 2835 LED, 22-24lumen/led, Long Life, Low encapsulation.
- 2 Suitable for Super Thin channel letters and light boxes, No Spot, No Shadow.
- 2 Injection molding process, IP Rate: IP67, waterproof.
- 2 Exposed Aluminum pcb design, perfect heat dissipation
- 2 Adopt Top 2835 SMD LED, Original Epistar chip from Taiwan
- 2 Long life span, 50,000 hrs

Distribution curve



Packing

Every 20 pcs per a string, every 5 string in an anti-static bag, 2500 pcs per a carton box.

Carton size: 52*37*26 cm.

Net Weight: 5.6 g/pc; 560 g/bag; 14 kg/carton.

