



CATALOG

LARNITECH

2020



CONTENTS

About Us	3
Our advantages	4
Larnitech Smart Home System Architecture	5
Metaforsa – DE-MG comparison	8
Safety requirements	10
Metaforsa series	11
Metaforsa2 MF-14	12
Metaforsa MF-10	13
DW-HT07	14
DW-HT05	15
DIN rail equipment	16
DE-MG	17
DE-GW	18
DW-LC18	19
DW-LC10	20
DW-LC07	21
DW-DM06	22
DW-DM04	23
DW-DM02	24
DW-HC10	25
DW-RGB03	26
DW-BC03	27
DW-WL02	28
DW-SW16	29
DW-RS485	30
DW-RS232	31
DW-UART	32
DW-010	33
DW-DALI2	34
DW-DISPATCH	35



Pattress box equipment.....	36
BW-LC02	37
BW-DM	38
BW-BC-PW.....	39
BW-BC-LC.....	40
BW-RGB.....	41
BW-SW06	42
BW-LSA	43
BW-IO	44
BW-NA.....	45
BW-RS485	46
BW-RS232	47
BW-UART.....	48
BW-010.....	49
Sensors	50
CW-HTMLI-II / CW-CO2	51
CW-HTMLI	52
CW-MLI.A / CW-M.A.....	53
WW-HTL	54
WW-TS	55
FW-TS	56
FW-FT	57
EW-WL	58
FW-WL	59
Multiroom	60
FE-MP	61
FE-IC	62
LCP8	63
Notes	64



ABOUT US

Larnitech is a developer and manufacturer of 'Smart Home' systems for home and office automation. The head office of the company is located in Frondenberg (Germany).

Our new product line combines easy mounting and installation with a wide range of the system functional features. The use of modern elements allows us to create compact and economical devices.

Our team of designers and software developers has created user-friendly software for managing the system, which allows our clients to manage the most sophisticated tasks.

The modern world is experiencing an unprecedented boost in the sphere of IT. We, at Larnitech, are fully aware of this trend and are doing everything in our power to provide our own share of innovations in the field of smart house technology. We strive to become a leader in our market niche. Through our high-tech environment-friendly products, we contribute to saving the world's natural resources and fulfil our mission of developing modern housing that combines progressive ideas, comfort and safety.



OUR ADVANTAGES

- Really quick and easy equipment setup with true Plug&Play technology
- The basic setup of the system is done from a tablet and does not require special coding skills
- Reliable support service, which responds to any queries fast
- Great conditions for cooperation
- Training provided
- Numerous ready-made scenarios (that enable the creation of a home that's truly smart)
- Voice control (Alexa, Siri and Google Home integrated)
- Free software for iOS, Android, Windows, Mac, Linux
- Remote control from any point of the world (Using cloud connection)
- German quality
- Integration with Philips Hue, IKEA, Sonos, Satel, Dynalite, IFTTT, IntesisBox, CoolMaster and many others
- The multiroom system is fully integrated into the Smart Home system (it is used in scenarios, voice announcements, 'following' sound and others)
- Distributed logic with flexible architecture (there is no 'central element', increased reliability, varying scope of the project, connection of up to 1000 devices)
- A wide range of equipment on offer allows to control all systems of a building
- Intuitive interface for creating scripts using visual language Blockly, programming skills are not required

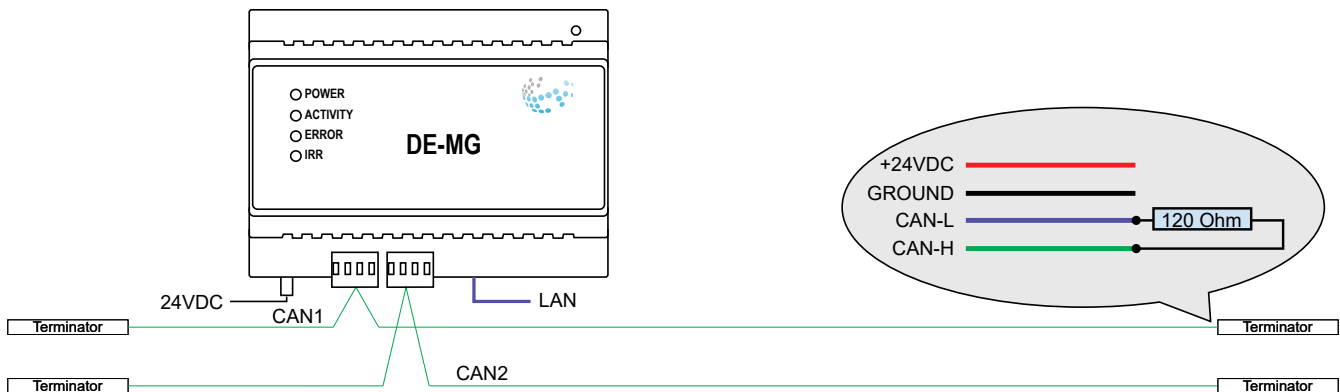


LARNITECH SMART HOME SYSTEM ARCHITECTURE

The Main Gateway is the core device of the system. Its main task is to configure the system, and provide the logic for its operation. It also keeps track of the sensors data and provides authorized access to the system. The Main Gateway is connected to the local network. It has 2 CAN bus ports.

The CAN bus is used to connect the sensors and actuators to the system. Terminators, 120 Ohm resistors, need to be installed at the end of the CAN bus.

As can be seen from the table below, a four- wire bus is used (two twisted pairs) with a maximum length of eight hundred meters. A maximum of 50 devices can be connected to each CAN bus.

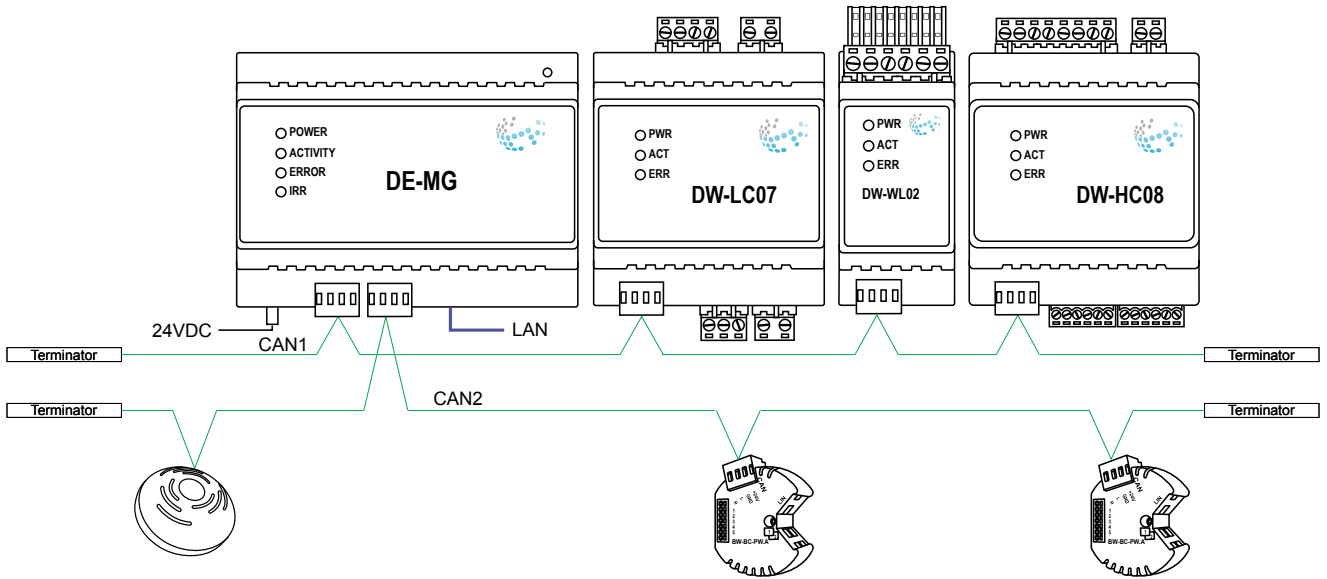


Topology	BUS
CAN BUS wire type	FTP/UTP CAT 5E
Number of wires used	4-wire bus (two twisted pairs)
Max CAN BUS length	800 m* (twisted pair 5 cat)
Max devices per CAN BUS	50
Terminator type	Resistance 120 Ohm

* installing additional power supply units is required for long lines; the maximum length of the line may be reduced by various interference factors

The following diagram shows how modules can be connected to the system. In the drawing below a 7-channel actuator, a leak control module and a heating control module have been connected to the first CAN bus.

The second CAN bus has a four-in-one multi-sensor, a dimmer and a two-channel pattress box space actuator. In such a manner up to 100 devices can be connected to the main gateway.



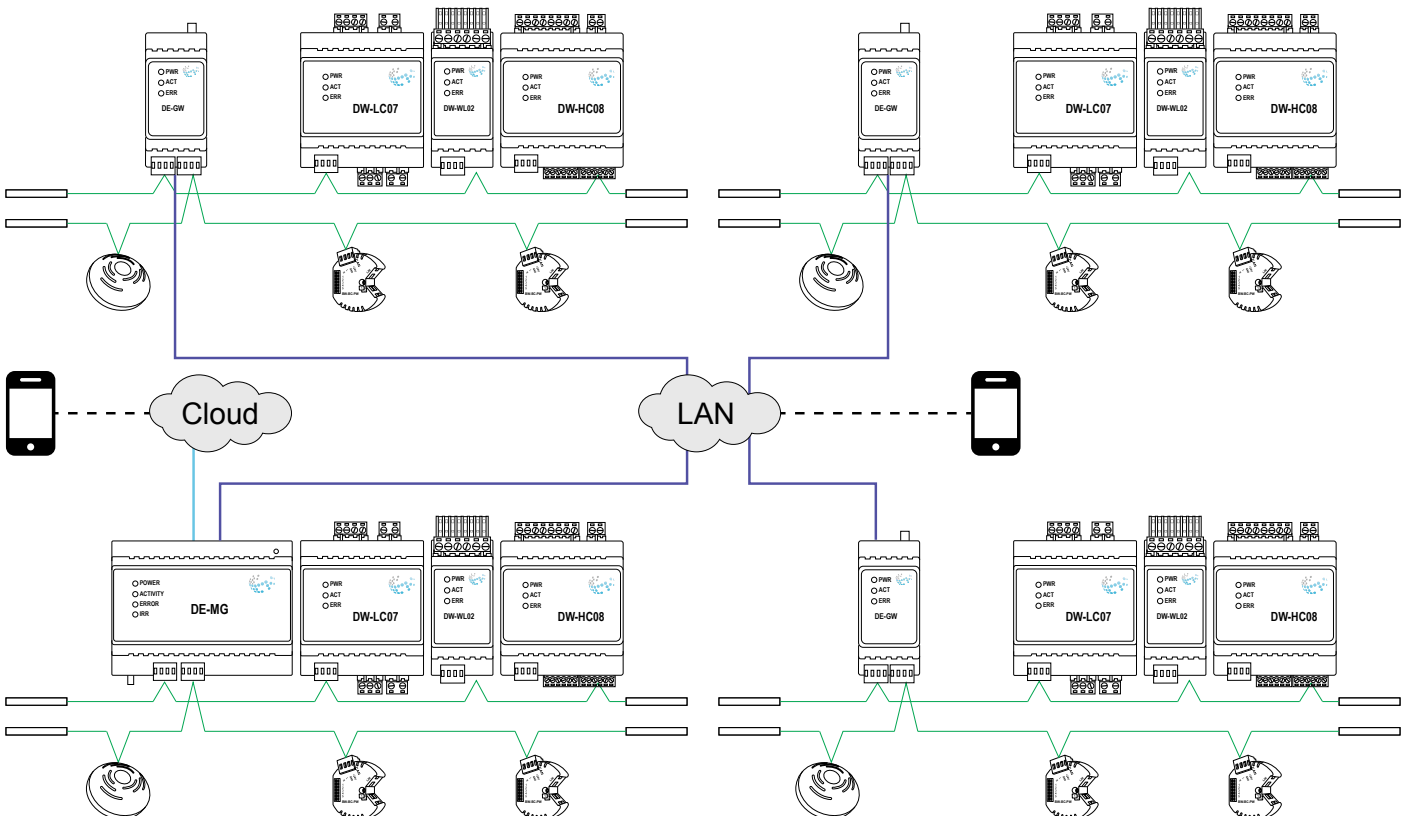
In its turn, the main gateway is connected to the Local Area Network.

If the building where the system is set up has several floors or 100 devices are not sufficient for performing all of your tasks, additional extension modules are connected to the system. Each of them gives the user the ability to connect 100 more devices.

As many extension modules as needed may be added, therefore the system can be expanded almost indefinitely. This way via the Local Area Network numerous CAN networks can be united into one network with the total number of up to 1000 controlled modules.

Tablets or smartphones get connected to the local area network via Wi-Fi. After installing the Larnitech application on your tablet or phone, you can control the devices in the system.

The main gateway is connected to the cloud, which allows to get authorized remote access to the Smart Home.





The multiroom system is integrated via the local area network. The media points allow to reproduce music from your home storage and internet radio. The multiroom system is deeply integrated into the Smart Home system, which allows using it in various scenarios. For example, when you leave your home, the scenario 'I'm gone' can be activated. In this scenario the system turns off the lighting, puts the climate control system in the energy saving mode and with the help of the multiroom system can tell you about the unlocked back door or an open window.

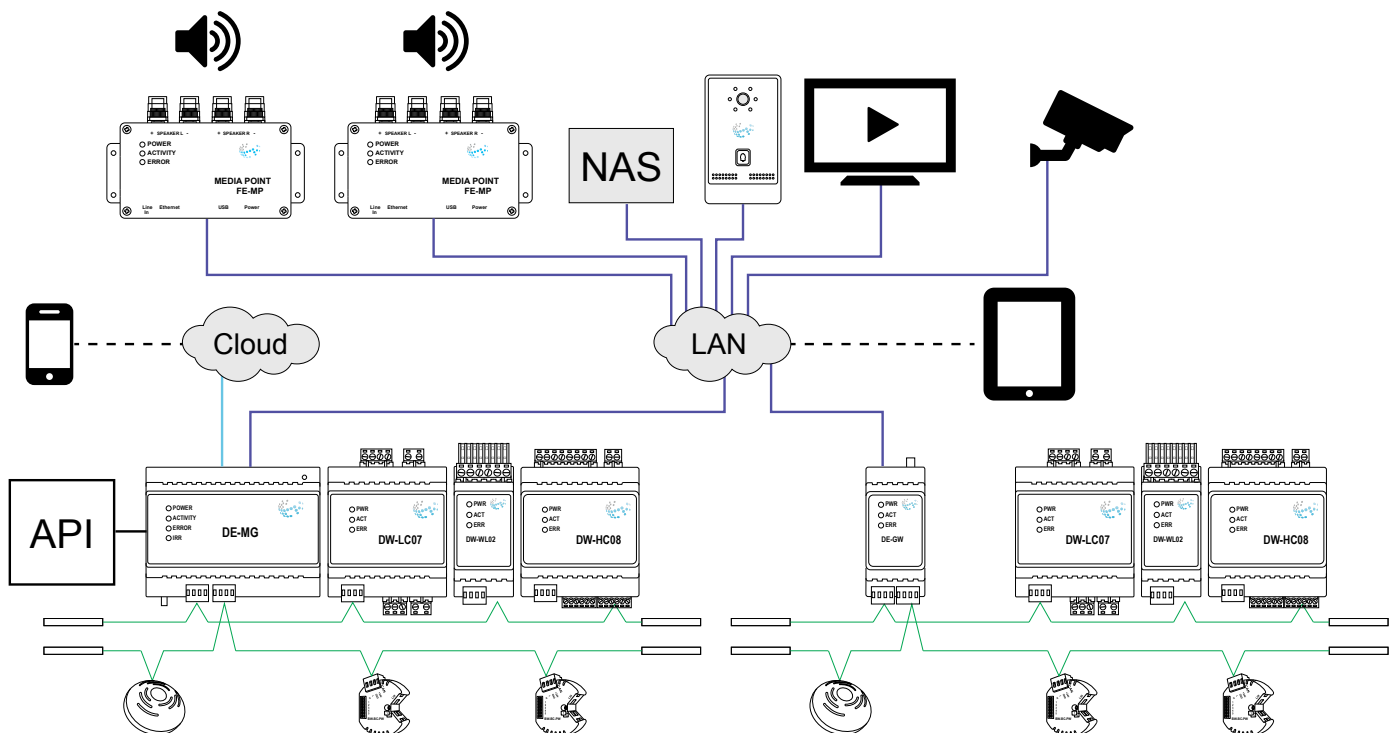
Many media points can be connected to the system, which will allow listening to music in various areas. The music may be taken from your network attached storage (NAS).

The system allows the use of the intercom. When someone rings your doorbell, the multiroom system will play the notification about it. Of course, it will only do that in the areas where you want the notification to be played. If the property owner is not at home, the system will let them speak to the visitor via the application on their smartphone or tablet.

The multiroom system lets the user control smart TV and other devices which support the DLNA standard.

If you connect the IP cameras to the system, you will be able to see the corresponding areas through our application.

The API can be provided by Larnitech, which lets the third-party applications, after they are authorized, get the information from the Smart Home system and control its devices.





METAFORSA – DE-MG COMPARISON

Larnitech GmbH offers smart home systems of two varieties: the simplified basic system called Metaforosa and the full-function Larnitech Smart Home, based on the DE-MG (main gateway) module. The table below offers the comparison between the two options.

Feature	DE-MG	Metaforosa	Metaforosa2
Quantity of supported extra modules This is the quantity of extra modules that can be connected to the Smart Home system	999	4 ¹	4 ¹
Lighting scenarios There is a possibility of creating various lighting scenarios	+	+	+
Lighting automation Lighting automation is based on motion detectors, level of lighting, door position, time and date	+	+	+
Quantity of additional scenarios This is the number of additional scenarios that can be used in the system. Lighting scenarios and lighting automation are considered basic functions and are not included in this list	150+ ²	70+ ¹²	70+ ¹²
Quantity of IP cameras that can be integrated into the system This function allows to view the image captured by IP cameras and to control them using the Larnitech Smart Home application	99	1	1
Possibility of creating custom scenarios Possibility of creating custom scenarios that do not exist in the database	+	– ¹	– ¹
Voice control (Siri, Alexa, Google Home, Alisa)	+	+	+
Support of multiroom system Ability to integrate the media points into the Smart Home system in order to play the voice messages and control media content	local/remote	local only	local only
Doorbell Possibility to connect the FE-IC doorbell to Larnitech Smart Home system	local/remote	local/remote	local/remote



Feature	DE-MG	Metafora	Metafora2
Support of third party media devices Possibility to control the third party media devices that support the DLNA protocol	local/remote	local only	local only
Remote control Remote connection that allows to control all Smart Home systems through direct or cloud connection	+	+	+
API Application programming interface that allows to exchange data and commands with third party applications	+	+	+
Plug & Play Technology that automatically detects and preconfigures new devices connected to the system	+	+	+
Video cloud Possibility to view the image from IP cameras with the help of cloud connection	+	limited	limited
Number of relay outputs Quantity of output channels that are built into the module in order to connect the load	—	10	10
Number of discrete inputs Quantity of input channels that are built into the module in order to connect the sensors and buttons	—	16	24
Number of dimming channels Quantity of dimming channels that are built into the module in order to connect the dimming lamps	—	—	4
Number of CAN ports Quantity of CAN ports in order to connect additional modules	2	1	1
Built-in IR receiver Infrared receiver used to set up a universal remote	+	—	—

¹ Can be extended with the license

² Continually expands



SAFETY REQUIREMENTS

CAUTION! All work related to the installation, connection, setting up, service and support must be carried out by qualified personnel with sufficient skills and experience in working with electrical equipment.

To avoid the risk of fire, electric shock, damage to the system and / or personal injury, the system installation and assembly must be performed in accordance with the instructions listed below:

- all connection work must be carried out without power;
- use appropriate tools and personal protection against electric shock;
- do not use damaged cables, wires and connectors;
- avoid folding cables and wires;
- do not pinch or kink the cables and wires by applying excessive force. Otherwise, inner conductors of the cables and wires may be stripped or broken;
- do not use the power socket with poor contacts to connect;
- do not exceed the load limit parameters specified in this manual;
- the supply conductors wire section is subject to the specifications for current density limit, insulation type and wire material. Light section can result in cable overheating and fire.

When working with the system after voltage supply NEVER:

- connect/disconnect the connectors;
- open modules and sensors.



METAFORSA SERIES

Metafora2 MF-14

It is a completely ready-to-install kit of the Smart Home system. The kit includes the main unit, 3 motion sensors, 2 FW-WL leakage sensors, 4 FW-TS temperature sensors, 4 reed switches, and a PSU.



FEATURES

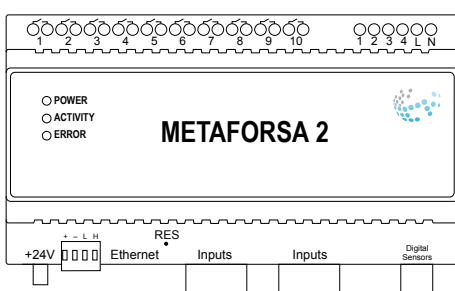
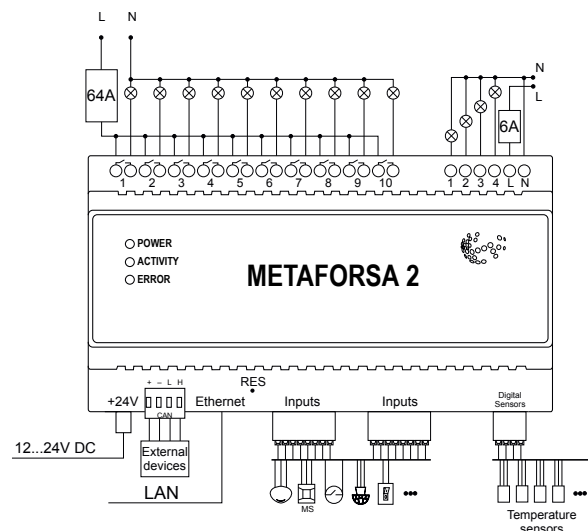
- 10 universal outputs support:
 - Lights
 - NC/NO heating valves
 - Blinds
 - 1 or 2-pole gates
 - 1 or 2-pole valves
 - NC/NO locks
 - Fan coil units
- 4 dimming outputs
- 24 Discreet inputs that support:
 - Buttons
 - Switches
 - reed switches
 - leak sensors
 - motion detectors
- 4 digital inputs for up to 8 temperature sensors
- Extension port
- Relays with AgSnO2 contacts rated for 80A 20ms inrush current
- Cloud connection and control of all house systems
- Voice control (Siri, Alexa, Google Home)

Module parameters

Parameter name	Value
Switching channels quantity	10
Dimming channels quantity	4
Discrete input channels qty	24
Digital input channels qty	4
Input voltage	0-250 V
Current type	AC/DC
Max load per channel	16A
Max load per dimming channel	0.5A (110W at 220V)
Power supply	12 ... 27.5 V DC
Max current(24V)	0.5 A
BUS type	CAN
Max CAN bus length	800 m* (twisted pair 5 cat)
Equipment installation type	DIN rail(EN 60715)
Case material	ABS
Protection	IP40
Temperature range	-10 ... +50 °C
Size	9U, 156x90x58 mm
Weight	350 g

* installing additional power supply units is required for long lines; the maximum length of the line may be reduced by various interference factors

Connection example





Metafora MF-10

It is a completely ready-to-install kit of the Smart Home system. The kit includes the main unit, 3 motion sensors, 2 FW-WL leakage sensors, 4 FW-TS temperature sensors, 4 reed switches, and a PSU.



FEATURES

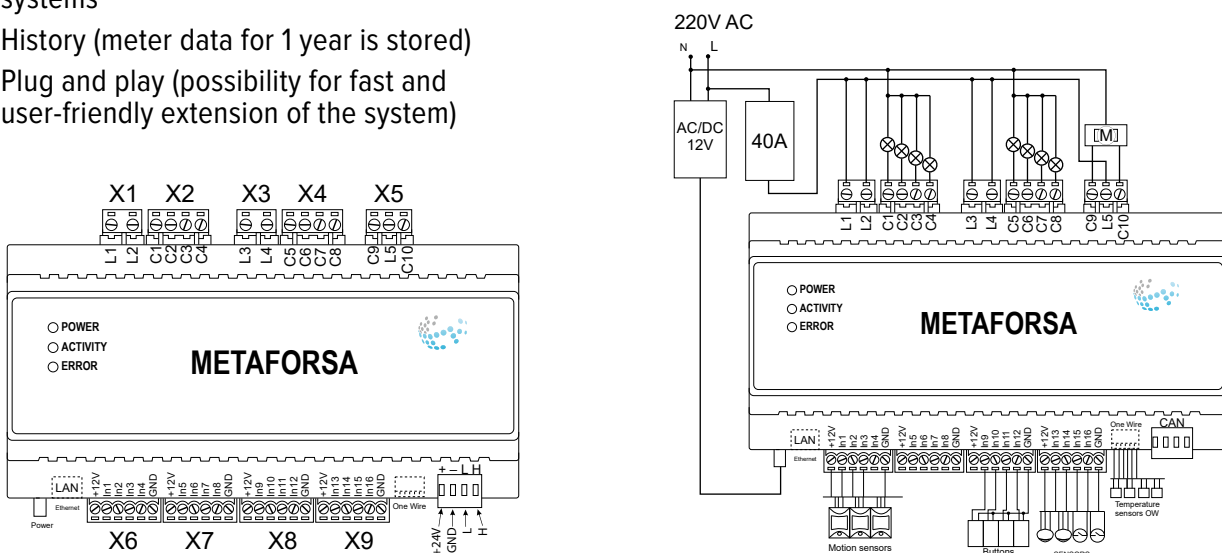
- 10 universal outputs support:
 - Lights
 - NC/NO heating valves
 - Blinds
 - 1 or 2-pole gates
 - 1 or 2-pole valves
 - NC/NO locks
 - Fan coil units
- 16 Discreet inputs that support:
 - Buttons
 - Switches
 - Reed switches
 - Leak sensors
 - Motion detectors
- 4 digital inputs for up to 8 temperature sensors
- Extension port
- Cloud connection and control of all house systems
- History (meter data for 1 year is stored)
- Plug and play (possibility for fast and user-friendly extension of the system)

Module parameters

Parameter name	Value
Output channels qty	10
Discrete input channels qty	16
Digital input channels qty	4
Input voltage	0-250 V
Current type	AC/DC
Max load per channel	8A
Max load per group	20A
Power supply	11.5 ... 12.5 V DC
Max current(12V)	1 A
BUS type	CAN
Max CAN bus length	800 m* (twisted pair 5 cat)
Equipment installation type	DIN rail(EN 60715)
Case material	ABS
Protection	IP40
Temperature range	-10 ... +50 °C
Size	9U, 156x90x58 mm
Weight	350 g

* installing additional power supply units is required for long lines; the maximum length of the line may be reduced by various interference factors

Connection example



DW-HT07

7-CHANNEL EXTENSION MODULE

This module has 7 outputs for connecting the load and 12 inputs for connecting various sensors/buttons.



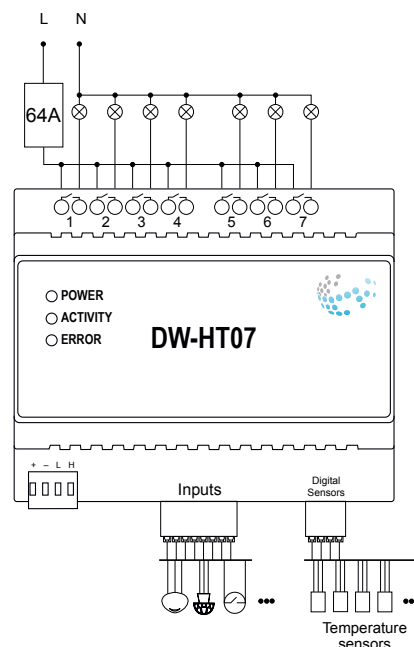
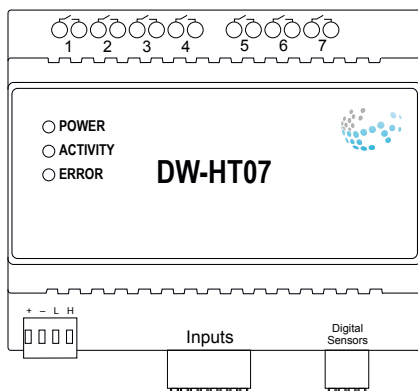
FEATURES

- 7 universal outputs support:
 - Lights
 - NC/NO heating valves
 - Blinds
 - 1 or 2-pole gates
 - 1 or 2-pole valves
 - NC/NO locks
 - Fan coil units
- 12 Discreet inputs that support:
 - Buttons
 - Switches
 - Reed switches
 - Leak sensors
 - Motion detectors
- 4 digital inputs for up to 8 temperature sensors

Module parameters

Parameter name	Value
Output channels qty	7
Discrete input channels qty	12
Digital input channels qty	4
Input voltage	0-250 V
Current type	AC/DC
Max load per channel	16A
Power supply	11.5 ... 27.5 V DC from CAN
Max current(24V)	140 mA
BUS type	CAN
Equipment installation type	DIN rail(EN 60715)
Case material	ABS
Protection	IP40
Temperature range	-10 ... +50 °C
Size	6U, 105x110x58 mm
Weight	255 g

Connection example





DW-HT05

5-CHANNEL

MODULE

Has 5 outputs for connecting load and 12 inputs for connecting various sensors/buttons.



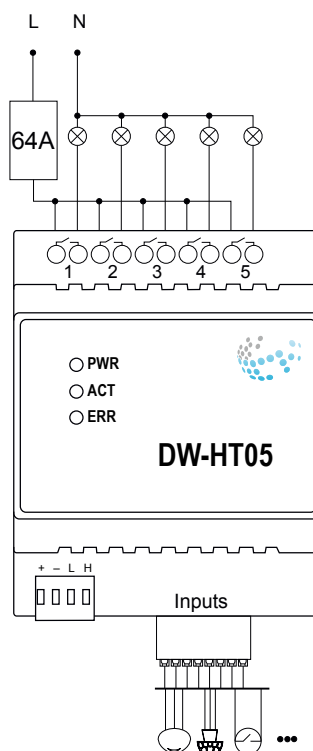
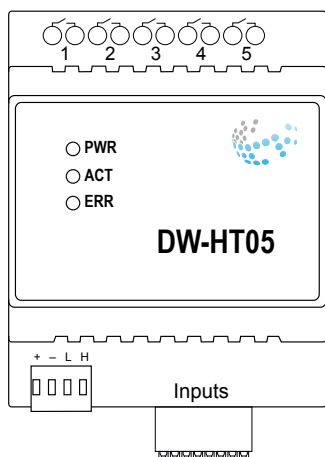
FEATURES

- 5 universal outputs support:
 - Lights
 - NC/NO heating valves
 - Blinds
 - 1 or 2-pole gates
 - 1 or 2-pole valves
 - NC/NO locks
 - Fan coil units
- 12 Discreet inputs that support:
 - Buttons
 - Switches
 - Reed switches
 - Leak sensors
 - Motion detectors

Module parameters

Parameter name	Value
Output channels qty	5
Discrete input channels qty	12
Input voltage	0-250 V
Current type	AC/DC
Max load per channel	16A
Power supply	11.5 ... 27.5 V DC from CAN
Max current(24V)	110 mA
BUS type	CAN
Equipment installation type	DIN rail(EN 60715)
Case material	ABS
Protection	IP40
Temperature range	-10 ... +50 °C
Size	4U, 69x110x58 mm
Weight	110 g

Connection example





go to wiki.larnitech.com

[go to contents](#)

DIN RAIL EQUIPMENT



DE-MG MAIN GATEWAY

It is used for accumulation and storage of system data. The device determines the logical scheme of the system and allows authorized access to the system via the Internet. It also converts Ethernet into CAN bus and vice versa. DE-MG has a built-in IR receiver.



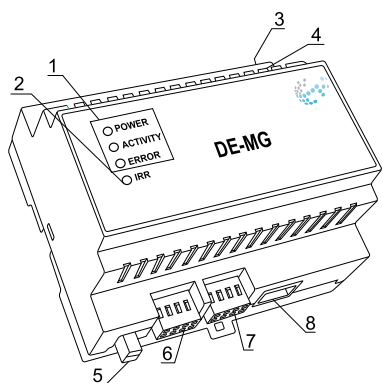
FEATURES

- One DE-MG can manage up to 1000 devices
- Cloud connection and control of all house systems
- Voice control (Siri, Alexa, Google Home)
- Plugins engine allows expanding the system possibilities (e.g. integrating with Satel, Philips Hue, Nest)
- Safety against unauthorized intrusion ensured with RSA/AES256 encryption
- Push notifications from the system on your phone (also possible to receive through Telegram and Viber messengers)
- History (meter data for 1 year is stored)
- Plug and play (possibility for fast and user-friendly extension of the system)
- Large constantly updated database of scripts to meet all your needs
- Automatic daily backups via cloud with the possibility to restore the initial configuration
- Open API
- Interactive and user-friendly LT SETUP Web interface available for advanced configuration

Module parameters

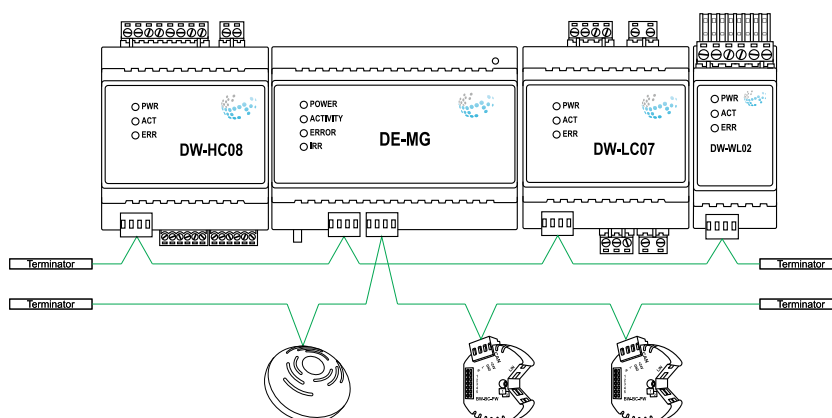
Parameter name	Value
Type of connection	CAN, Ethernet
Input/output interfaces	Ethernet, 2xCAN
Data speed	10/100Mb/s
Max CAN devices	100(50 per CAN)
CAN bus topology	BUS
Number of CAN ports	2
Power supply	11.5 ... 27.5 V DC 24V, 2.5A Recommended
Max own current (24V)	140mA
Max CAN bus length	800 m* (twisted pair 5 cat)
Max CAN bus current	700mA
IR Receiver angle	30°
Case material	ABS
Protection	IP40
Equipment installation type	DIN rail(EN 60715)
Temperature range	-10 ... +50°C
Size	6U, 104x90x58 mm
Weight	145 g

* installing additional power supply units is required for long lines; the maximum length of the line may be reduced by various interference factors



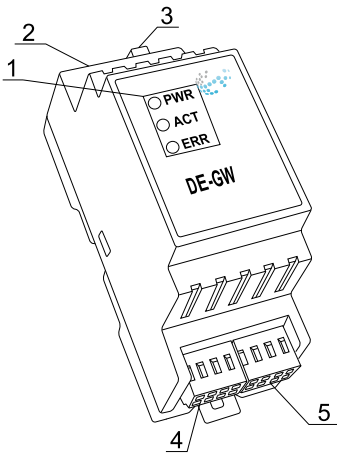
1. Indicators
2. IR Receiver
3. Recovery button
4. Recovery LED
5. Power supply
6. CAN1
7. CAN2
8. Ethernet

Connection example



DE-GW GATEWAY

This module is used to connect two additional CAN networks to the system. It also converts Ethernet into CAN bus and vice versa.



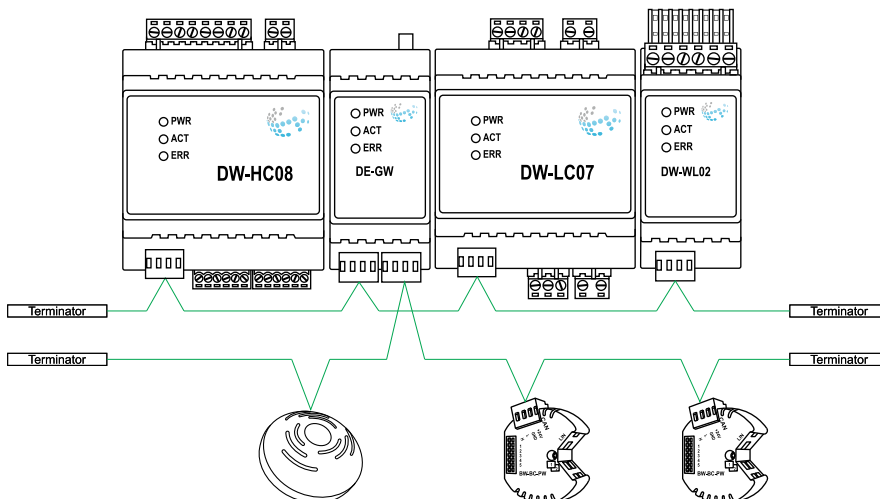
- 1. Indicators
- 2. Ethernet
- 3. Power supply
- 4. CAN1
- 5. CAN2

Module parameters

Parameter name	Value
Type of connection	CAN, Ethernet
Input/output interfaces	Ethernet, 2xCAN
Data speed	10/100Mb/s
Max CAN devices	100(50 per CAN)
CAN bus topology	BUS
Number of CAN ports	2
Power supply	11.5 ... 27.5 V DC 24V, 2.5A Recommended
Max own current (24V)	60mA
Max CAN bus length	800 m* (twisted pair 5 cat)
Max CAN bus current	700mA
Case material	ABS
Protection	IP40
Equipment installation type	DIN rail(EN 60715)
Temperature range	-10 ... +50°C
Size	2U, 35x90x58 mm
Weight	65 g

* installing additional power supply units is required for long lines; the maximum length of the line may be reduced by various interference factors

Connection example





DW-LC18

18-CHANNEL ACTUATOR

This module is designed for high power AC/DC circuits commutation. Applicable for light, power sockets, for control of fan coil units, locks, blinds/gates.



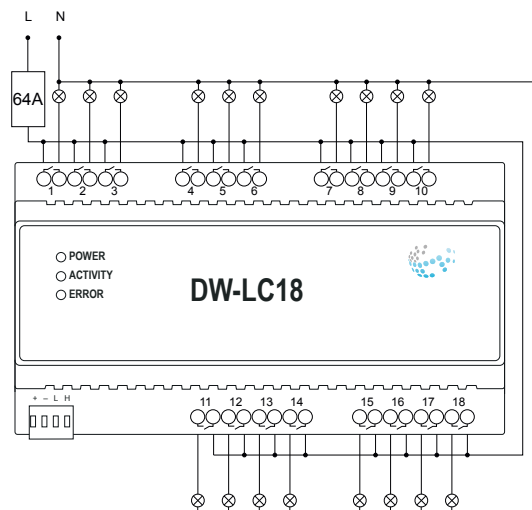
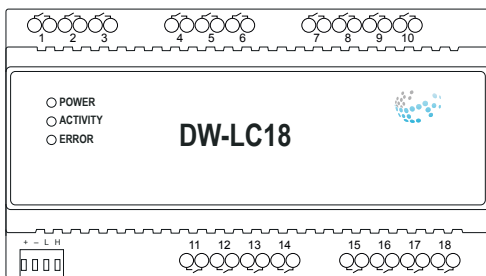
FEATURES

- Control of a wide range of devices:
 - Lights
 - NC/NO heating valves
 - Blinds
 - 1 or 2-pole gates
 - 1 or 2-pole valves
 - NC/NO locks
 - Fan coil units
- Relays with AgSnO2 contacts rated for 16A continuous load and 120A 20ms inrush current
- Low noise relay switching
- Fast and easy mounting/dismounting of connectors
- Built-in logical unit
- Plug and play feature
- Regular software updates

Module parameters

Parameter name	Value
Output channels qty	18
Input voltage	0-250V
Current type	AC/DC
Max load per channel	16 A
Power supply	18 ... 27.5 V DC from CAN
Max current(24V)	315 mA
Permissible section of power supply cable to connect in socket:	
single-conductor cable	0.5 ... 4mm ²
multiple-conductor cable	0.5 ... 4mm ²
tipped multiple-conductor cable	0.5 ... 2.5mm ²
Bus type	CAN (4-wire)
Equipment installation type	DIN rail(EN 60715)
Case material	ABS
Protection	IP40
Temperature range	-10 ... +50 °C
Size	9U, 156x116x58 mm
Weight	375 g

Connection example



DW-LC10

10-CHANNEL ACTUATOR

This module is designed for high power AC/DC circuits commutation. Applicable for light, power sockets, for control of fan coil units, locks, blinds/gates.



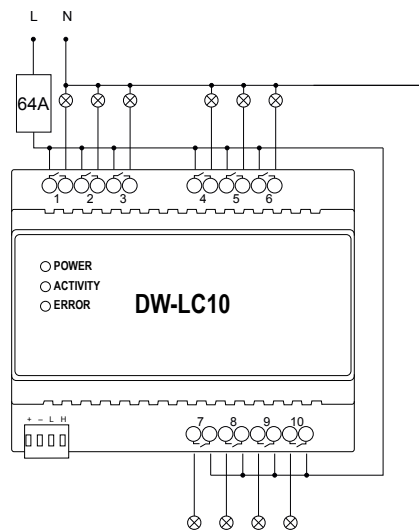
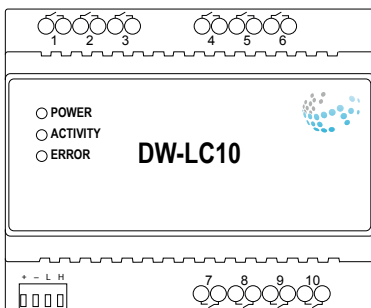
FEATURES

- Control of a wide range of devices:
 - Lights
 - NC/NO heating valves
 - Blinds
 - 1 or 2-pole gates
 - 1 or 2-pole valves
 - NC/NO locks
 - Fan coil units
- Relays with AgSnO₂ contacts rated for 16A continuous load and 120A 20ms inrush current
- Low noise relay switching
- Fast and easy mounting/dismounting of connectors
- Built-in logical unit
- Plug and play feature
- Regular software updates

Module parameters

Parameter name	Value
Output channels qty	10
Input voltage	0-250V
Current type	AC/DC
Max load per channel	16 A
Power supply	11.5 ... 27.5 V DC from CAN
Max current(24V)	315 mA
Permissible section of power supply cable to connect in socket:	
single-conductor cable	0.5 ... 4mm ²
multiple-conductor cable	0.5 ... 4mm ²
tipped multiple-conductor cable	0.5 ... 2.5mm ²
Bus type	CAN (4-wire)
Equipment installation type	DIN rail(EN 60715)
Case material	ABS
Protection	IP40
Temperature range	-10 ... +50 °C
Size	6U, 105x115x58 mm
Weight	250 g

Connection example





DW-LC07

7-CHANNEL ACTUATOR

This module is designed for high power AC/DC circuits commutation. Applicable for light, power sockets, for control of fan coil units, locks, blinds/gates.

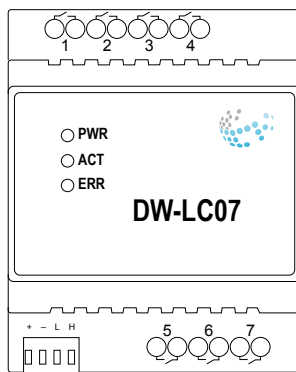


FEATURES

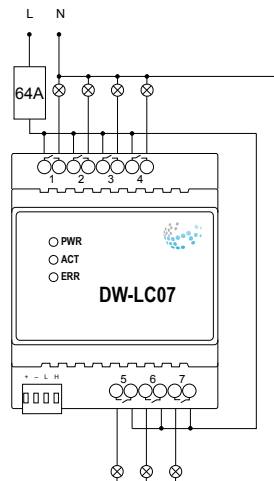
- Control of a wide range of devices:
 - Lights
 - NC/NO heating valves
 - Blinds
 - 1 or 2-pole gates
 - 1 or 2-pole valves
 - NC/NO locks
 - Fan coil units
- Relays with AgSnO2 contacts rated for 16A continuous load and 120A 20ms inrush current
- Low noise relay switching
- Fast and easy mounting/dismounting of connectors
- Built-in logical unit
- Plug and play feature
- Regular software updates

Module parameters

Parameter name	Value
Output channels qty	7
Input voltage	0-250V
Current type	AC/DC
Max load per channel	16 A
Power supply	11.5 ... 27.5 V DC from CAN
Max current(24V)	315 mA
Permissible section of power supply cable to connect in socket: single-conductor cable multiple-conductor cable tipped multiple-conductor cable	0.5 ... 4mm ² 0.5 ... 4mm ² 0.5 ... 2.5mm ²
Bus type	CAN (4-wire)
Equipment installation type	DIN rail(EN 60715)
Case material	ABS
Protection	IP40
Temperature range	-10 ... +50 °C
Size	4U, 69x115x58 mm
Weight	180 g



Connection example



DW-DM06

6-CHANNEL DIMMER

This module is designed for smooth adjustment of brightness of lighting devices (non reactive load). The dimmer type is MOSFET with trailing edge dimming.

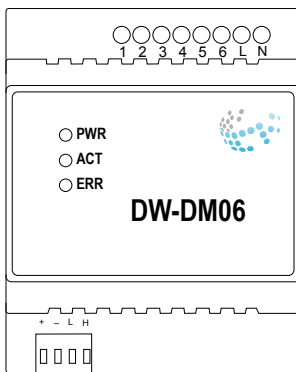


FEATURES

- R/C load type supports (6 x 200 W)
- Works with halogen /LED lights
- Advanced LED light settings
- Soft start mode
- Overload protection
- Overheating protection
- Short-circuit protection
- Plug and play (automatically detected and configured by the system)
- In-built logical unit
- Regular system updates

Module parameters

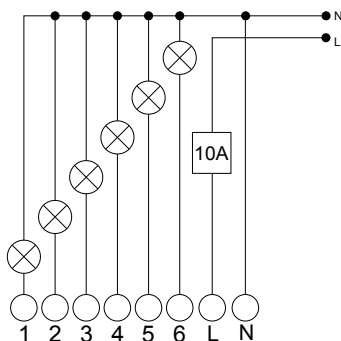
Parameter name	Value
Output channels qty	6
Input voltage	100-240V AC, 50-60 Hz
Current type	AC
Max load per device	5.45A (1200W at 220V)
Max load per channel	0.9A (200W at 220V)
Dimmer type	MOSFET
Dimming type	trailing edge
Power supply	11.5 ... 27.5 V DC from CAN
Max current (24V)	35 mA
Bus type	CAN (4-wire)
Equipment installation type	DIN-rail (EN 60715)
Case material	ABS
Protection	IP40
Temperature range	-10 ... +50 °C
Size	4U, 69x102x58 mm
Weight	180 g



Supported load types

Load type	Value
Conventional incandescent lamps	0-200W
Halogen light sources	0-200W
LED lamps with dimming support	0-200W
Energy saving lamps with dimming support	0-200W
Electronic ballasts with dimming support	0-200W

Connection example





DW-DM04

4-CHANNEL DIMMER

This module is designed for smooth adjustment of brightness of lighting devices (non reactive load). The dimmer type is MOSFET with trailing edge dimming.

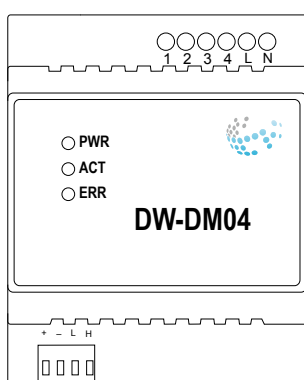


FEATURES

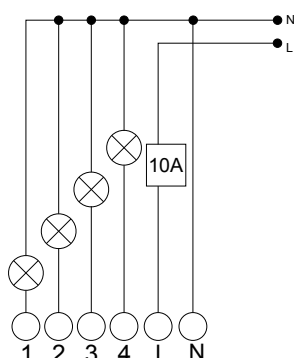
- R/C load type has 4 channels. Each channel supports up to 500 W, but the total load should not extend 1600 W
- Works with halogen /LED lights
- Advanced LED light settings
- Soft start mode
- Overload protection
- Overheating protection
- Short-circuit protection
- Plug and play (automatically detected and configured by the system)
- In-built logical unit
- Regular system updates

Module parameters

Parameter name	Value
Output channels qty	4
Input voltage	100-240V AC, 50-60 Hz
Current type	AC
Max load per device	7.27A (1600W at 220V)
Max load per channel	2.27A (500W at 220V)
Dimmer type	MOSFET
Dimming type	trailing edge
Power supply	11.5 ... 27.5 V DC from CAN
Max current(24V)	35 mA
Bus type	CAN (4-wire)
Equipment installation type	DIN rail(EN 60715)
Case material	ABS
Protection	IP40
Temperature range	-10 ... +50 °C
Size	4U, 69x102x58 mm
Weight	180 g



Connection of 4 dimmer lamps



Supported load types

	Load type	Value
	Conventional incandescent lamps	0-500W
	Halogen light sources	0-500W
	LED lamps with dimming support	0-500W
	Energy saving lamps with dimming support	0-500W
	Electronic ballasts with dimming support	0-500W

DW-DM02

2-CHANNEL DIMMER

This module is designed for smooth adjustment of brightness of lighting devices (non reactive load). The dimmer type is MOSFET with trailing edge dimming.

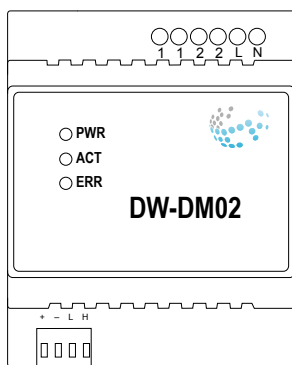


FEATURES

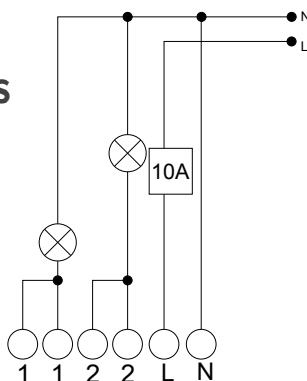
- R/C load type has 2 channels. Each channel supports up to 1000 W, but the total load should not extend 1600 W
- Works with halogen /LED lights
- Advanced LED light settings
- Soft start mode
- Overload protection
- Overheating protection
- Short-circuit protection
- Plug and play (automatically detected and configured by the system)
- In-built logical unit
- Regular system updates

Module parameters

Parameter name	Value
Output channels qty	2
Input voltage	100-240V AC, 50-60 Hz
Current type	AC
Max load per device	7.27A (1600W at 220V)
Max load per channel	4.54A (1000W at 220V)
Dimmer type	MOSFET
Dimming type	trailing edge
Power supply	11.5 ... 27.5 V DC from CAN
Max current(24V)	35 mA
Bus type	CAN (4-wire)
Equipment installation type	DIN rail(EN 60715)
Case material	ABS
Protection	IP40
Temperature range	-10 ... +50 °C
Size	4U, 69x102x58 mm
Weight	360 g



Connection of 2 dimmer lamps



Supported load types

	Load type	Value
	Conventional incandescent lamps	0-1000W
	Halogen light sources	0-1000W
	LED lamps with dimming support	0-1000W
	Energy saving lamps with dimming support	0-1000W
	Electronic ballasts with dimming support	0-1000W



DW-HC10

10-CHANNEL HEATING CONTROLLER

The device is designed for controlling heating devices (radiators, floor heating, fan coil units, etc.).

The device is equipped with 12 input channels for connection of temperature sensors.

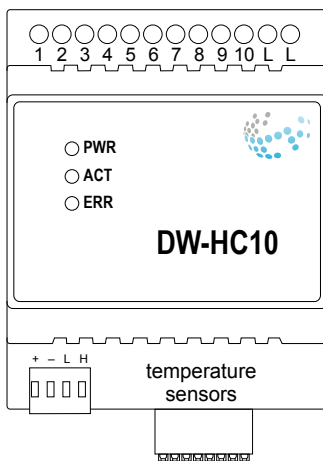


FEATURES

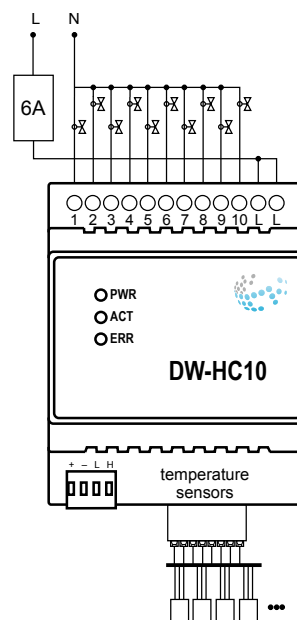
- 10 outputs for NO/NC valves or contactors
- 12 inputs for digital temperature sensors
- Can to use temperature data from other modules
- 10 independed heating zones with weekly shedule
- Up to 20 heating profiles
- Built-in real time clock

Module parameters

Parameter name	Value
Input channels qty	12
Output channels qty	10
Input voltage	20-250 V
Current type	AC/DC
Max load per channel	0.5A(110W at 220V)
Power supply	11.5 ... 27.5 V DC from CAN
Max current(24V)	110 mA
Sensors line max length	30 m
Bus type	CAN (4-wire)
Equipment installation type	DIN rail(EN 60715)
Case material	ABS
Protection	IP40
Temperature range	-10 ... +50 °C
Size	4U, 69x110x58 mm
Weight	140 g



Connection example



DW-RGB03

9-CHANNEL LED CONTROLLER

The module allows connecting RGB and monochrome LED strips.

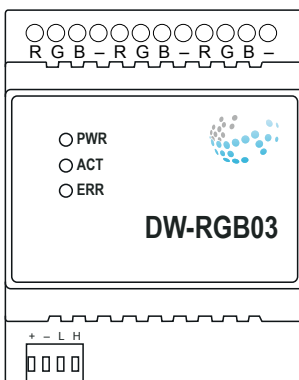


FEATURES

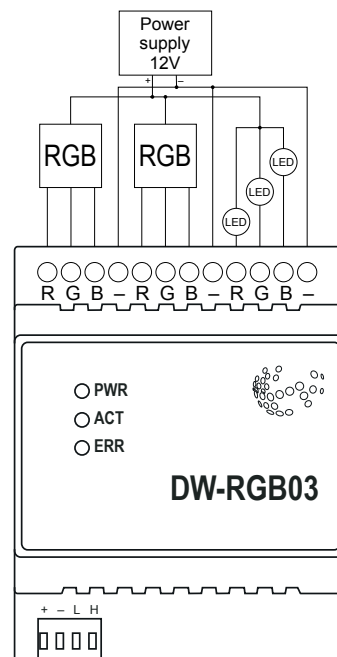
- Supported load types:
 - 3x RGB
 - 2x RGBW + 1 monochrome channels
 - 1x RGBWW + 1x RGB or 4x monochrome channels

Module parameters

Parameter name	Value
Output channels qty	9
Input voltage	0 ... 25V DC
Current type	DC
Adjustment type	PWM
Max current (per channel)	3A (36W at 12V)
Power supply	11.5 ... 27.5 V DC from CAN
Max current(24V)	55 mA
Bus type	CAN (4-wire)
Equipment installation type	DIN-rail (EN 60715)
Case material	ABS
Protection	IP40
Temperature range	-10 ... +40 °C
Size	4U, 69x110x58 mm
Weight	85 g



Connection example





DW-BC03

3-CHANNEL MODULE FOR BLINDS MOTOR CONTROL

This module provides control of curtains, projector screens, valves or other electrical motors.

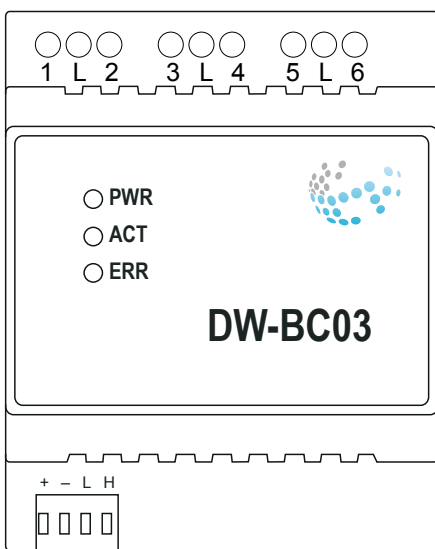


FEATURES

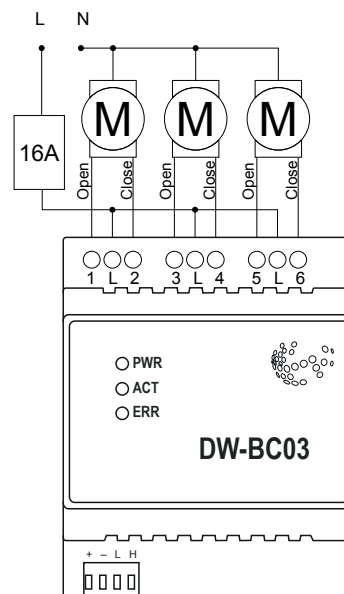
- Supported load types:
 - curtains with force/low-current control
 - 1 / 2 pole valves
- Overcurrent protection

Module parameters

Parameter name	Value
Output channels qty	3
Input voltage	0-250 V AC/DC
Current type	AC/DC
Max load per channel	5 A
Power supply	11.5 ... 27.5 V DC from CAN
Max current(24V)	55 mA
Connection type	CAN
Permissible section of power supply cable to connect in socket	0.5 ... 2.5mm ²
Bus type	CAN (4-wire)
Equipment installation type	DIN-rail (EN 60715)
Case material	ABS
Protection	IP40
Temperature range	-10 ... +50 °C
Size	4U, 69x110x58 mm
Weight	95g



Connection example



DW-WL02

WATER LEAKAGE PROTECTION MODULE

The module supports the connection of 2 valves of water supply shutoff and 4 leakage sensors.

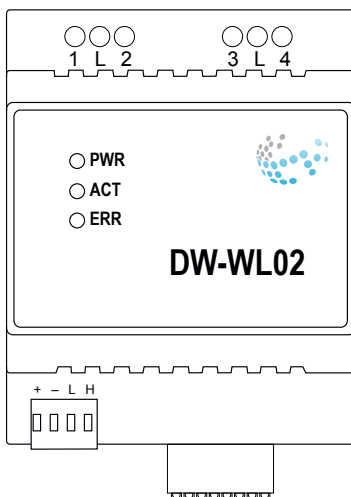


FEATURES

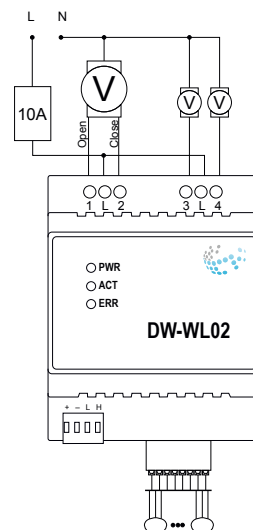
- Supports 1p/2p valves
- Valve feedback reed switch
- 4 leakage zones (up to 8 sensors)
- Sensor detection and diagnostics

Module parameters

Parameter name	Value
Output channels qty	4
Number of sensor inputs	4
Number of dry contact inputs	2
Input voltage	0-250 V AC/DC
Current type	AC/DC
Max load per channel	5 A
Power supply	11.5 ... 27.5 V DC from CAN
Max current(24V)	60 mA
Sensors VCC output	8..12 V
Sensors max VCC current	70 mA
R1-R4 inputs max current	3 mA
Sensor line max length	30m
Bus type	CAN (4-wire)
Equipment installation type	DIN-rail (EN 60715)
Case material	ABS
Protection	IP40
Temperature range	-10 ... +50 °C
Size	4U, 69x110x58 mm
Weight	100 g



Connection of valves and sensors

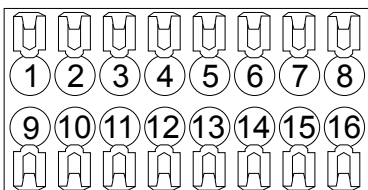
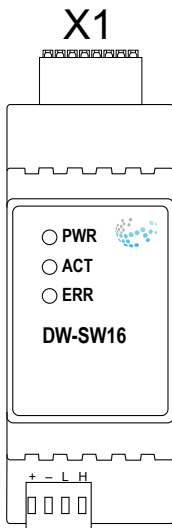




DW-SW16

16-CHANNEL ADAPTER FOR BUTTONS

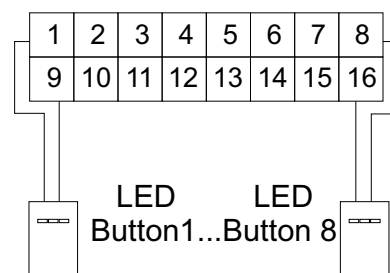
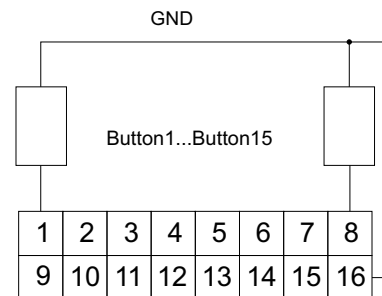
This module can support up to 15 buttons/reed switches or 8 LED buttons.



Module parameters

Parameter name	Value
Input channels qty	16
Buttons	15
LED Buttons	8
Backlight voltage	3V
Power supply	11.5 ... 27.5 V DC from CAN
Max current(24V)	45mA
Bus type	CAN (4-wire)
Equipment installation type	DIN-rail (EN 60715)
Case material	ABS
Protection	IP40
Temperature range	-10 ... +50 °C
Size	2U, 36x102x58 mm
Weight	75g

Connection of buttons/LED buttons



DW-RS485

RS485 INTERFACE ADAPTER

This module is designed for interface adjustment between the devices which have the RS485 interface and the Smart Home system. This module has an internal 120Ω terminator resistor.



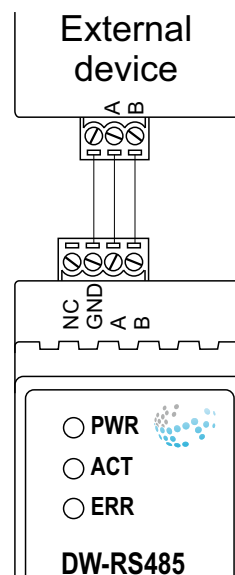
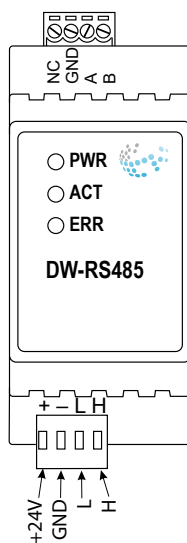
FEATURES

- Supported protocols:
 - ModBus RTU
 - DMX512
 - Custom protocols
- 1200 - 115200 baud rate

Module parameters

Parameter name	Value
RS485 ports qty	1
Power supply	11.5 ... 27.5 V DC from CAN
Max current(24V)	40mA
Data transfer speed	1200-115200 b/s
Bus type	CAN (4-wire)
Equipment installation type	DIN rail(EN 60715)
Case material	ABS
Protection	IP40
Temperature range	-10 ... +50 °C
Size	2U, 36x90x58 mm
Weight	130 g

Connection example





DW-RS232

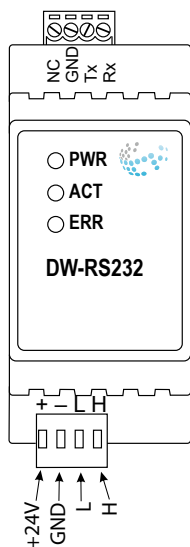
RS232 INTERFACE ADAPTER

This module is designed for interface adjustment between the devices which have the RS232 interface and the Smart Home system.

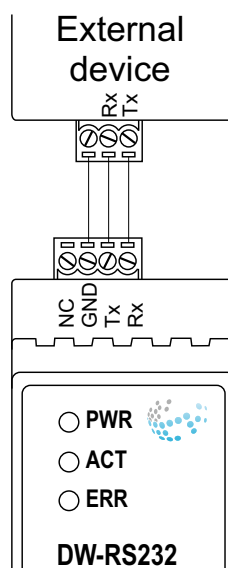


Module parameters

Parameter name	Value
RS232 ports qty	1
Power supply	11.5 ... 27.5 V DC from CAN
Max current(24V)	40mA
Data transfer speed	1200-115200 b/s
Bus type	CAN (4-wire)
Equipment installation type	DIN rail(EN 60715)
Case material	ABS
Protection	IP40
Temperature range	-10 ... +50 °C
Size	2U, 36x90x58 mm
Weight	130 g

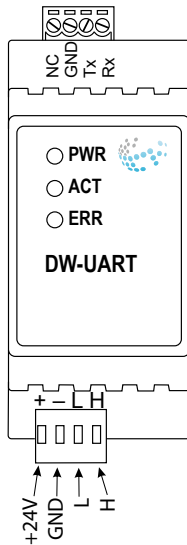


Connection example



DW-UART SERIAL INTERFACE ADAPTER

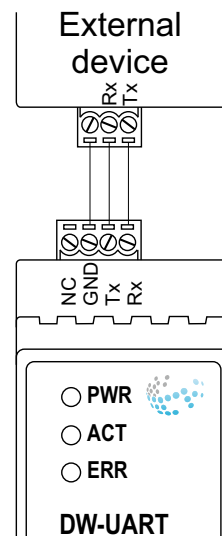
This module is designed for interface adjustment between the devices which have the UART interface (TTL levels) and the Smart Home system.



Module parameters

Parameter name	Value
UART ports qty	1
Power supply	11.5 ... 27.5 V DC from CAN
Max current(24V)	40mA
Data transfer speed	1200-115200 b/s
Bus type	CAN (4-wire)
Equipment installation type	DIN rail(EN 60715)
Case material	ABS
Protection	IP40
Temperature range	-10 ... +50 °C
Size	2U, 36x90x58 mm
Weight	130 g

Connection example

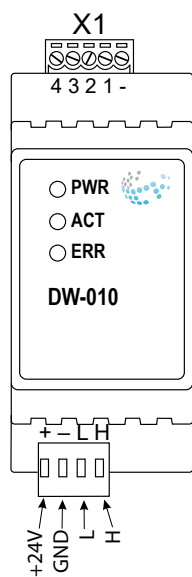




DW-010

4-CHANNEL MODULE FOR DEVICES WITH 0-10V INPUT

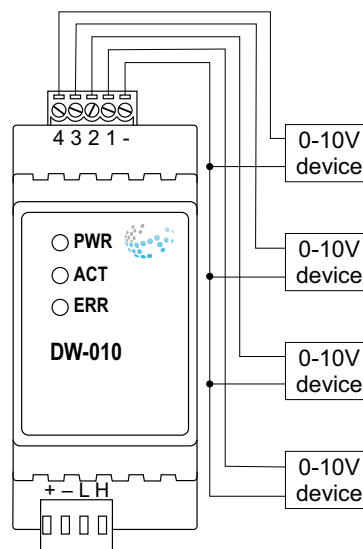
This module allows connecting devices with 0-10V input interface to the Smart Home system.



Module parameters

Parameter name	Value
Output channels quantity	4
Max load per channel	15mA
Power supply	11.5 ... 27.5 V DC from CAN
Max current(24V)	50mA
Bus type	CAN (4-wire)
Equipment installation type	DIN rail(EN 60715)
Case material	ABS
Protection	IP40
Temperature range	-10 ... +50 °C
Size	2U, 36x90x58 mm
Weight	130 g

Connection example



DW-DALI2

2-CHANNEL DALI INTERFACE ADAPTER

This is the module needed to connect the lamp drivers that are controlled with the help of DALI protocol.



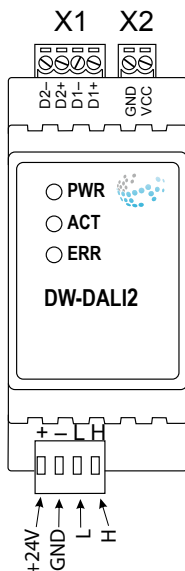
FEATURES

- Automatic line scanning for new devices
- Built-in bus power injection
- Dali device configuration

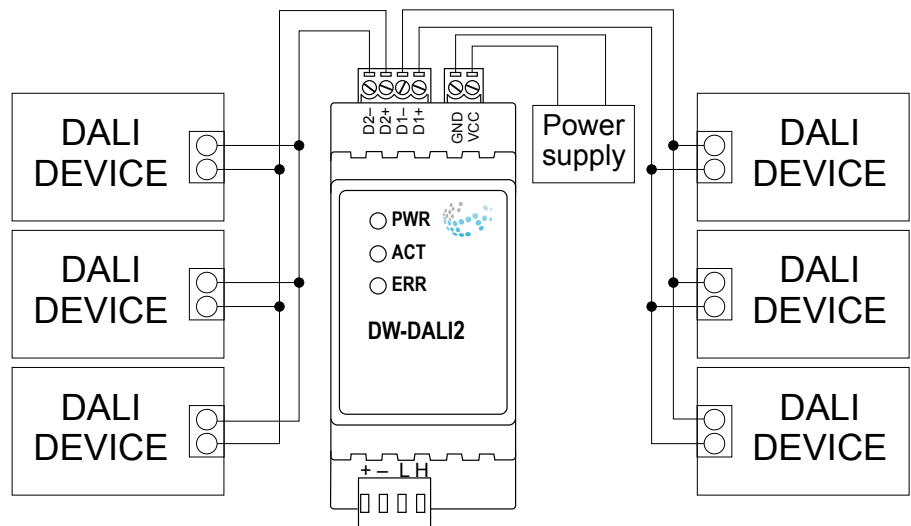
Module parameters

Parameter name	Value
DALI ports qty	2
DALI-line voltage supply	10.5 – 22.5 V DC
Peak current of DALI-line power supply	1A
Peak current in DALI-line	300 mA
Power supply	11.5 ... 27.5 V DC from CAN
Max current(24V)	30 mA
BUS type	CAN (4-wire)
Equipment installation type	DIN-rail (EN 60715)
Case material	ABS
Protection	IP40
Temperature range	-10 ... +50 °C
Size	2U, 35x90x58 mm
Weight	75 g

¹ subject to compliance with other parameters



Connection example





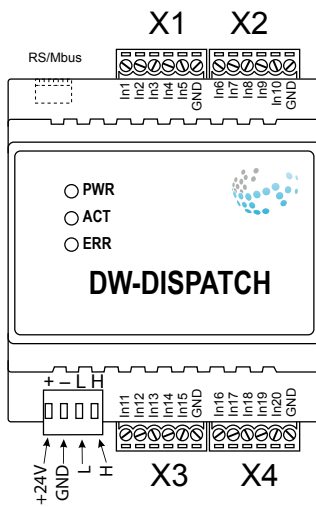
DW-DISPATCH AMR (AUTOMATIC METER READING) MODULE

This module is for the dispatch system only. It is not used in the main Larnitech Smart Home system.

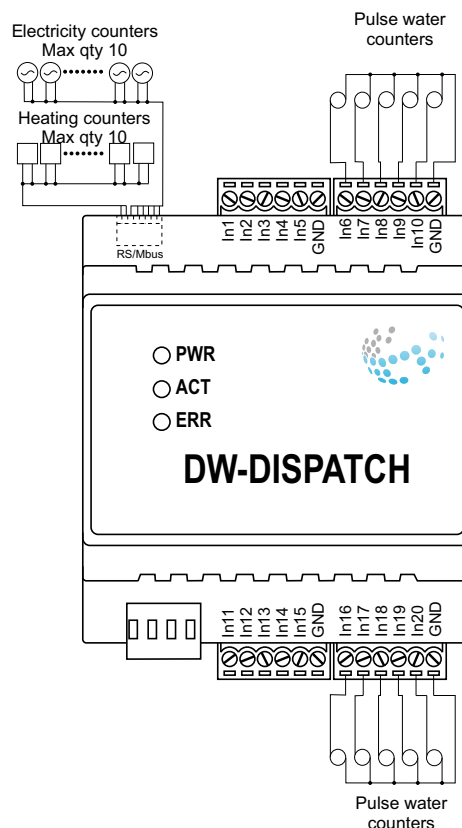


Module parameters

Parameter name	Value
M-BUS port quantity	1
RS485 port quantity	1
Pulse inputs quantity	20
Power supply	11.5 ... 27.5 V DC from CAN
Max current(24V)	300 mA
Bus type	CAN (4-wire)
Equipment installation type	DIN rail(EN 60715)
Case material	ABS
Protection	IP40
Temperature range	-10 ... +50 °C
Size	4U, 69x104x58 mm
Weight	130 g



Connection example





go to wiki.larnitech.com

[go to contents](#)

PATTRESS BOX EQUIPMENT



BW-LC02

2-CHANNEL ACTUATOR

This module is designed for AC/DC circuits commutation. Applicable for lighting and other electrical devices. Has 6 input channels for connecting buttons and reed switches.



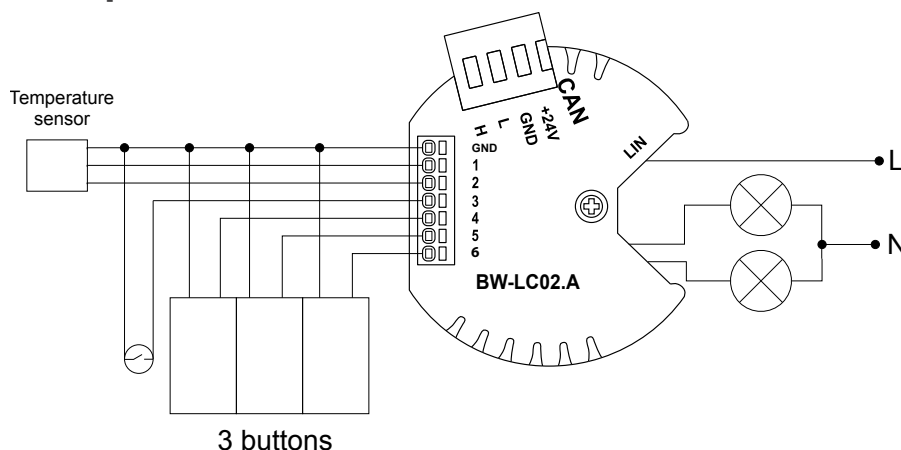
FEATURES

- Compact size (only 16mm thickness)
- 6 inputs support:
 - Buttons
 - Switches
 - reed switches
 - LED buttons
 - Digital temperature sensor
- Outputs support:
 - Lights
 - NC/NO heating valves
 - NC/NO locks

Module parameters

Parameter name	Value
Output channels qty	2
Input channels qty	6
Buttons	6
LED Buttons	5
Input voltage	100-250 V
Current type	AC
Max load per channel	2 A (440W at 220V)
Backlight voltage	3V
Power supply	11.5 ... 27.5 V DC from CAN
Max current(24V)	35 mA
Permissible section of power supply cable to connect in socket:	
single-conductor cable	0.5 ... 2.5 mm ²
multiple-conductor cable	0.5 ... 2.5 mm ²
tipped multiple-conductor cable	0.5 ... 2.5 mm ²
Temperature sensor line max length	0.3 m
Bus type	CAN (4-wire)
Mounting	Free
Case material	ABS
Protection	IP40
Temperature range	-10 ... +50 °C
Size	45x42x14 mm
Weight	25 g

Connection example



BW-DM DIMMER

This single-channel dimmer is designed for smooth control of electrical load (non reactive load). It has 3 input channels for connecting buttons and reed switches. MOSFET type.



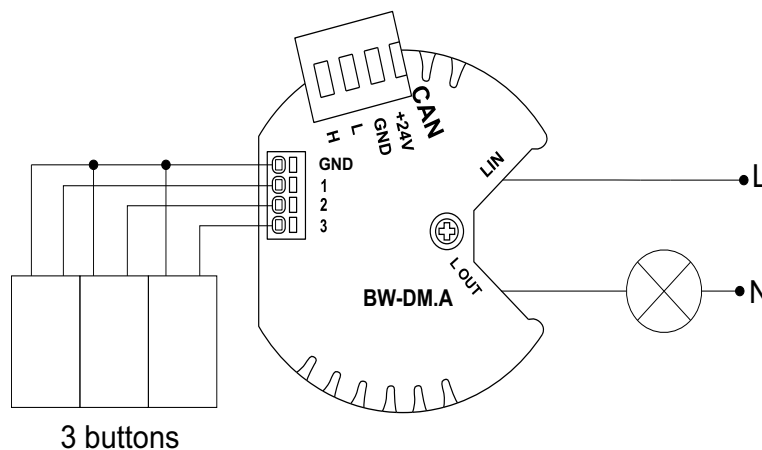
Supported load types

Load type		Value
	Conventional incandescent lamps	20-200W
	Halogen light sources	20-200W
	LED lamps with dimming support	20-200W
	Energy saving lamps with dimming support	20-200W
	Electronic ballasts with dimming support	20-200W

Module parameters

Parameter name	Value
Output channels qty	1
Input channels qty	3
Input voltage	100-250 V 50Hz
Current type	AC
Max load	0.9A (200W at 220V)
Min load	0.09A (20W at 220V)
Power supply	11.5 ... 27.5 V DC from CAN
Max current(24V)	40 mA
Bus type	CAN (4-wire)
Mounting	Free
Case material	ABS
Protection	IP40
Temperature range	-10 ... +50 °C
Size	45x42x14 mm
Weight	25 g

Connection example





BW-BC-PW

BLINDS CONTROL MODULE (power)

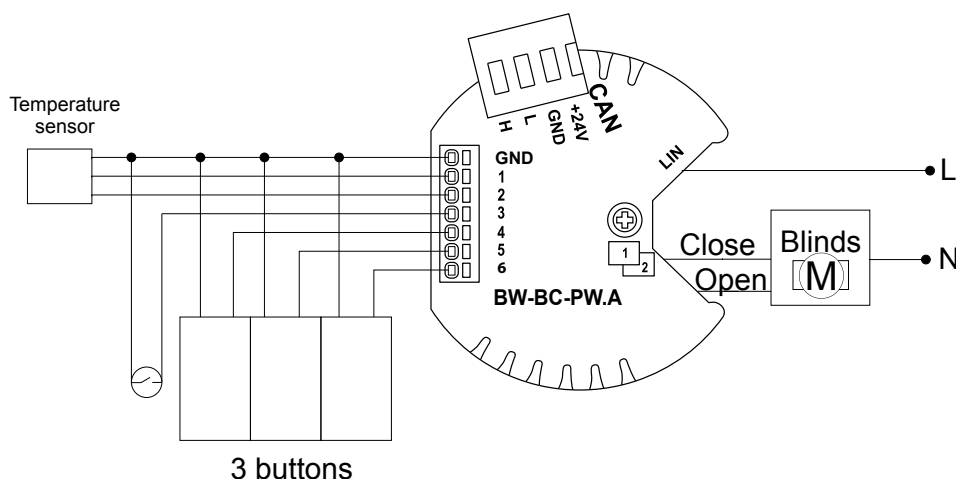
This module provides control of curtains, projector screens, valves, or other electrical motors with force control. It has 6 inputs for connecting buttons/reed switches.



Module parameters

Parameter name	Value
Output channels qty	2
Input channels qty	6
Buttons	6
LED Buttons	5
Input voltage	100-250 V AC
Current type	AC
Max load per channel	1 A (220W at 220V) - continuous load 2 A (440W at 220V) - 2 min max
Backlight voltage	3V
Power supply	11.5 ... 27.5 V DC from CAN
Max current(24V)	30 mA
Temperature sensor line max length	0.3 m
Bus type	CAN (4-wire)
Mounting	Free
Case material	ABS
Protection	IP40
Temperature range	-10 ... +50 °C
Size	45x42x14 mm
Weight	25 g

Connection example



BW-BC-LC

BLINDS CONTROL MODULE (low-current)

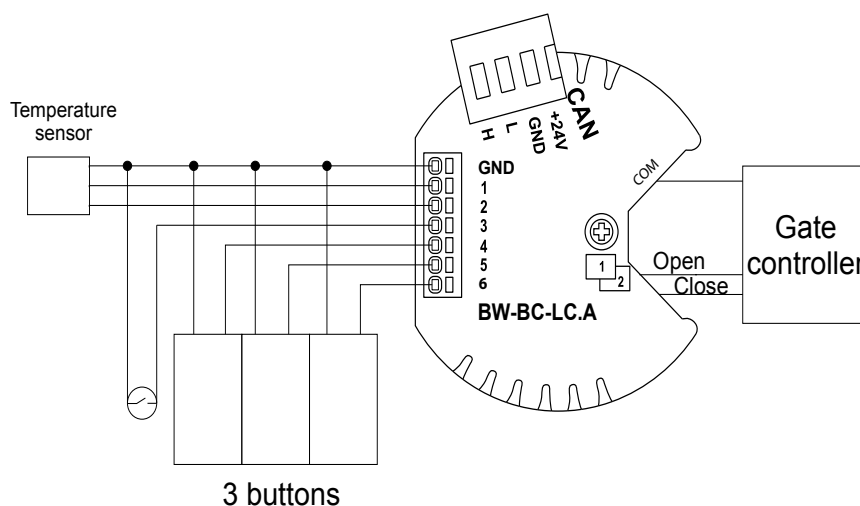
This module provides control of curtains, projector screens, valves with low-current control. It has 6 inputs for connecting buttons/reed switches.



Module parameters

Parameter name	Value
Output channels qty	2
Input channels qty	6
Buttons LED Buttons	6 5
Input voltage	0-50V
Current type	AC/DC
Max load per channel	1 A
Backlight voltage	3V
Power supply	11.5 ... 27.5 V DC from CAN
Max current(24V)	30 mA
Temperature sensor line max length	0.3 m
Bus type	CAN (4-wire)
Mounting	Free
Case material	ABS
Protection	IP40
Temperature range	-10 ... +50 °C
Size	45x42x14 mm
Weight	25 g

Connection example





BW-RGB 3-CHANNEL LED CONTROLLER

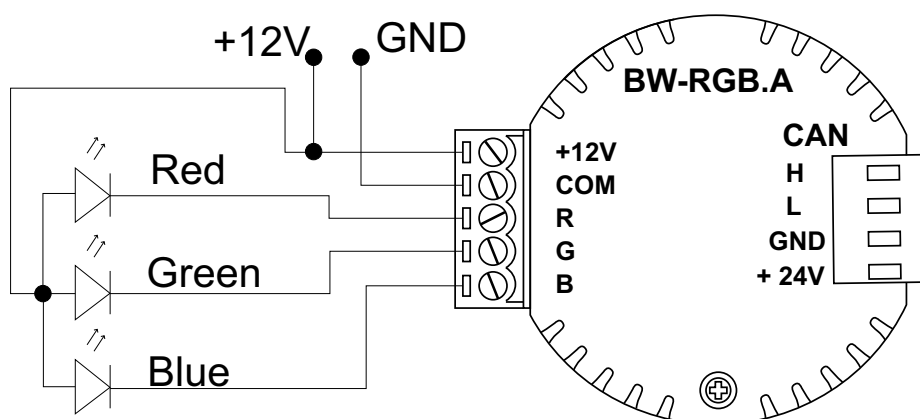
This module allows controlling RGB strip or three monochrome LED strips.



Module parameters

Parameter name	Value
Output channels qty	3
Input voltage	11.5 ... 25V
Current type	DC
Adjustment type	PWM
Max load per channel	1 A (12W at 12V)
Max load power per device	3A (36W at 12V)
Power supply	11.5 ... 27.5 V DC from CAN
Max current(24V)	25 mA
Bus type	CAN (4-wire)
Mounting	Free
Case material	ABS
Protection	IP40
Temperature range	-10 ... +50 °C
Size	45x42x14 mm
Weight	25 g

Connection example



BW-SW06

6-CHANNEL INPUT MODULE

This module is used to connect buttons/reed switches.



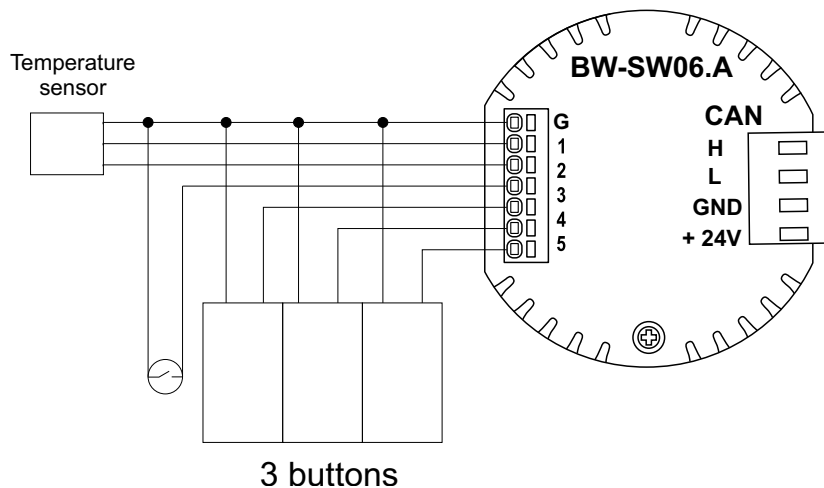
FEATURES

- 6 inputs support:
 - Buttons
 - Switches
 - Reed switches
 - LED buttons
 - Digital temperature sensor

Module parameters

Parameter name	Value
Input channels qty	6
Buttons	6
LED Buttons	5
Backlight voltage	3V
Max current(24V)	30 mA
Power supply	11.5 ... 27.5 V DC from CAN
Temperature sensor line max length	0.3 m
Bus type	CAN (4-wire)
Mounting	Free
Case material	ABS
Protection	IP40
Temperature range	-10 ... +50 °C
Size	45x42x14 mm
Weight	25 g

Connection example





BW-LSA LEAKAGE SENSOR ADAPTER

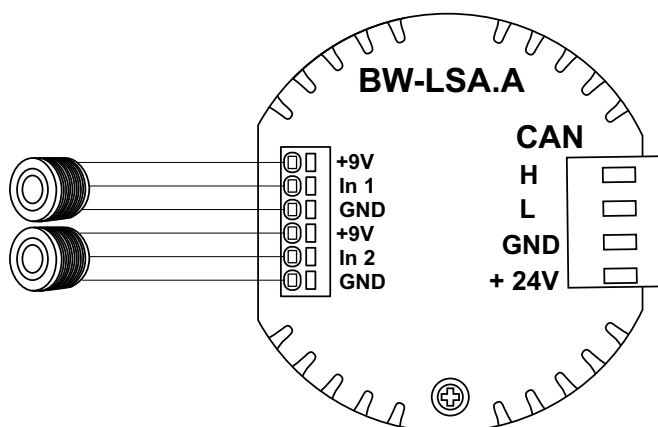
This module allows connecting two leakage sensors and has the function of detecting the presence of the sensor.



Module parameters

Parameter name	Value
Input channels qty	2
Power supply	11.5 ... 27.5 V DC from CAN
Max current(24V)	65 mA
Bus type	CAN (4-wire)
Compatible with	EW-WL FW-WL
Output voltage	12V
Output current	20 mA
Mounting	Free
Case material	ABS
Protection	IP40
Temperature range	-10 ... +50 °C
Size	45x42x14 mm
Weight	15 g

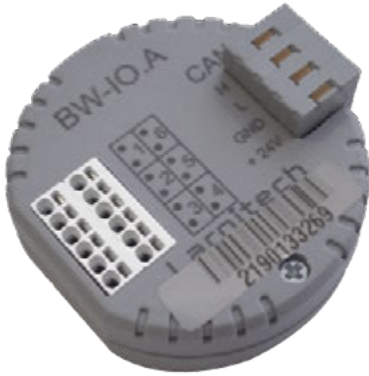
Connection example



BW-IO

6-CHANNEL I/O MODULE

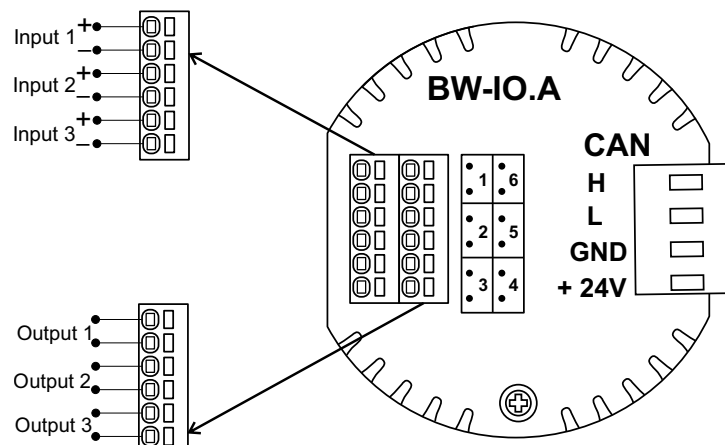
The module is designed for connection of other digital devices which do not have standard interfaces.



Module parameters

Parameter name	Value
Input channels qty	3
Output channels qty	3
Voltage that may be applied to the input channels	0...15 V DC
Min detected voltage threshold	2.5V
Max output switching voltage	60V AC/DC
Max output switching current	50mA
Power supply	11.5 ... 27.5 V DC from CAN
Max current(24V)	25 mA
Bus type	CAN (4-wire)
Mounting	Free
Case material	ABS
Protection	IP40
Temperature range	-10 ... +50 °C
Size	45x42x14 mm
Weight	15 g

Connection example





BW-NA

NEST ADAPTER

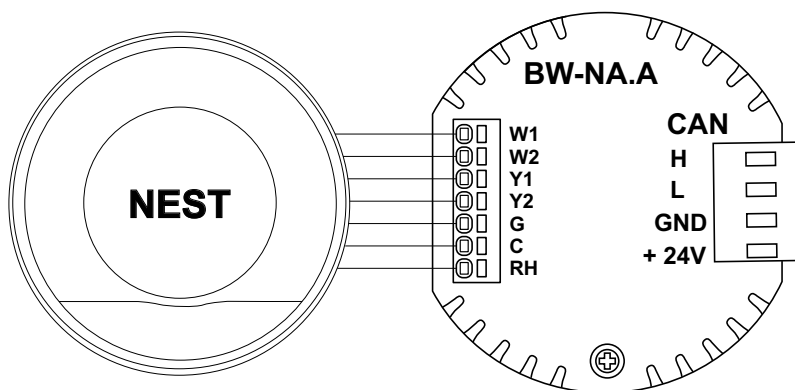
This module is an adapter for connecting NEST thermostat (US version only) to the Smart Home system.



Module parameters

Parameter name	Value
Input channels qty	5
Power supply	23 ... 25 V DC from CAN
Max current(24V)	70 mA
Bus type	CAN (4-wire)
Mounting	Free
Case material	ABS
Protection	IP40
Temperature range	-10 ... +50 °C
Size	45x42x14 mm
Weight	15 g

Connection example



BW-RS485

RS485 INTERFACE ADAPTER

This module is designed for interface adjustment between the devices which have the RS485 interface and the Smart Home system. The module has an internal 120Ω terminator resistor.



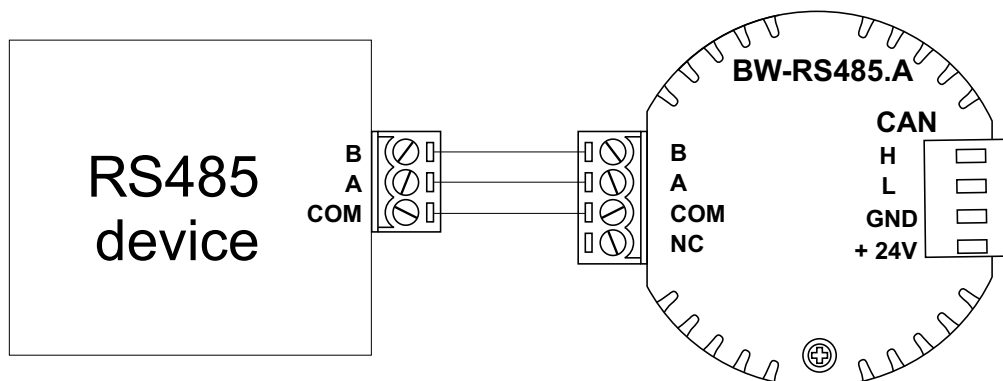
Module parameters

Parameter name	Value
RS485 port quantity	1
Power supply	11.5 ... 27.5 V DC from CAN
Max current(24V)	25 mA
Bus type	CAN (4-wire)
Mounting	Free
Case material	ABS
Protection	IP40
Temperature range	-10 ... +50 °C
Size	45x42x14 mm
Weight	15 g

FEATURES

- Supported protocols:
 - ModBus RTU
 - DMX512
 - Custom protocols
- 1200 - 115200 baud rate

Connection example





BW-RS232

RS232 INTERFACE ADAPTER

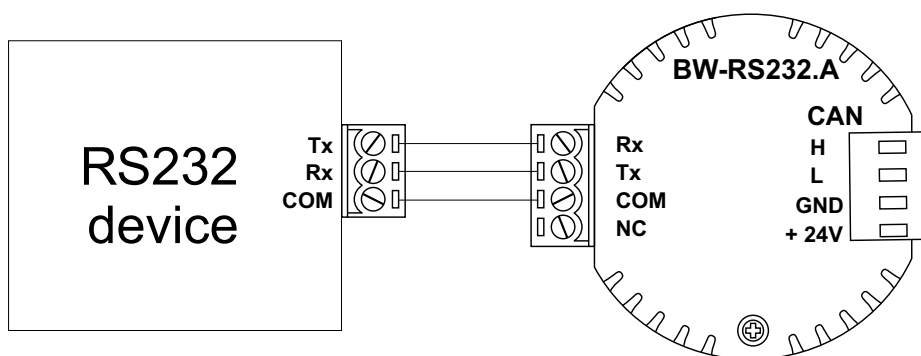
This module is designed for interface adjustment between the devices which have the RS232 interface and the Smart Home system.



Module parameters

Parameter name	Value
RS232 port quantity	1
Power supply	11.5 ... 27.5 V DC from CAN
Max current(24V)	25 mA
Bus type	CAN (4-wire)
Mounting	Free
Case material	ABS
Protection	IP40
Temperature range	-10 ... +50 °C
Size	45x42x14 mm
Weight	15 g

Connection example



BW-UART SERIAL PORT ADAPTER

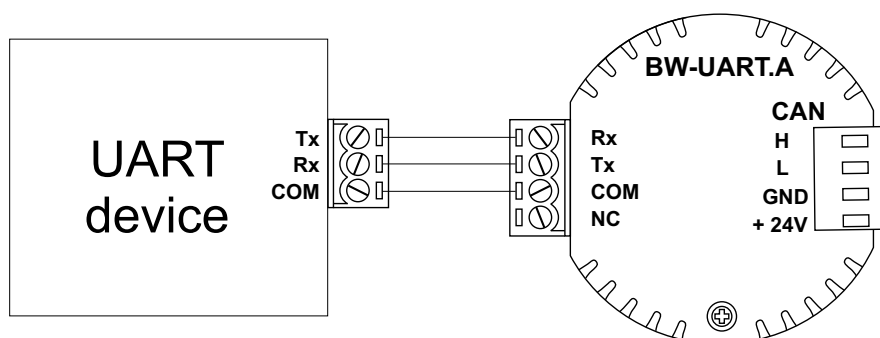
This module is designed for interface adjustment between the devices which have the UART interface (TTL levels) and the Smart Home system.



Module parameters

Parameter name	Value
UART port quantity	1
Power supply	11.5 ... 27.5 V DC from CAN
Max current(24V)	25 mA
Bus type	CAN (4-wire)
Mounting	Free
Case material	ABS
Protection	IP40
Temperature range	-10 ... +50 °C
Size	45x42x14 mm
Weight	15 g

Connection example





BW-010

4-CHANNEL MODULE FOR DEVICES WITH 0-10V INPUT

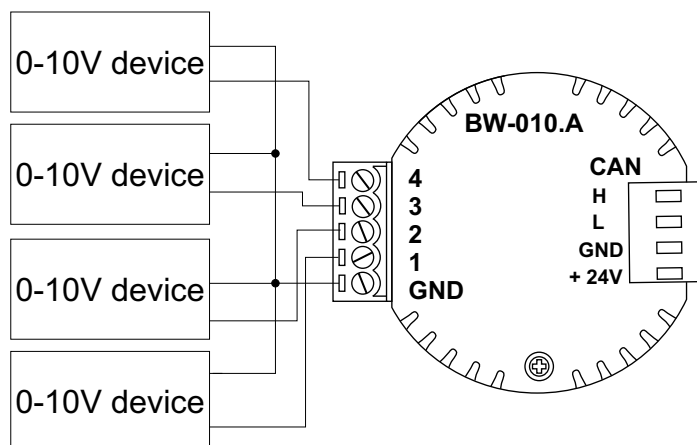
This module allows connecting devices with 0-10V input interface to the Smart Home system.



Module parameters

Parameter name	Value
Outputs channels quantity	4
Max load per channel	15mA
Power supply	11.5 ... 27.5 V DC from CAN
Max current(24V)	55 mA
Bus type	CAN (4-wire)
Mounting	Free
Case material	ABS
Protection	IP40
Temperature range	-10 ... +50 °C
Size	45x42x14 mm
Weight	15 g

Connection example





go to wiki.larnitech.com

[go to contents](#)

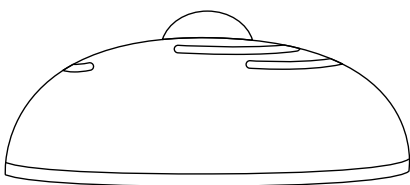
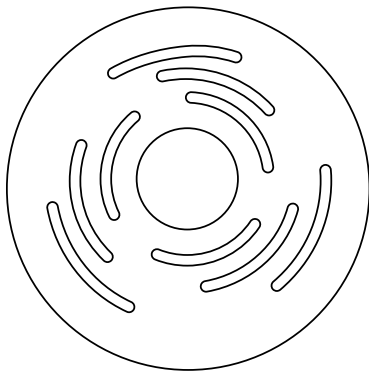
SENSORS



CW-HTMLI-II / CW-CO2

6 IN 1 SENSOR

This module contains motion, lighting, humidity, temperature, CO2 sensors and an IR transmitter.



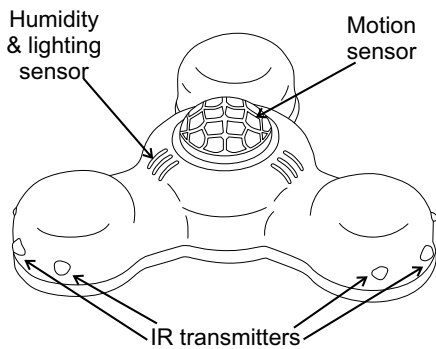
Module parameters

Parameter name	Value
Control parameters	Humidity, lighting, movement, temperature, CO2 (CW-CO2 only)
Angle of vision IR	360°
Power supply	11.5 ... 27.5 V DC from CAN
Max current(24V)	50 mA
Bus type	CAN (4-wire)
Mounting	Wall, ceiling
Case material	ABS
Protection	IP40
Temperature range	-10 ... +50 °C
Size	85x85x35 mm
Weight	70 g

CW-HTMLI

4 IN 1 SENSOR

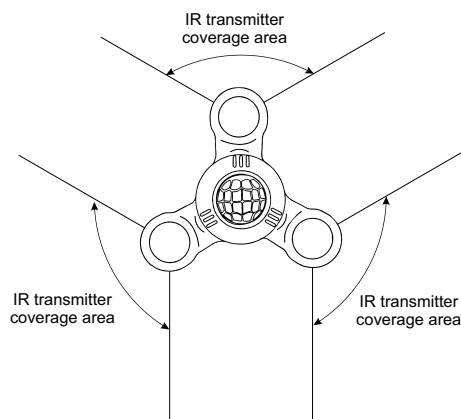
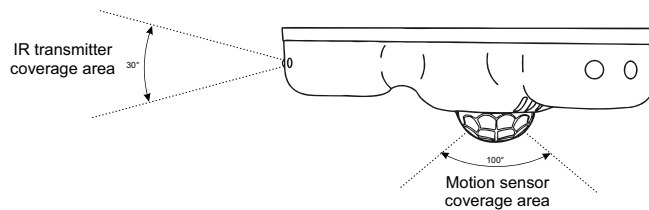
This module contains motion, lighting, humidity sensors and an IR transmitter.



Module parameters

Parameter name	Value
Control parameters	Humidity, lighting, motion
Angle of vision IR	360°
Power supply	11.5 ... 27.5 V DC from CAN
Max current(24V)	100 mA
Bus type	CAN (4-wire)
Mounting	Wall, ceiling
Case material	ABS
Protection	IP40
Temperature range	-10 ... +50 °C
Size	80x70x25 mm
Weight	30 g

Connection example





CW-MLI.A / CW-M.A

MICRO-SIZED 3 IN 1 SENSOR

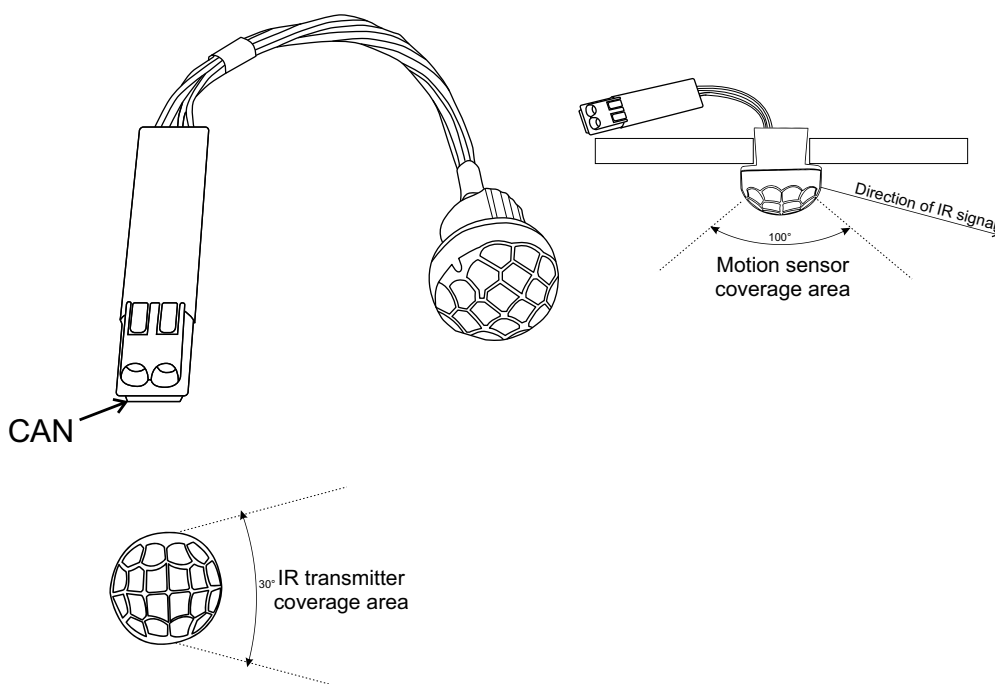
This module contains motion, lighting (CW-MLI only) sensors and an IR transmitter (CW-MLI only).



Module parameters

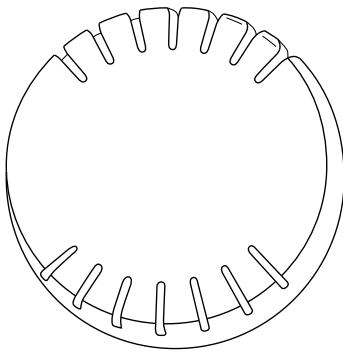
Parameter name	Value
Control parameters	Motion, lighting(optional)
Angle of vision IR	30°
Power supply	11.5 ... 27.5 V DC from CAN
Max current(24V)	50 mA
Max detection distance	10m
Bus type	CAN (4-wire)
Mounting	Cell.
Protection	IP40
Temperature range	-10 ... +50 °C
Size	17x17x60 mm
Weight	15 g

Connection example



WW-HTL 3 IN 1 SENSOR

This module contains temperature, lighting, and humidity sensors.



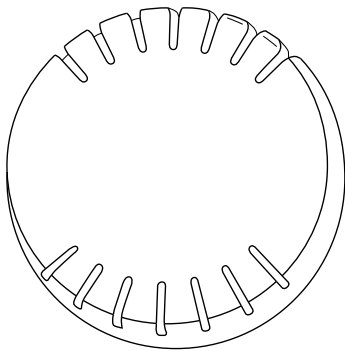
Module parameters

Parameter name	Value
Control parameters	Temperature, humidity, lighting
Temperature measuring range	-10 ... +50°C
Humidity measuring range	0 ... 100%
Power supply	11.5 ... 27.5 V DC from CAN
Max current(24V)	25 mA
Bus type	CAN (4-wire)
Mounting	Wall, ceiling
Case material	ABS
Protection	IP40
Size	40x40x12
Weight	50 g



WW-TS TEMPERATURE SENSOR

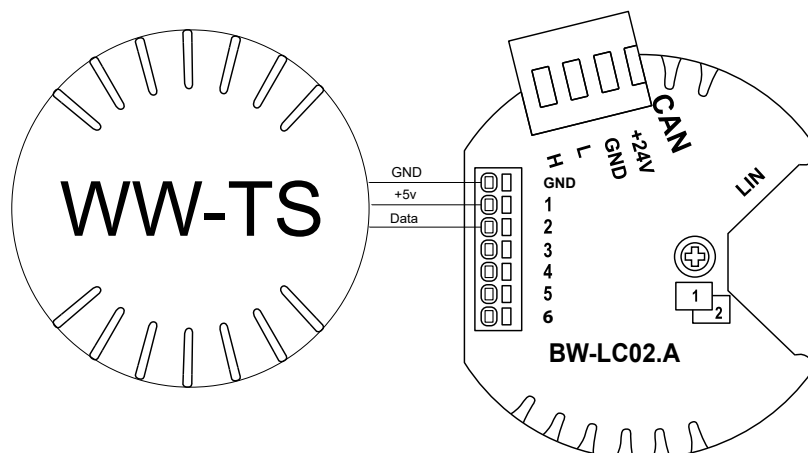
It is a temperature sensor for DW-HCxx module.



Module parameters

Parameter name	Value
Control parameters	Temperature
Temperature measuring range	-20 ... +60°C
Power supply	5 V DC
Max current	5 mA
Bus type	One Wire
Compatible with	DW-HCxx BW-LC/BCxx/SW DW-HTO7 Metafora MF-10
Mounting	Wall
Case material	ABS
Protection	IP40
Size	40x40x12 mm
Weight	35 g

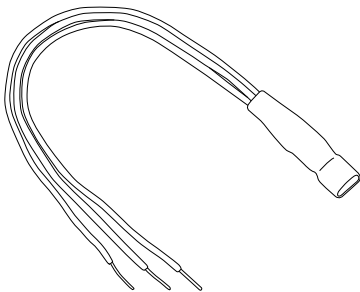
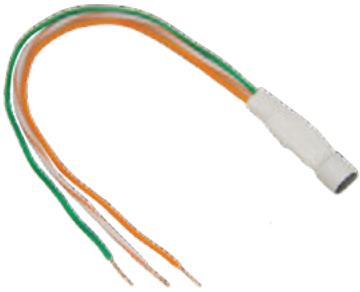
Connection example



FW-TS

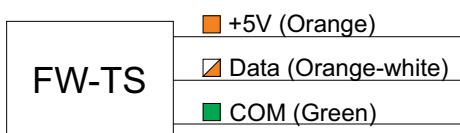
TEMPERATURE SENSOR

This is an open-frame temperature sensor for DW-HCxx module.

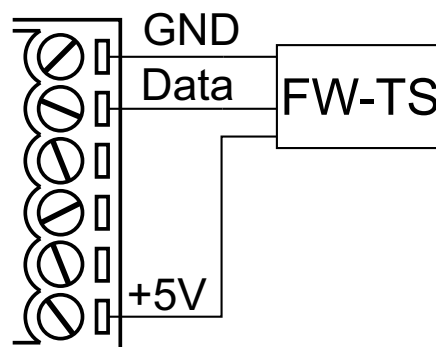


Module parameters

Parameter name	Value
Control parameters	Temperature
Temperature measuring range	-20 ... +60°C
Power supply	5 V DC
Max current	5 mA
Bus type	One Wire
Compatible with	DW-HCxx BW-LC/BCxx/SW DW-HT07 Metafora MF-10
Mounting	Free
Protection	IP40
Size	5x4x8 mm
Weight	15 g



Connection example





FW-FT

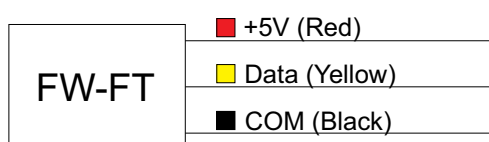
UNDERFLOOR HEATING TEMPERATURE SENSOR

This is an underfloor heating temperature sensor for DW-HCxx, it can also be used to measure the outdoor temperature.

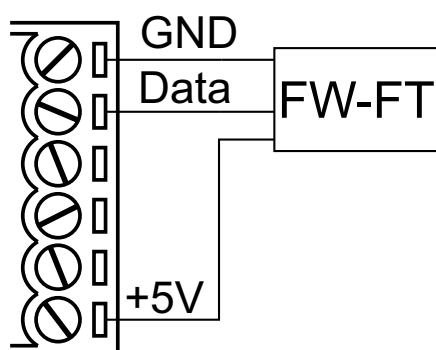


Module parameters

Parameter name	Value
Control parameters	Temperature
Temperature measuring range	-20 ... +60°C
Power supply	5 V DC
Max current	5 mA
Bus type	One Wire
Compatible with	DW-HCxx BW-LC/BCxx/SW DW-HT07 Metafora MF-10
Mounting	Built into the floor/outdoor
Protection	IP65
Cable length	3 m
Size	8x8x50 mm
Weight	35 g



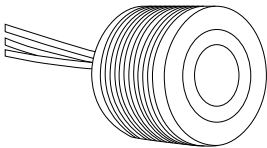
Connection example



EW-WL

BUILT-IN FLOOR LEAKAGE SENSOR

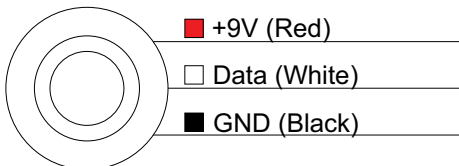
This is a water leakage sensor with an alarm light. It is mountable in the floor surface. Used together with DW-WL or BW-LSA modules.



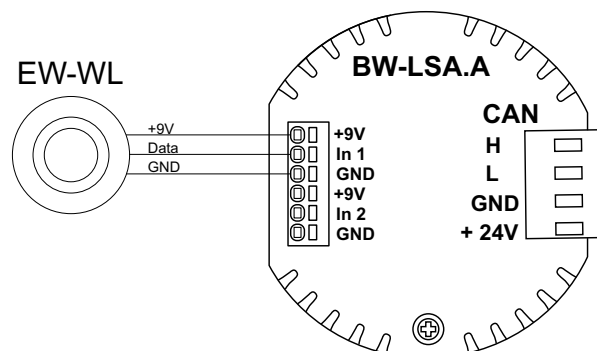
Module parameters

Parameter name	Value
Power supply	9...12 V DC
Max current	20 mA
Compatible with	Metafora MF-10 DW-WL02/HTxx BW-LSA
Mounting	Built into the floor
Case material	stainless steel
Protection	IP65
Temperature range	-10 ... +50 °C
Size	18x18x20 mm
Weight	20 g

EW-WL



Connection example

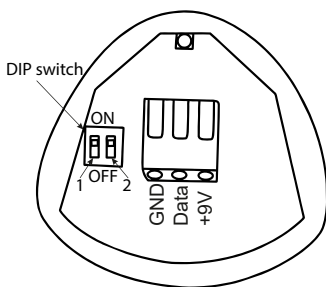
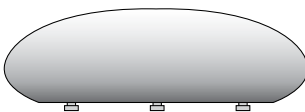
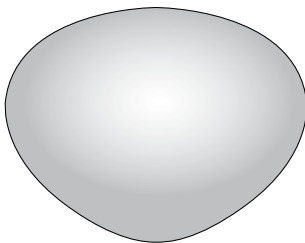




FW-WL

ON-THE-FLOOR LEAKAGE SENSOR

The sensor is placed on the floor surface. It has an alarm light, which changes from green to red if the sensor detects water on the floor. Used together with DW-WL or BW-LSA modules.



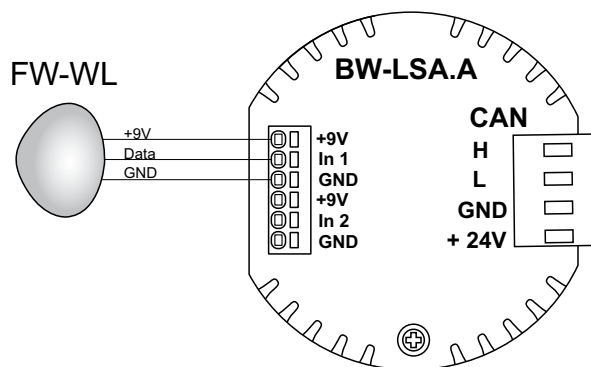
Module parameters

Parameter name	Value
Power supply	9...12 V DC
Max current	20 mA
Compatible with	Metafora MF-10 DW-WL02/HTxx BW-LSA
Mounting	Free
Case material	ABS
Protection	IP64
Temperature range	-10 ... +50 °C
Size	57x47x22 mm
Weight	35 g

Module settings

N°	Description
1	ON – Ultra-sensitive mode OFF – Regular mode
2	ON – Blue LED color OFF – Green LED color

Connection example





go to wiki.larnitech.com

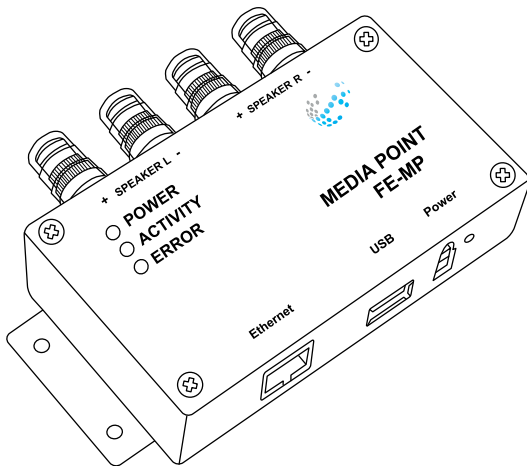
[go to contents](#)

MULTIROOM



FE-MP MEDIA POINT

Multiroom system media point with a built-in amplifier. Used to play music, the Internet radio, system notifications. Supports DLNA protocol. Can be used either within the Smart Home system or separately.

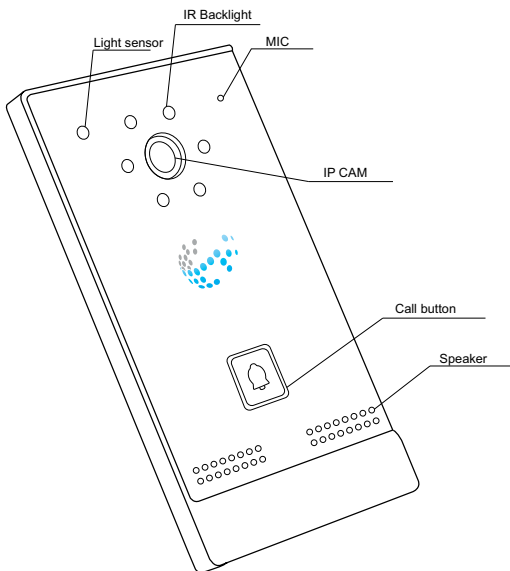


Module parameters

Parameter name	Value
Analog outout channels qty	2
Speakers	4-8 ohm
Max power output audio channel	2x20W
Connection type	Ethernet
Transfer data speed	10/100 MB/s
Power supply	23...26V DC
Max current(24V)	3.3 A, 24V 4.2 A Recommended
Case material	Aluminium
Protection	IP40
Mounting type	Free
Temperature range	-10...+50 °C
Dimensions	140x64x30 mm
Weight	500 g

FE-IC VIDEO INTERCOM

Video intercom calling panel. It has a built-in 1MP camera with IR illumination and a relay for connecting the electric lock. It also has a built-in 2Gb memory for taking photos or recording videos. Supports SIP and DLNA protocols.



Module parameters

Parameter name	Value
Camera	Full HD (1920×1080)
RFID	125 kHz
IR lighting	1 m
Connection type	Ethernet
Protocols	SIP, DLNA
Power supply	11.5 ... 27.5 V DC, Passive POE 24V
Max current(24V)	150 mA
Case material	Aluminium alloy panel, Waterproof
Protection	IP65
Mounting type	Wall surface mount
Temperature range	-20...+50 °C
Dimensions	153x85x45 mm
Weight	620 g



LCP8

WALL-MOUNTED CONTROL PANEL

Wall-mounted control panel based on Amazon Fire HD 8 tablet.

Module parameters



Parameter name	Value
Power supply	220V AC
Material	Plastic
Mounting	Wall
Size	232x166x10 mm
Weight	600 g

