

© -

REVISIONS

P	LTR	DESCRIPTION	DATE	DWN	APVD
	A	NEW DRAWING	16JUL2020	GK	IR

DIMENSIONS BEFORE APPLICATION

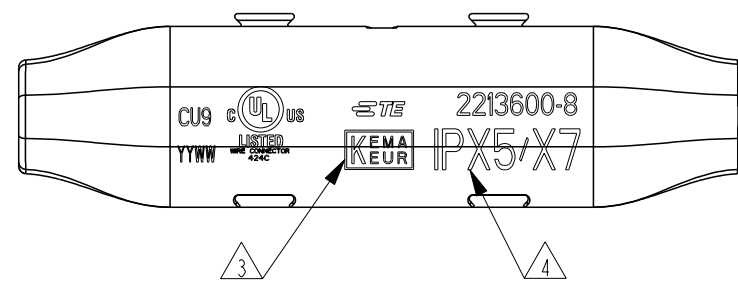
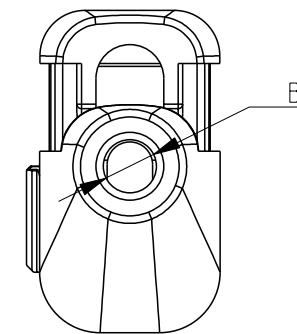
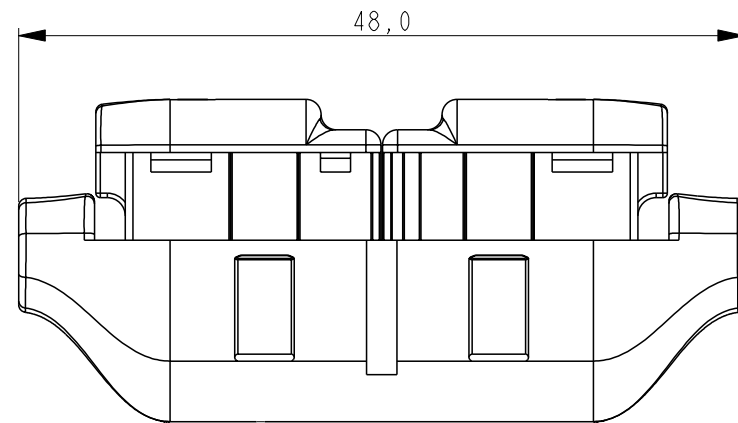
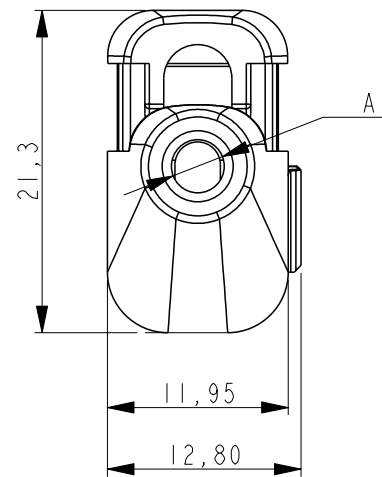
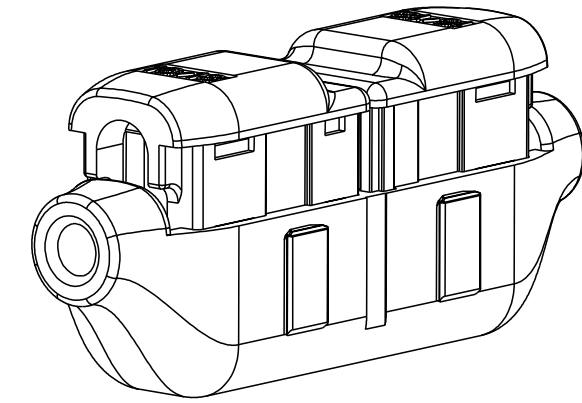
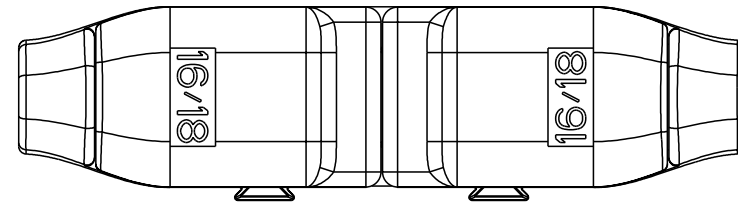
NOTES:

- 1. ISET212005R0000 AS SHOWN.
- 2. MATERIALS:

CONTACT: PHOSPHOR BRONZE, TIN PLATED
HOUSING: PC NOT GLASS FILLED
COLOUR - CLEAR
BUTTONS: PC NOT GLASS FILLED
COLOUR - RED AND RED

- 3 LASER MARKING:
 - KEMA
 - UL
 - TE LOGO
 - TE PART NUMBER
 - DATE CODE

- 4 LASER MARKING: IP x5/x7



SEALED/4	A=3.5 B=3.5	16/18 TO 16/18	ISET212005R0000	2213600-8
SEALING	WIRE ENTRY	WIRE SIZE	ENTRELEC PN	TE PN
DWN GOPALAKRISHNA HV 16JUL2020	ENTRELEC Electrical Solutions			
CHK IAN RIDGEWAY 16JUL2020				
APVD IAN RIDGEWAY 16JUL2020	NAME ISW15-15-L			
PRODUCT SPEC 108-133061	-			
APPLICATION SPEC 114-133061	-			
WEIGHT -	SIZE A3	CAGE CODE 00779	DRAWING NO ISET212005R0000	RESTRICTED TO -
CUSTOMER DRAWING			SCALE 2:1	SHEET 1 OF 3
			REV A	

THIS DRAWING IS A CONTROLLED DOCUMENT.
DIMENSIONING AND TOLERANCING PER ASME Y14.5M-2009.

DIMENSIONS:	TOLERANCES UNLESS OTHERWISE SPECIFIED:
mm	
	0 PLC ±-
	1 PLC ±0,2
	2 PLC ±0,2
	3 PLC ±-
	4 PLC ±-
	ANGLES ±-
MATERIAL -	FINISH -
-	-

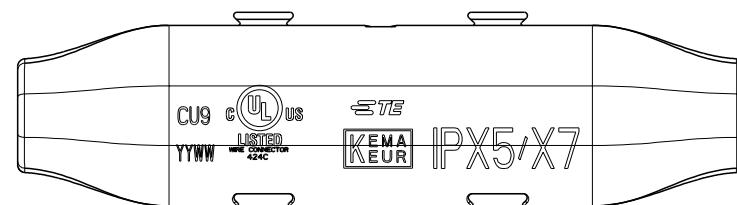
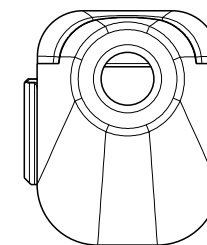
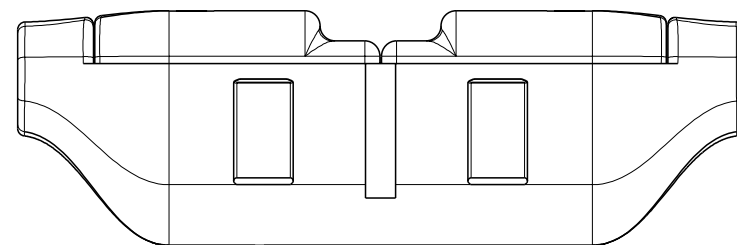
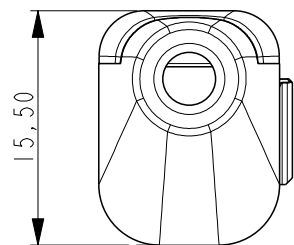
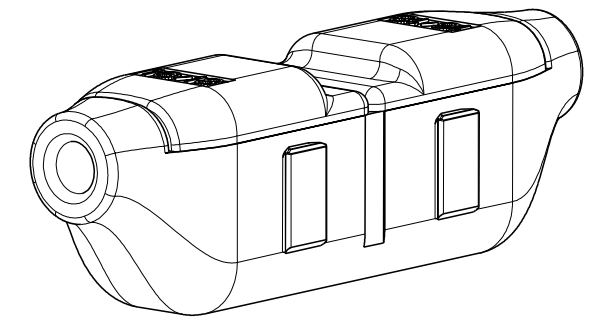
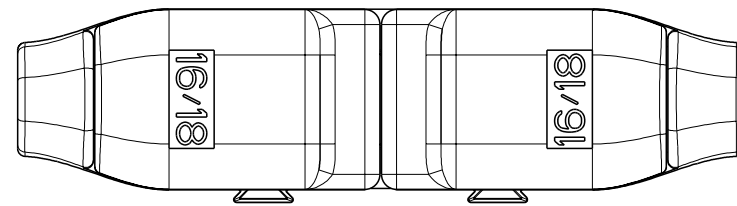
© -

REVISIONS

P	LTR	DESCRIPTION	DATE	DWN	APVD
-	-	SEE SHEET 1	-	-	-

DIMENSIONS AFTER APPLICATION

NOTE:
1. ISET212005R0000 AS SHOWN.



THIS DRAWING IS A CONTROLLED DOCUMENT.

DIMENSIONS: mm	TOLERANCES UNLESS OTHERWISE SPECIFIED:
	0 PLC ±-
	1 PLC ±0,2
	2 PLC ±0,2
	3 PLC ±-
	4 PLC ±-
	ANGLES ±-
MATERIAL	FINISH
-	-
-	-

DWN	16 JUL 2020
CHK	16 JUL 2020
APVD	16 JUL 2020
PRODUCT SPEC	108-133061
APPLICATION SPEC	114-133061
WEIGHT	-
CUSTOMER DRAWING	

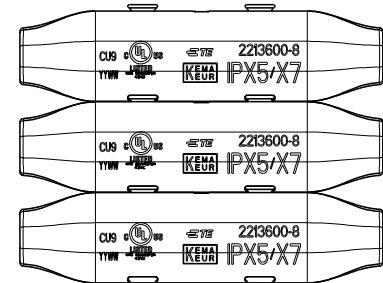
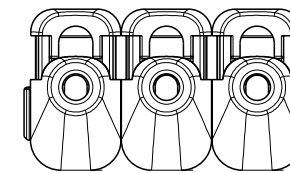
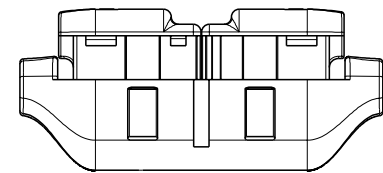
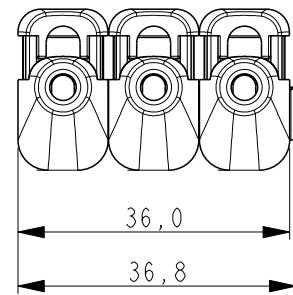
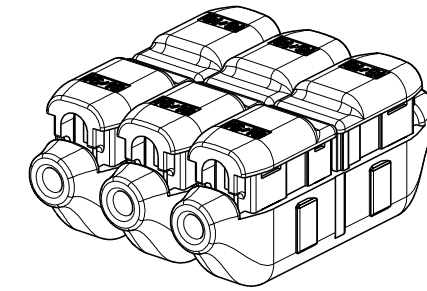
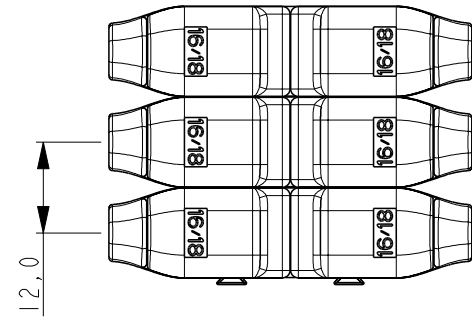
ENTRELEC Electrical Solutions			
NAME		ISW15-15-L	
SIZE	CAGE CODE	DRAWING NO	RESTRICTED TO
A3	00779	©-ISET212005R0000	-
SCALE		SHEET	REV
5:1		2 OF 3	A

© -

REVISIONS

P	LTR	DESCRIPTION	DATE	DWN	APVD
-	-	SEE SHEET 1	-	-	-

DIMENSIONS AFTER STACKING



THIS DRAWING IS A CONTROLLED DOCUMENT.

DIMENSIONS: mm	TOLERANCES UNLESS OTHERWISE SPECIFIED:
	0 PLC ±-
	1 PLC ±0,2
	2 PLC ±0,2
	3 PLC ±-
	4 PLC ±-
	ANGLES ±-
MATERIAL	FINISH
-	-
-	-

DWN	16 JUL 2020
CHK	16 JUL 2020
APVD	16 JUL 2020
PRODUCT SPEC	108-133061
APPLICATION SPEC	114-133061
WEIGHT	-
CUSTOMER DRAWING	

ENTRELEC Electrical Solutions			
NAME		ISW15-15-L	
SIZE	CAGE CODE	DRAWING NO	RESTRICTED TO
A3	00779	©-ISET212005R0000	-
SCALE		SHEET	REV
5:1		3 OF 3	A