

REVISIONS

P	LTR	DESCRIPTION	DATE	DWN	APVD
	A	NEW DRAWING	16JUL2020	GK	IR

DIMENSIONS BEFORE APPLICATION

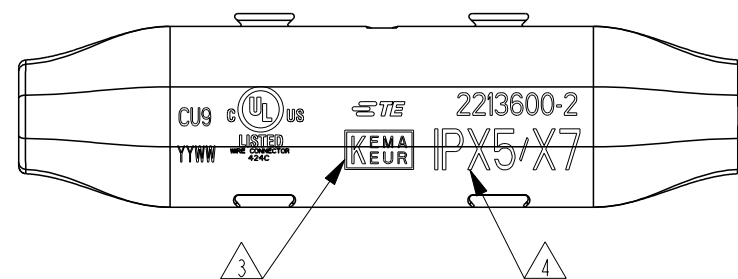
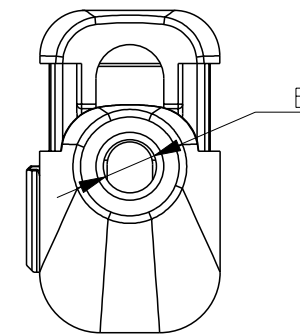
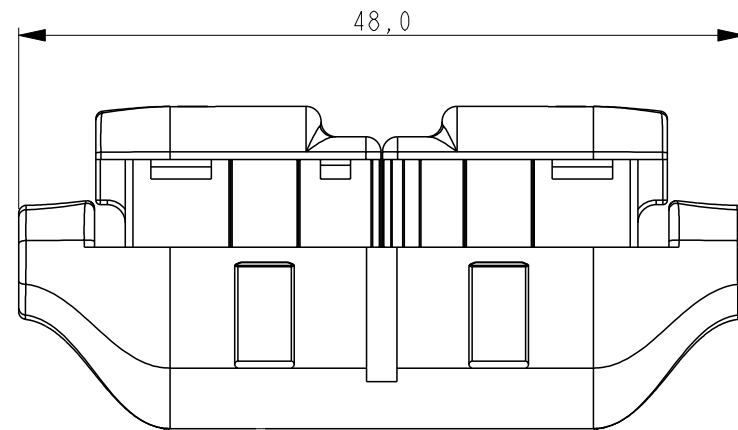
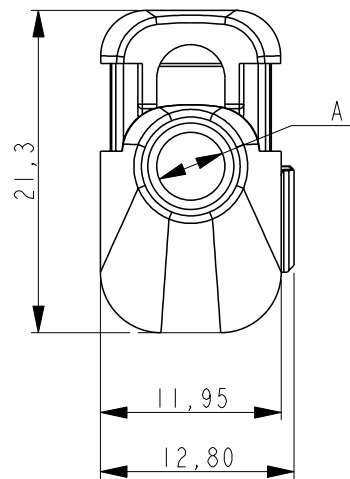
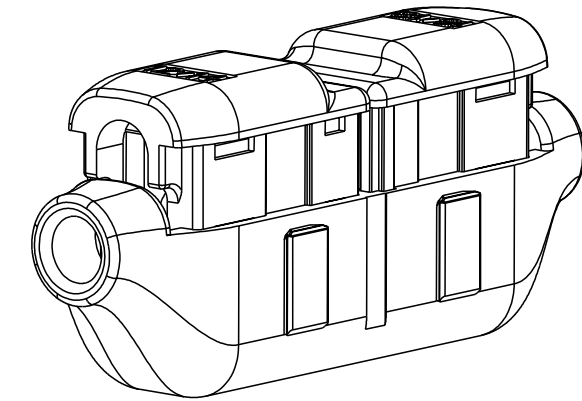
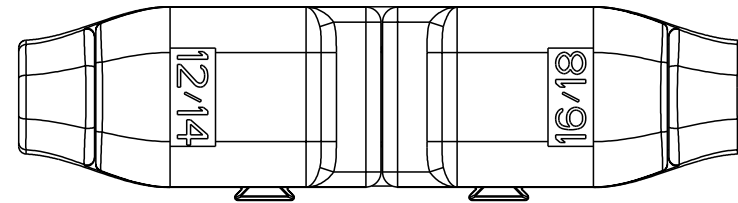
NOTES:

- 1. ISET212003R0000 AS SHOWN.
- 2. MATERIALS:

CONTACT: PHOSPHOR BRONZE, TIN PLATED
HOUSING: PC NOT GLASS FILLED;
COLOUR - CLEAR
BUTTONS: PC NOT GLASS FILLED;
COLOUR - YELLOW AND RED

- 3. LASER MARKING:
 - KEMA
 - UL
 - TE LOGO
 - TE PART NUMBER
 - DATE CODE

4. LASER MARKING: IP x5/x7



SEALED/4	A=4.5 B=3.5	12/14 TO 16/18	ISET212003R0000	2213600-2
SEALING	WIRE ENTRY	WIRE SIZE	ENTRELEC PN	TE PN

THIS DRAWING IS A CONTROLLED DOCUMENT.
DIMENSIONING AND TOLERANCING PER ASME Y14.5M-2009.

DIMENSIONS:	TOLERANCES UNLESS OTHERWISE SPECIFIED:
mm	
	±-
	±0,2
	±0,2
	±-
	±-
ANGLES	±-
MATERIAL	FINISH
-	-
-	-

DWN	16JUL2020	ENTRELEC Electrical Solutions		
CHK	16JUL2020			
APVD	16JUL2020			
NAME	IAN RIDGEWAY			
PRODUCT SPEC	108-133061	NAME ISW40-15-L		
APPLICATION SPEC	114-133061	RESTRICTED TO		
WEIGHT	-	SIZE	CAGE CODE	DRAWING NO
CUSTOMER DRAWING		A3	00779	©-ISET212003R0000
		SCALE	SHEET	REV
		2:1	1 OF 3	A

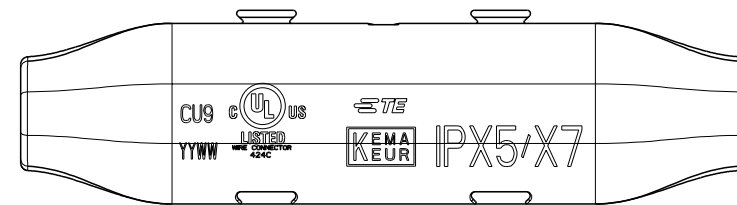
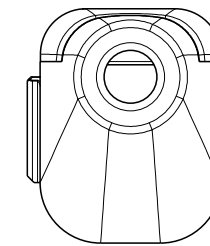
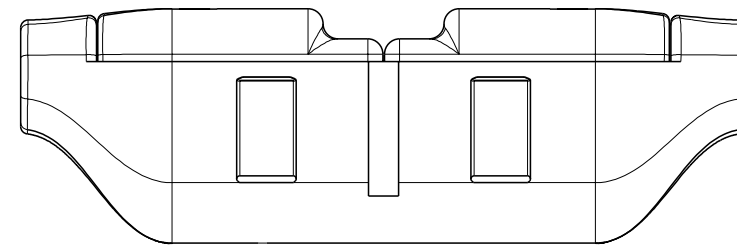
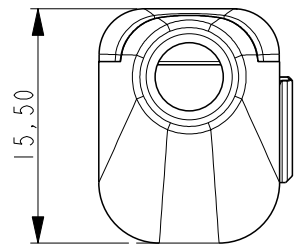
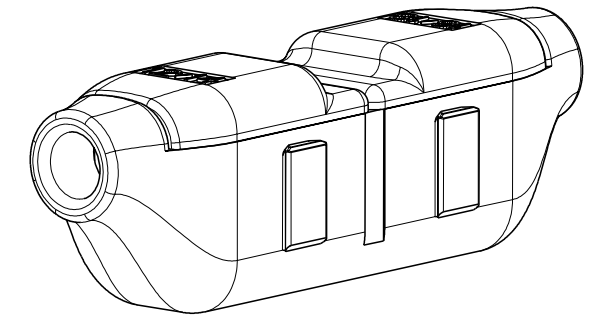
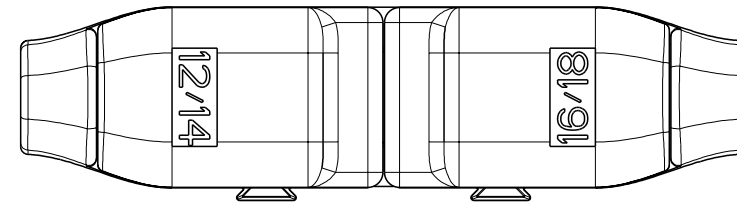
© -

REVISIONS

P	LTR	DESCRIPTION	DATE	DWN	APVD
-	-	SEE SHEET 1	-	-	-

DIMENSIONS AFTER APPLICATION

NOTE:
1. ISET212003R0000 AS SHOWN.



THIS DRAWING IS A CONTROLLED DOCUMENT.

DIMENSIONS: mm	TOLERANCES UNLESS OTHERWISE SPECIFIED:
	0 PLC ±-
	1 PLC ±0,2
	2 PLC ±0,2
	3 PLC ±-
	4 PLC ±-
	ANGLES ±-
MATERIAL	FINISH
-	-
-	-

DWN	16 JUL 2020
CHK	16 JUL 2020
APVD	16 JUL 2020
PRODUCT SPEC	108-133061
APPLICATION SPEC	114-133061
WEIGHT	-
CUSTOMER DRAWING	

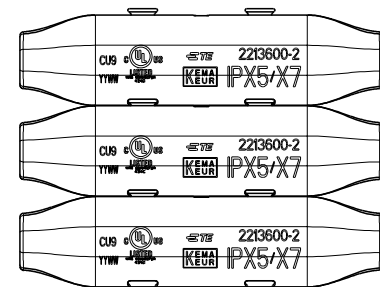
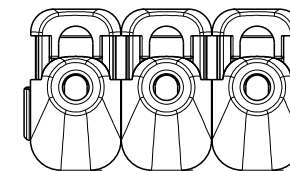
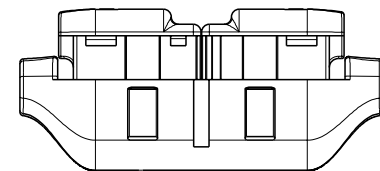
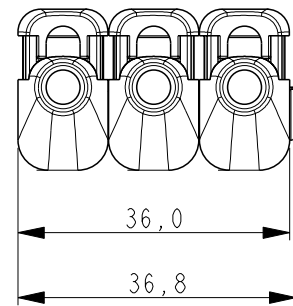
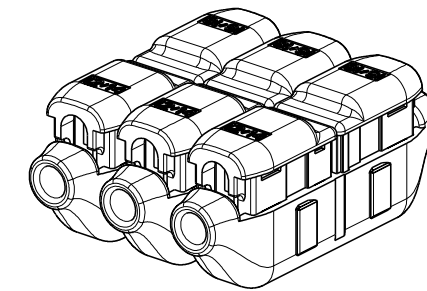
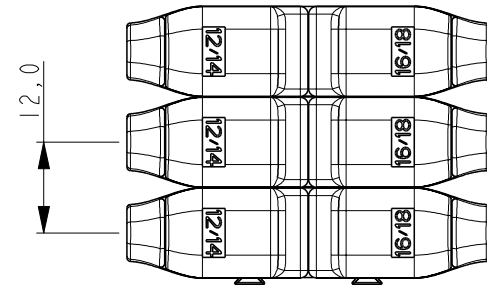
ENTRELEC Electrical Solutions			
NAME		ISW40-15-L	
SIZE	CAGE CODE	DRAWING NO	RESTRICTED TO
A3	00779	©-ISET212003R0000	-
SCALE		SHEET	REV
5:1		2 OF 3	A

© -

REVISIONS

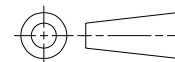
P	LTR	DESCRIPTION	DATE	DWN	APVD
-	-	SEE SHEET 1	-	-	-

DIMENSIONS AFTER STACKING



THIS DRAWING IS A CONTROLLED DOCUMENT.

DIMENSIONS:
mm



TOLERANCES UNLESS OTHERWISE SPECIFIED:

- 0 PLC ±-
- 1 PLC ±0,2
- 2 PLC ±0,2
- 3 PLC ±-
- 4 PLC ±-
- ANGLES ±-

MATERIAL

-

FINISH

-

DWN 16 JUL 2020

GOPALAKRISHNA HV

CHK 16 JUL 2020

IAN RIDGEWAY

APVD 16 JUL 2020

IAN RIDGEWAY

PRODUCT SPEC

108-133061

APPLICATION SPEC

114-133061

WEIGHT

-

ENTRELEC
Electrical Solutions

NAME
ISW40-15-L

-

SIZE

A3

CAGE CODE

00779

DRAWING NO

©-ISET212003R0000

RESTRICTED TO

-

CUSTOMER DRAWING

SCALE

5:1

SHEET 3 OF 3

REV A