

© -

REVISIONS

P	LTR	DESCRIPTION	DATE	DWN	APVD
	A	NEW DRAWING	16JUL2020	GK	IR

NOTES:

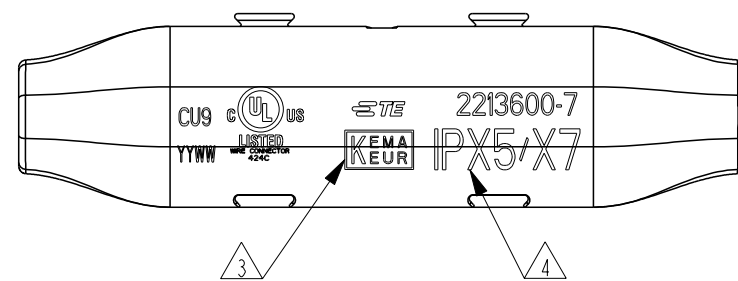
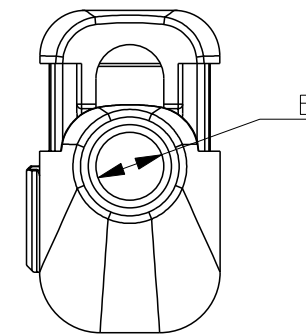
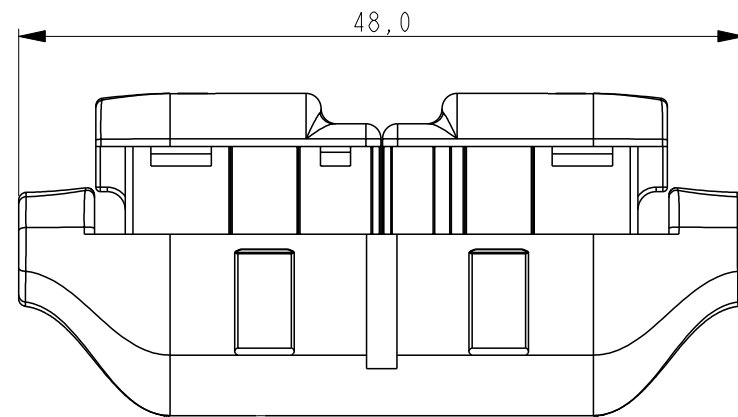
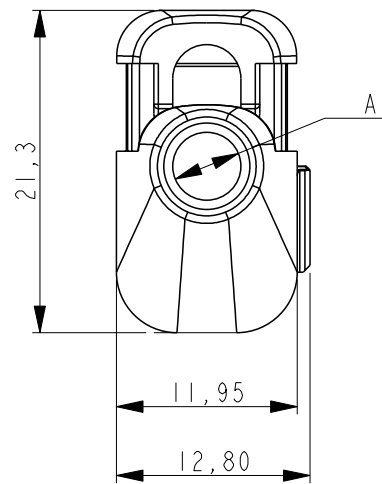
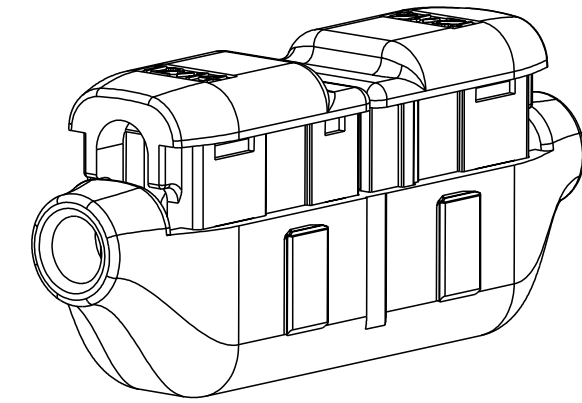
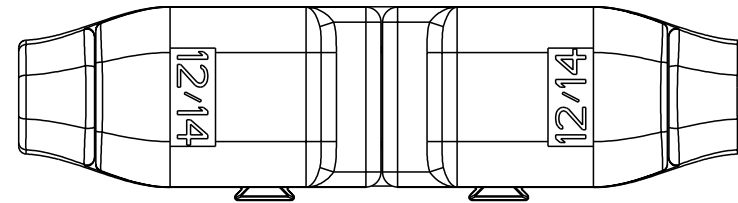
1. ISET212001R0000 AS SHOWN.
2. MATERIALS:

CONTACT: PHOSPHOR BRONZE, TIN PLATED  
HOUSING: PC NOT GLASS FILLED;  
COLOUR - CLEAR  
BUTTONS: PC NOT GLASS FILLED;  
COLOUR - YELLOW AND YELLOW

- 3 LASER MARKING:
- KEMA
  - UL
  - TE LOGO
  - TE PART NUMBER
  - DATE CODE

- 4 LASER MARKING: IP x5/x7

DIMENSIONS BEFORE APPLICATION



SEALED/4	A=4.5 B=4.5	12/14 TO 12/14	ISET212001R0000	2213600-7
SEALING	WIRE ENTRY	WIRE SIZE	ENTRELEC PN	TE PN

THIS DRAWING IS A CONTROLLED DOCUMENT.  
DIMENSIONING AND TOLERANCING PER ASME Y14.5M-2009.

DIMENSIONS:	TOLERANCES UNLESS OTHERWISE SPECIFIED:
mm	
	0 PLC ±-
	1 PLC ±0,2
	2 PLC ±0,2
	3 PLC ±-
	4 PLC ±-
	ANGLES ±-
MATERIAL	FINISH
-	-
-	-

DWN	16JUL2020	<b>ENTRELEC</b> Electrical Solutions			
CHK	16JUL2020				
APVD	16JUL2020				
NAME	IAN RIDGEWAY				
PRODUCT SPEC	108-133061	NAME ISW40-40-L			
APPLICATION SPEC	114-133061	-			
WEIGHT	-	SIZE	CAGE CODE	DRAWING NO	RESTRICTED TO
CUSTOMER DRAWING	-	A3	00779	©-ISET212001R0000	-
		SCALE	SHEET	OF	REV
		2:1	1	3	A

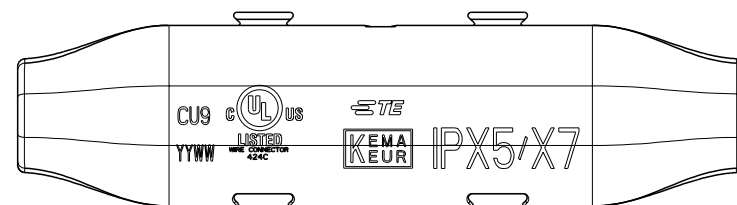
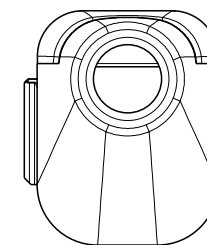
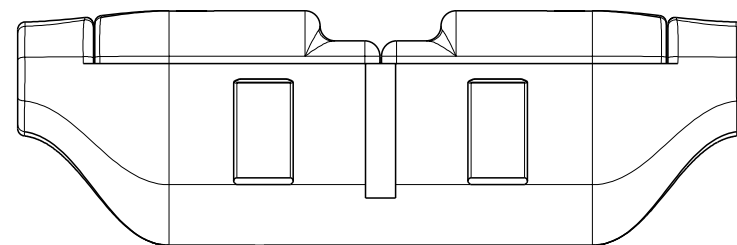
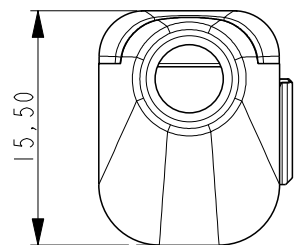
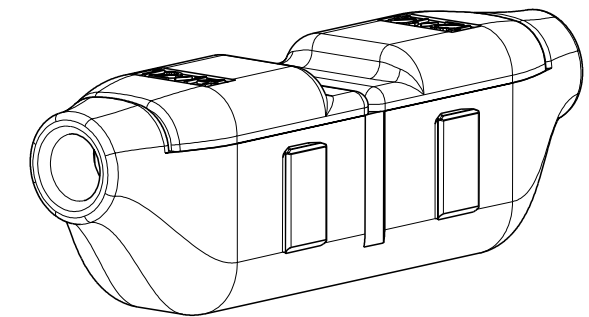
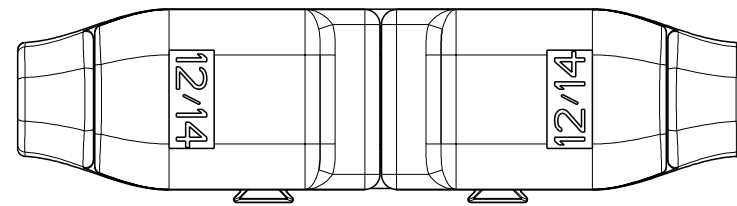
© -

REVISIONS

P	LTR	DESCRIPTION	DATE	DWN	APVD
-	-	SEE SHEET 1	-	-	-

DIMENSIONS AFTER APPLICATION

NOTE:  
1. ISET212001R0000 AS SHOWN.



THIS DRAWING IS A CONTROLLED DOCUMENT.

DIMENSIONS: mm	TOLERANCES UNLESS OTHERWISE SPECIFIED:
	0 PLC ±-
	1 PLC ±0,2
	2 PLC ±0,2
	3 PLC ±-
	4 PLC ±-
	ANGLES ±-
MATERIAL	FINISH
-	-
-	-

DWN	16 JUL 2020
CHK	16 JUL 2020
APVD	16 JUL 2020
PRODUCT SPEC	108-133061
APPLICATION SPEC	114-133061
WEIGHT	-
CUSTOMER DRAWING	

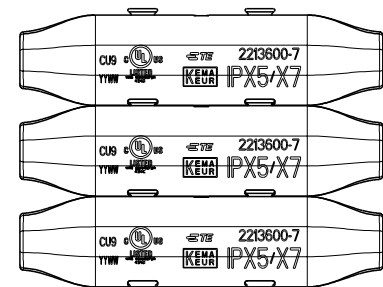
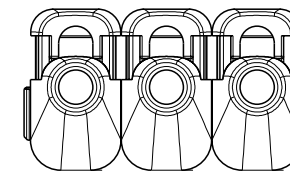
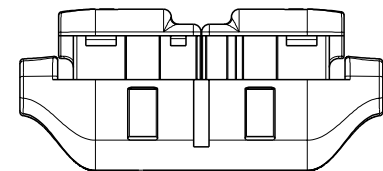
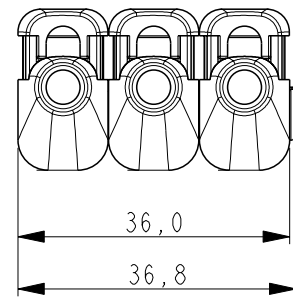
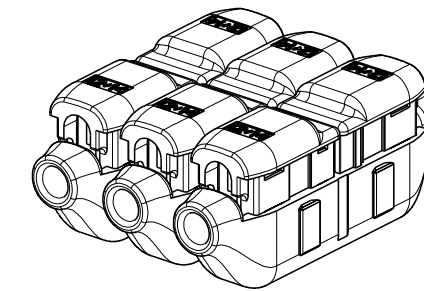
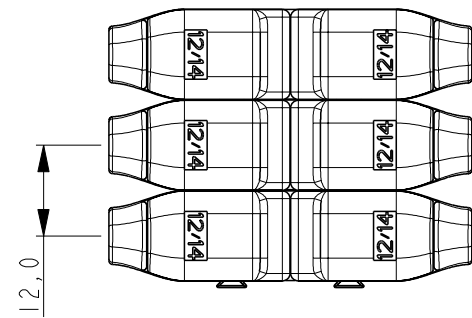
<b>ENTRELEC</b> Electrical Solutions			
NAME		ISW40-40-L	
SIZE	CAGE CODE	DRAWING NO	RESTRICTED TO
A3	00779	©-ISET212001R0000	-
SCALE		SHEET	REV
5:1		2 OF 3	A

© -

REVISIONS

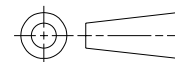
P	LTR	DESCRIPTION	DATE	DWN	APVD
-	-	SEE SHEET 1	-	-	-

DIMENSIONS AFTER STACKING



THIS DRAWING IS A CONTROLLED DOCUMENT.

DIMENSIONS:  
mm



TOLERANCES UNLESS OTHERWISE SPECIFIED:

0 PLC	±-
1 PLC	±0,2
2 PLC	±0,2
3 PLC	±-
4 PLC	±-
ANGLES	±-

MATERIAL  
-

FINISH  
-

DWN 16 JUL 2020  
GOPALAKRISHNA HV  
CHK 16 JUL 2020  
IAN RIDGEWAY  
APVD 16 JUL 2020  
IAN RIDGEWAY

PRODUCT SPEC  
108-133061  
APPLICATION SPEC  
114-133061

WEIGHT  
-

**ENTRELEC**  
Electrical Solutions

NAME  
ISW40-40-L

SIZE A3	CAGE CODE 00779	DRAWING NO C-1SET212001R0000	RESTRICTED TO -
------------	--------------------	---------------------------------	--------------------

CUSTOMER DRAWING SCALE 5:1 SHEET 3 OF 3 REV A