
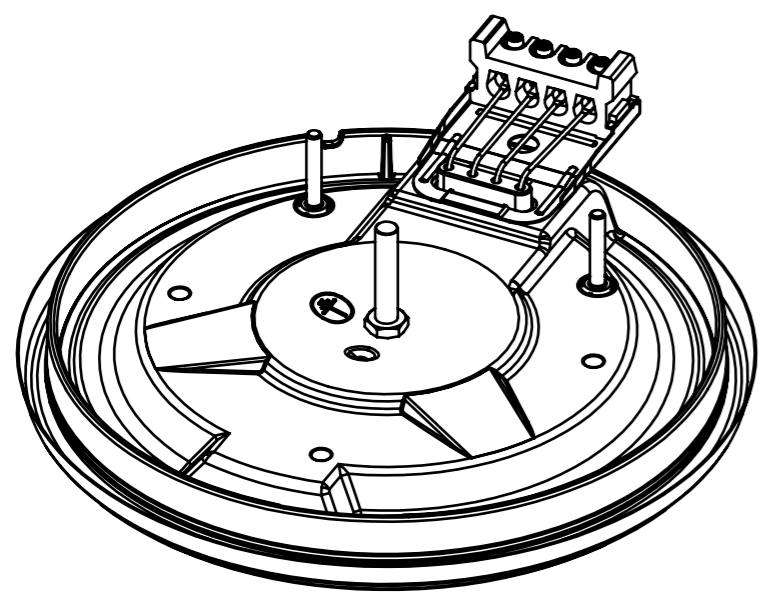
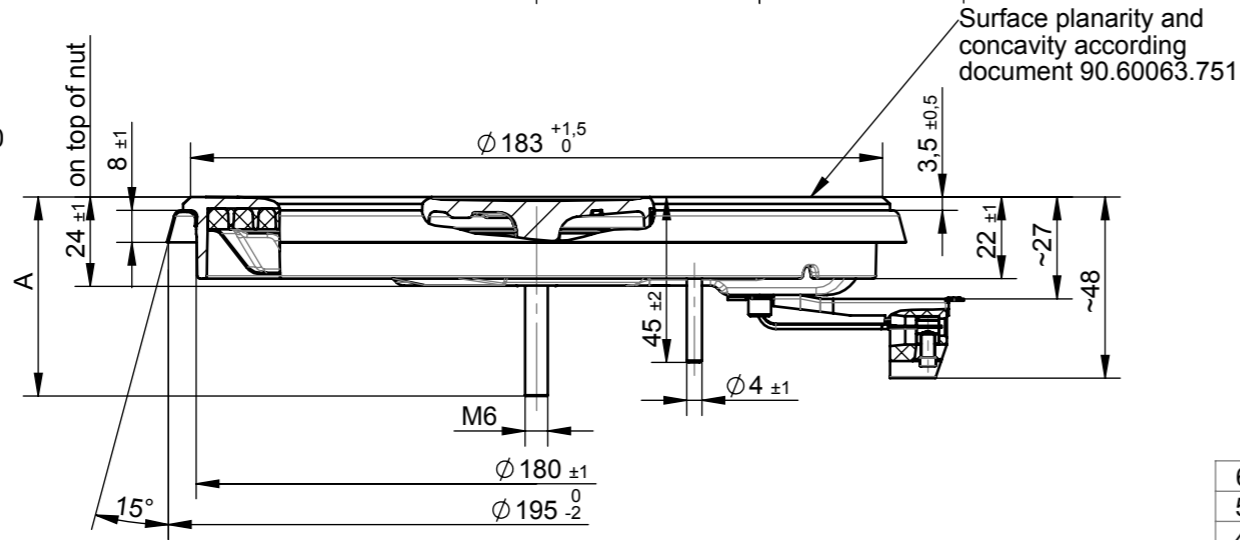
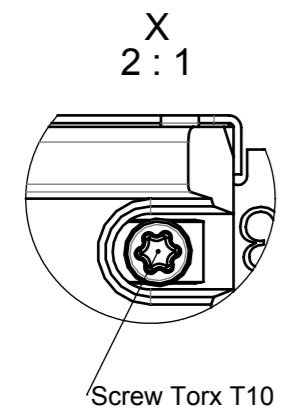
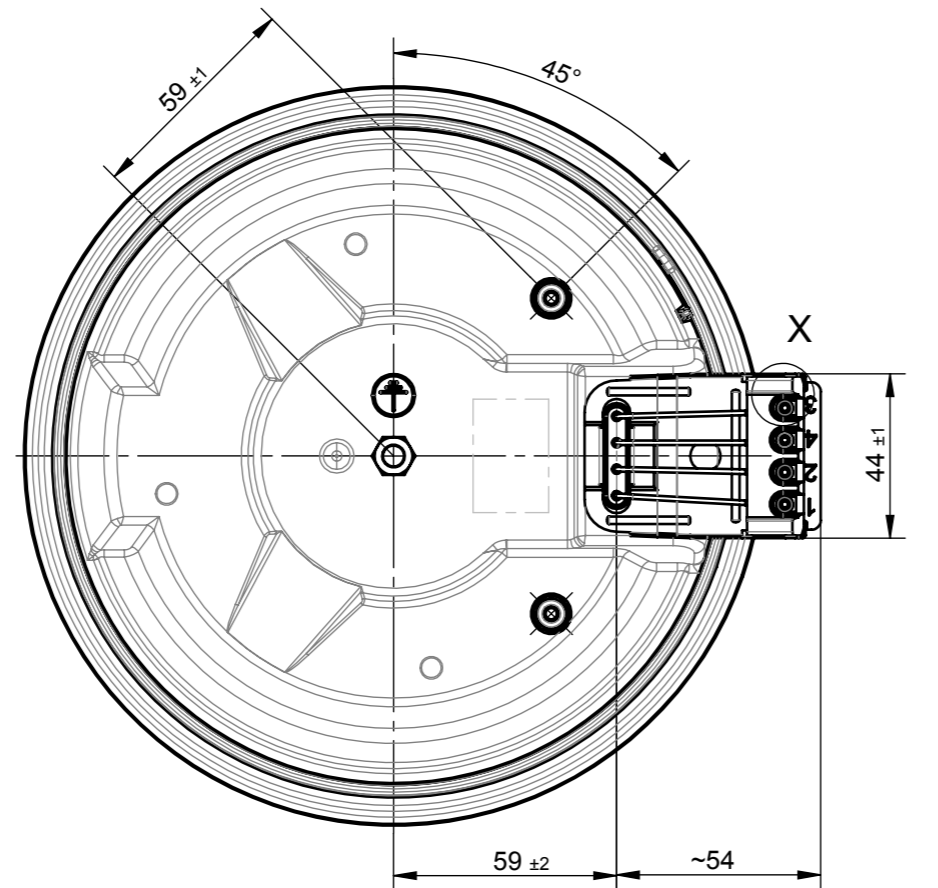


Doc.ID C00004906-011-01-A Doc. status 230 | released
 View date 2017-02-28 Viewed by DECONSOD
 Art.ID 18.18453.002-00/00A SAP Status 2F

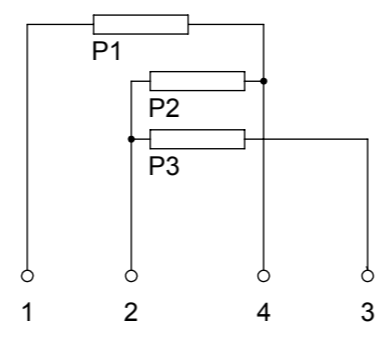

 18.18453.001
 1500W 400V
 11 210 11 44

Voltage marking
 230 V without
 240 V blue
 400 V red
 other green

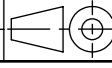
General usage and
 safety information for
 hotplates see
 document 90.60027.135



Wiring diagram



6	18.18453.215	1500	100	500	275	725	1500	1000	725	275	200	145	X	X		53±3
5	18.18453.132	1200	230	230	290	680	1200	1000	700	300	200	100	X	X		53±3
4	18.18453.102	1000	230	490	200	310	1000	520	325	210	125	100	X	X		53±3
3	18.18453.003	1500	240	500	275	725	1500	1000	725	275	200	145	X	X	X	53±3
2	18.18453.002	1500	230	500	275	725	1500	1000	725	275	200	145	X	X		53±3
1	18.18453.001	1500	400	500	275	725	1500	1000	725	275	200	145	X	X		53±3

Pos	Type	Power	Voltage	Rated power			Switch positions					ECO	o'E	RA	Appro.	"A" in mm	
		W	V	P1	P2	P3	6	5	4	3	2	1					
This document is exclusively committed to you for the agreed purpose. Any kind of duplication, utilization or communication of its content is prohibited, if not expressly conceded otherwise. Violators are committed to pay compensations. Any claims of existing or future property rights remain unaffected.												Blank No. EN Mat.No.		Scale Unit mm			
												Material		Scale 1:2			
												Surface Texture ISO 1302					
												General Tolerances ISO 2768-ck					
				CAD	Date	Name	Designation										
1 A01778				2016-10-03	2016-09-14	MAKUCJ	EGO Hotplate 180										
Cha. Information No.		Date		Proc.													
A01765		2016-08-17		2016-09-14	MAKUCJ												
F.Rel.		A01765		2016-08-17	2016-09-30	LAPANJAA											
Origin										Repl.for			Repl.by			Ref.	



Drawing No. C00004906
 Sh.No. 011 Ver. 01 Stat. F
 Sheets Doc. Ex.Doc.