

# RGB LED controller with RF remote control 12Vdc 3x8A 288W

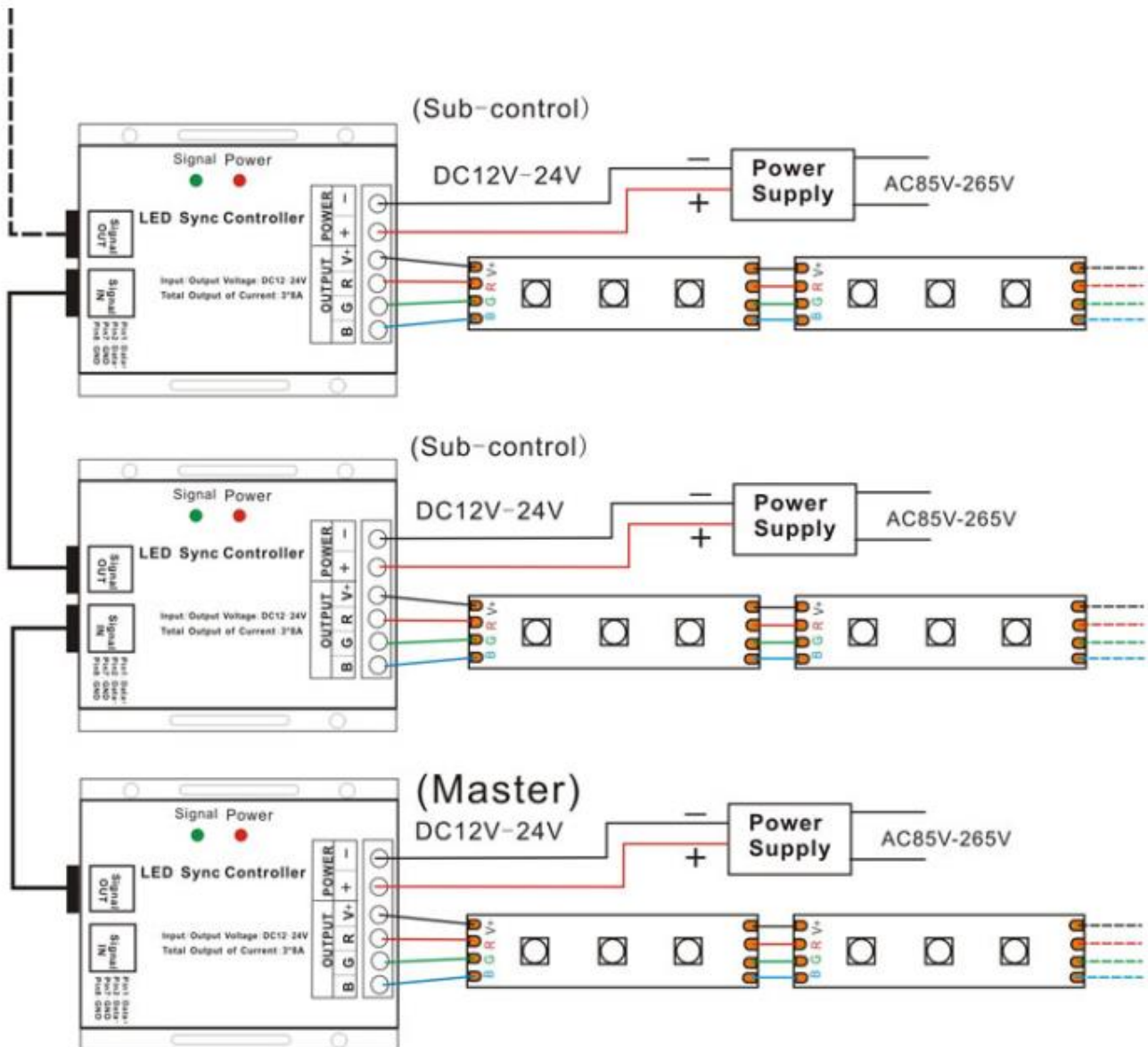
## RF-CONT-RGB-24



### Product description

1. It is suitable for all kinds of the constant voltage LED lamps.
2. Adopted full touch RF remote control, 5 function buttons and 1 color ring in the center, All buttons are in the touch form, the color ring has 128 levels in different colors.
3. There is a sense light ring in the remote controls center. It shows the colors when different colors are touched. As the LED lamps are the same color.
4. There are 9 modes of the mode button. 2 white static colors and 7 dynamic modes. The brightness of all static color and the speed of all dynamic modes are adjustable.
5. The output current is 8A/channel, in order to achieve the synchronization of more lamps, can use the internet cable to make them in series connection easily.

## Wiring diagram



## Specifications

Working temperature	-20-60°C
Supply voltage	DC5V, 12V~24V optional (specify the required voltage on orders)
Output	3 channels
Connecting mode	common anode/cathode optional (specify the required voltage on orders)
External dimension	L91*W88*H24 mm
Packing size	L106*W106*H66 mm
Net weight	330g
Gross weight	360g
Static power consumption	<1W
Output current	<8A(each channel)
Output power	5V:<120W, 12V:<288W, 24V:<576W

## Standard Mode

Name of key	Instruction	Remarks
ON/OFF	ON or OFF in any time	
Pause	Pause or Continue	
Mode	The mode will go to next, when you touch the key each time	9 modes in total.
Speed/Brightness +	The Speed/Brightness will add, when you touch the key each time	Speed for dynamic modes, Brightness for static modes.
Speed/Brightness -	The Speed/Brightness will subtract, when you touch the key each time	Speed for dynamic modes, Brightness for static modes.
Color Ring	Touch any color which you want	